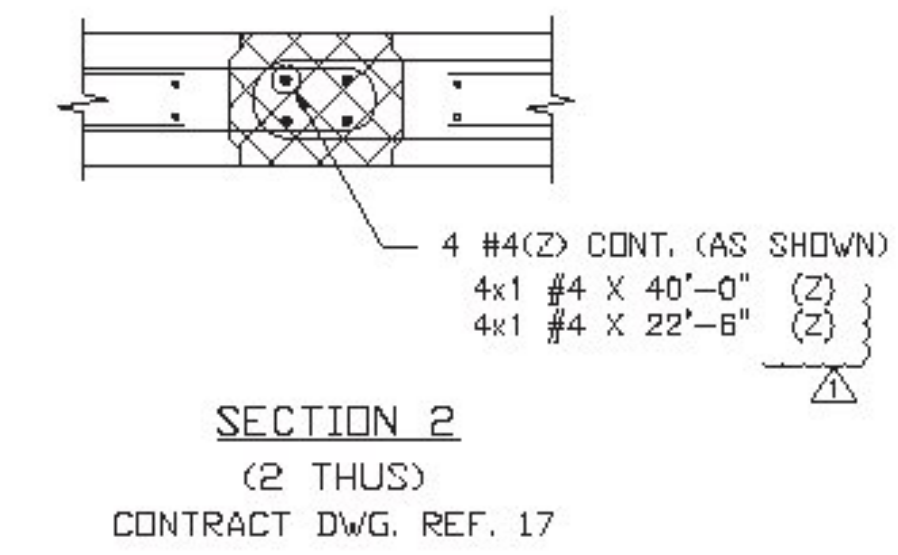
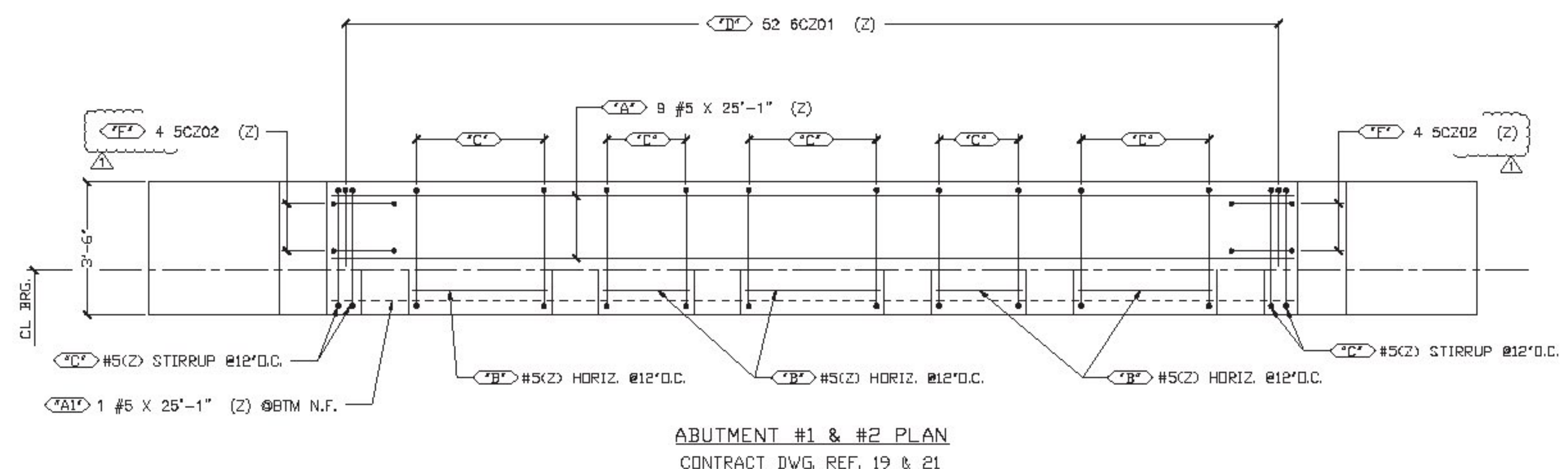
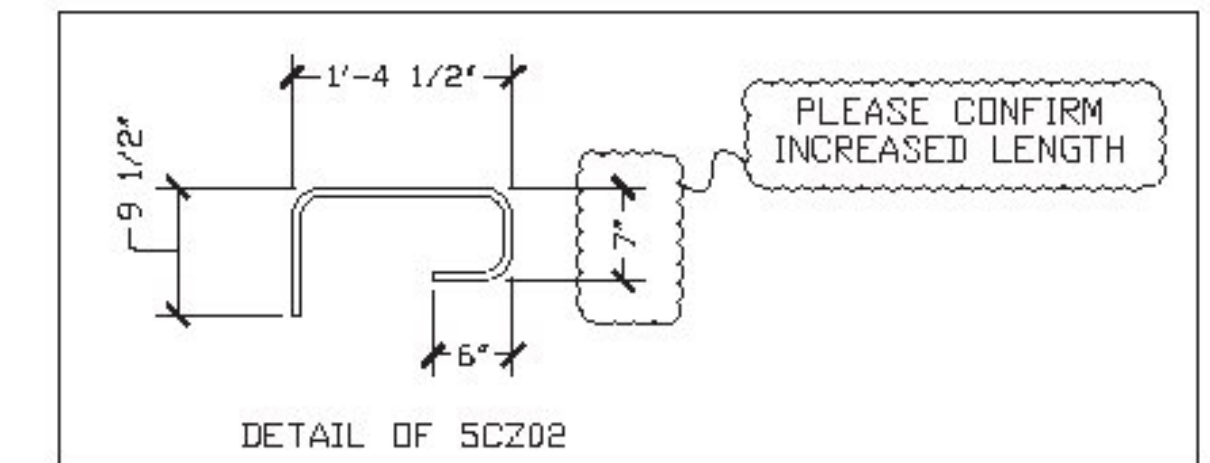
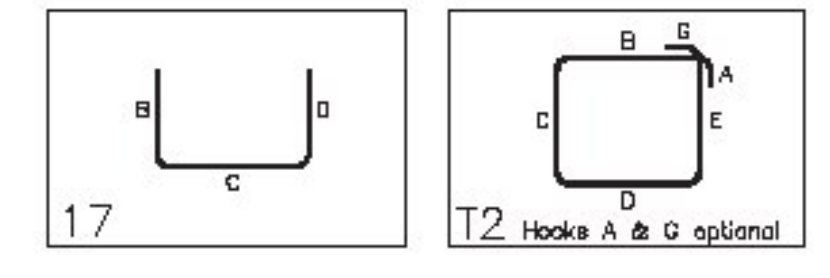


Release Number: _____

BAR LIST				BAR LIST												
Bar Mark	Qty	Size	Total Length	Type	'A'	'B'	'C'	'D'	'E'	'F'	'G'	'H'	'J'	'K'	'O'	'R'
5C201	54	#5	6'-2"	T2		1'-7"	3'-0"	1'-7"								
5C202	16	#5	3'-3"	T2		0'-9 1/2"	1'-4 1/2"	0'-7"	0'-6"							
6C201	104	#6	4'-0"	T2		2'-0"	2'-0"									



BAR MARKS MAY CHANGE, DUE TO REVISIONS

LEGEND:
CONT.-CONTINUOUS
TRANS.-TRANSVERSE
D.W.S.-DOWELS
VERTS.-VERTICAL
HORIZ.-HORIZONTAL
T&B -TOP & BOTTOM
I.F.-INNER FACE
O.F.-OUTER FACE
E.E.-EACH END
E.F.-EACH FACE
N.F.-NEAR FACE
F.F.-FAR FACE
E.W.-EACH WAY
O.C.-ON CENTER
L.W.-LONG WAY
S.W.-SHORT WAY

FOR APPROVAL

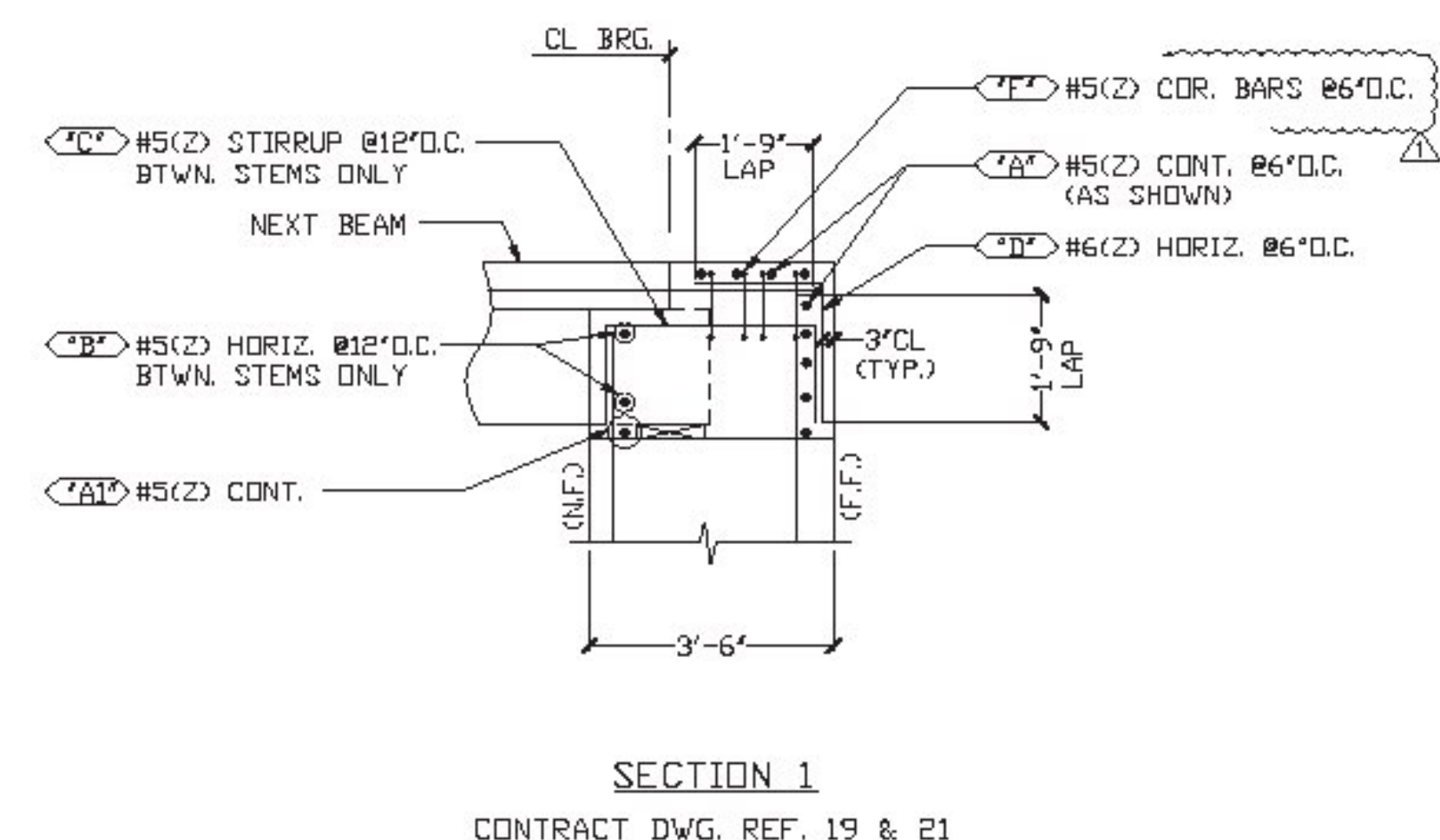
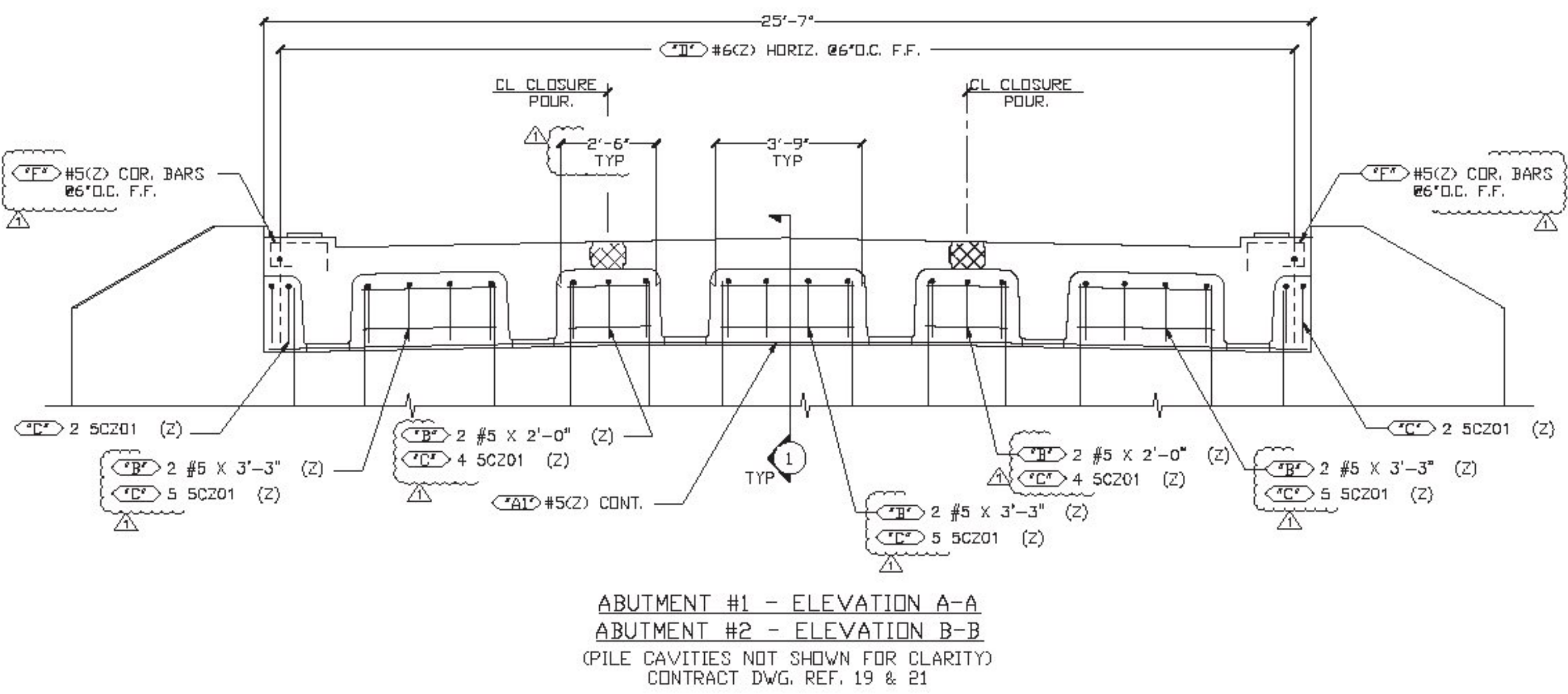
LAP CHART	
#4	2'-2" (U.N.)
#5	2'-7" (U.N.)
#6	3'-5" (U.N.)

ALL REINFORCING BARS
LEVEL II - DUAL COATED

ELEVATIONS & DIMENSIONS SHOWN ON THIS DWG. ARE FOR REINFORCING BARS ONLY AND ARE NOT INTENDED FOR DIMENSIONAL CONSTRUCTION.

DUAL COATED REINFORCING BARS ASTM A615 GRADE 60, MARKED (Z)

VERIFICATION OF UNCLEAR INFORMATION MAY BE REQUESTED ON THIS DRAWING. SHOULD VERIFICATION BE LEFT UN-ADDRESSED IT WILL REMAIN AS SHOWN AND ASSUME TO BE CORRECT.



Vermont Agency of Transportation
RECEIVED
CK'D BY JS OK'D BY GL
February 27, 2015
RESUBMIT NO Approved
BY KH DATE 3-2-2015

NO.	DATE	REVISION	SENT FOR
2	2/27/15	REVISED PER APPROVAL	
1	1/23/15	FOR APPROVAL	

DATE: 1/23/15 REV.#: SENT FOR:

DIMENSION
DIMENSION FABRICATORS INC. 2000 7TH STREET
SCOTLAND, N.Y. 12586
PH: (518) 574-1538 FAX: (518) 574-4800
www.dimensionfabricators.com

STRUCTURE: VT/ACT CAMBRIDGE BRO 144B(39)

LOCATION: CAMBRIDGE, VERMONT

OWNER: BLOW & COTE, INC.

DRAWN BY: KRIS J DATE: 1/23/15 DWG.#: 9127

CHECKED BY: DATE: DWG.#:

CLOSURE POURS C