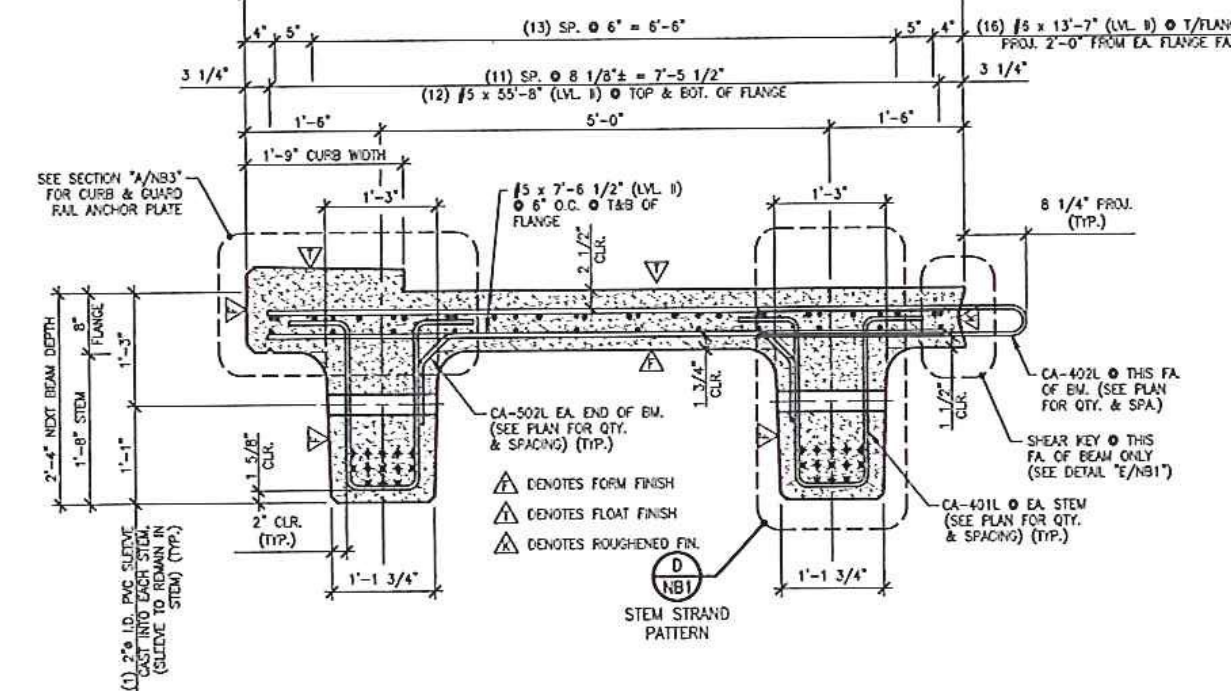
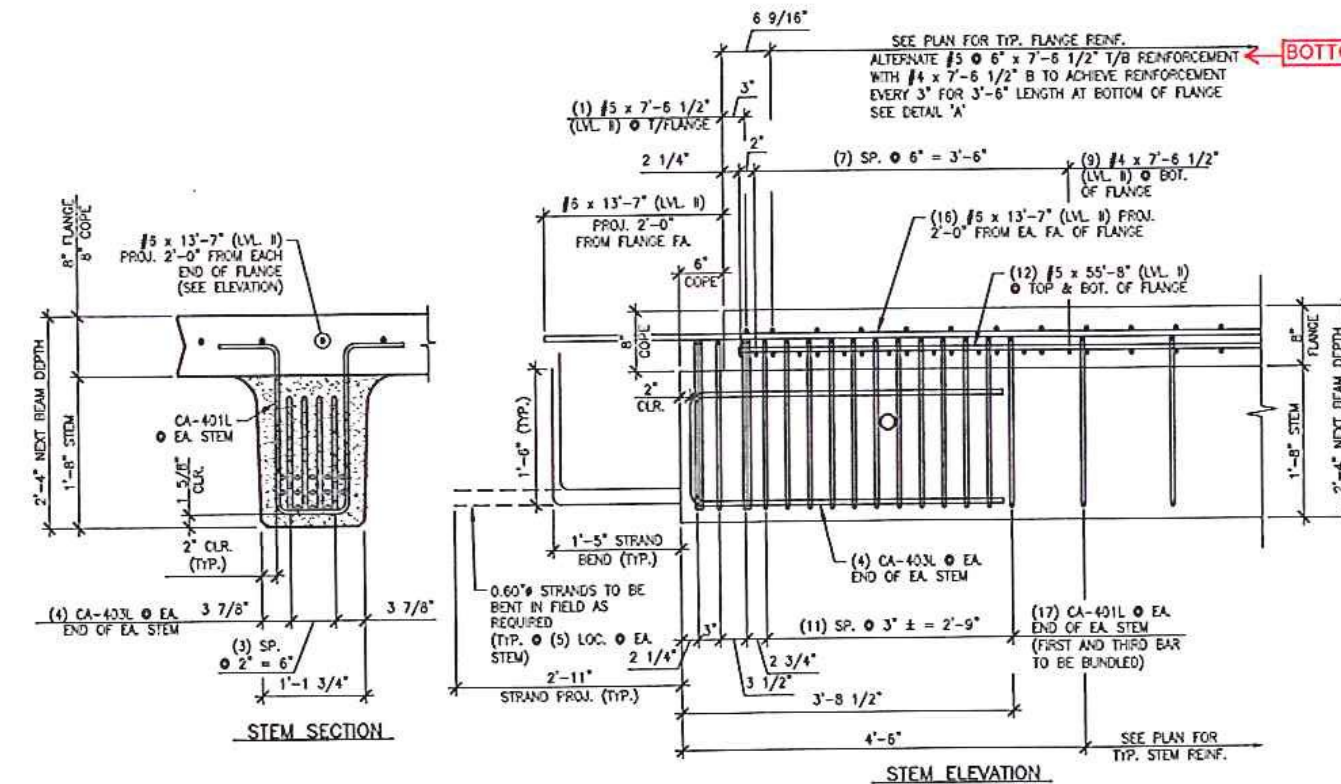


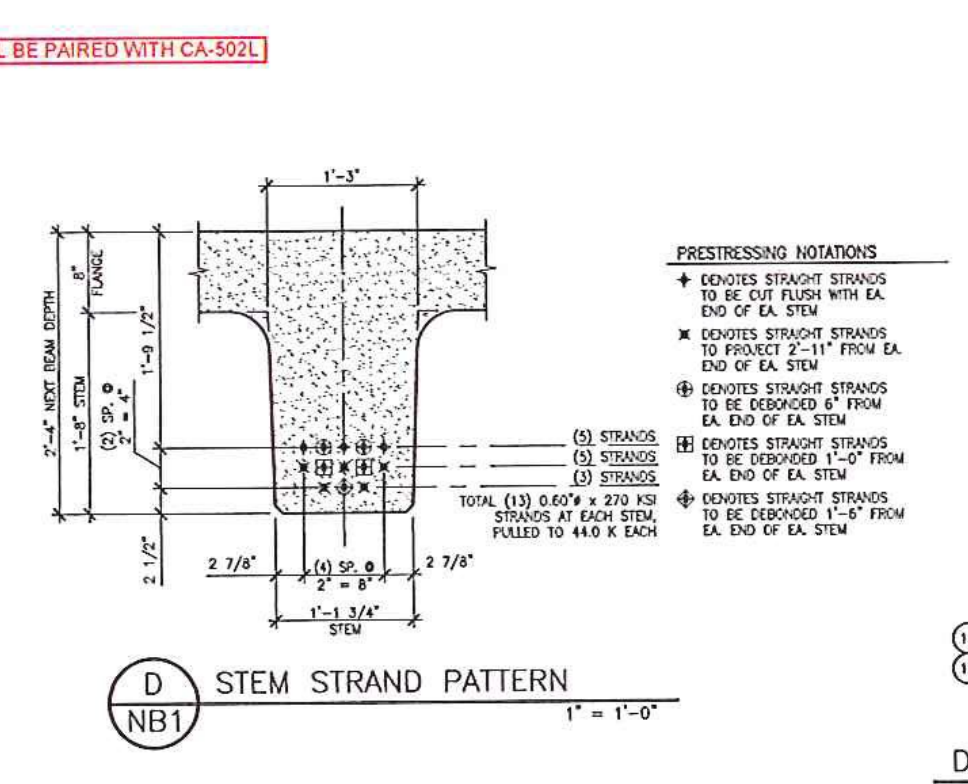
**A** DIMENSIONAL & REINFORCING SECTION  
NB1 3/4" = 1'-0"



**B** DIMENSIONAL & REINFORCING SECTION  
NB1 3/4" = 1'-0"



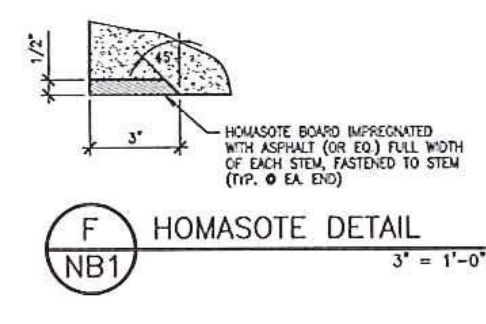
**C** END BLOCK STEM REINFORCING DETAILS  
NB1 3/4" = 1'-0"



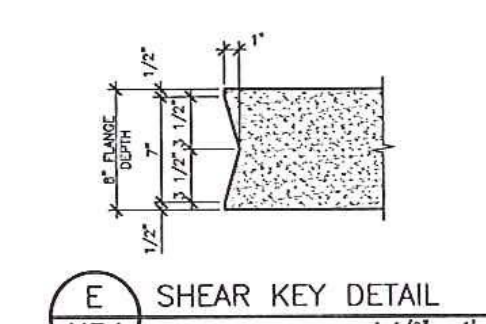
**D** STEM STRAND PATTERN  
NB1 1" = 1'-0"

**DETENSIONING SCHEDULE**

(1) #5 @ 12"	(2) #5 @ 12"	(3) #5 @ 12"	(4) #5 @ 12"
(5) #5 @ 12"	(6) #5 @ 12"	(7) #5 @ 12"	(8) #5 @ 12"
(9) #5 @ 12"	(10) #5 @ 12"	(11) #5 @ 12"	(12) #5 @ 12"



**F** HOMASOTE DETAIL  
NB1 3" = 1'-0"



**E** SHEAR KEY DETAIL  
NB1 1 1/2" = 1'-0"

APPROVAL STAMP: **RECEIVED** Vermont Agency of Transportation  
 CK'D BY GL OK'D BY JS  
 May 18, 2015  
 RESUBMIT NO Approved AsNoted  
 BY KH DATE 05/19/2015

05-7-15 REMOVED CROWN FROM NEXT BEAM.  
 01-20-15 REVISED

**J.P. CARRARA & SONS INC.**  
 Precast & Prestress Manufacturer  
 444 US ST. WASHINGTON VERMONT 05691 PHONE: (802) 241-4341 FAX: (802) 241-4343

**BLOW & COFF, INC.**  
 CONTRACTOR  
 MORRISVILLE, VERMONT

STATE OF VERMONT AGENCY OF TRANSPORTATION  
 COUNTY OF LAMOLLE  
 TOWN OF CAMBRIDGE  
 IRISH SETTLEMENT ROAD T.H.48 CLASS 3  
 BRIDGE NO.: 28 PROJECT NO.: BRD 1448(30)

DATE: JUN. 28, 2015  
 SCALE: NOTED  
 CHKD: RM DFTM: PSS  
 JOB NO: 23447-014  
 DWG. NO: NB1

Submitted 5-15-15  
 J.P. Carrara & Sons, Inc.  
 Morrisville, VT 05651