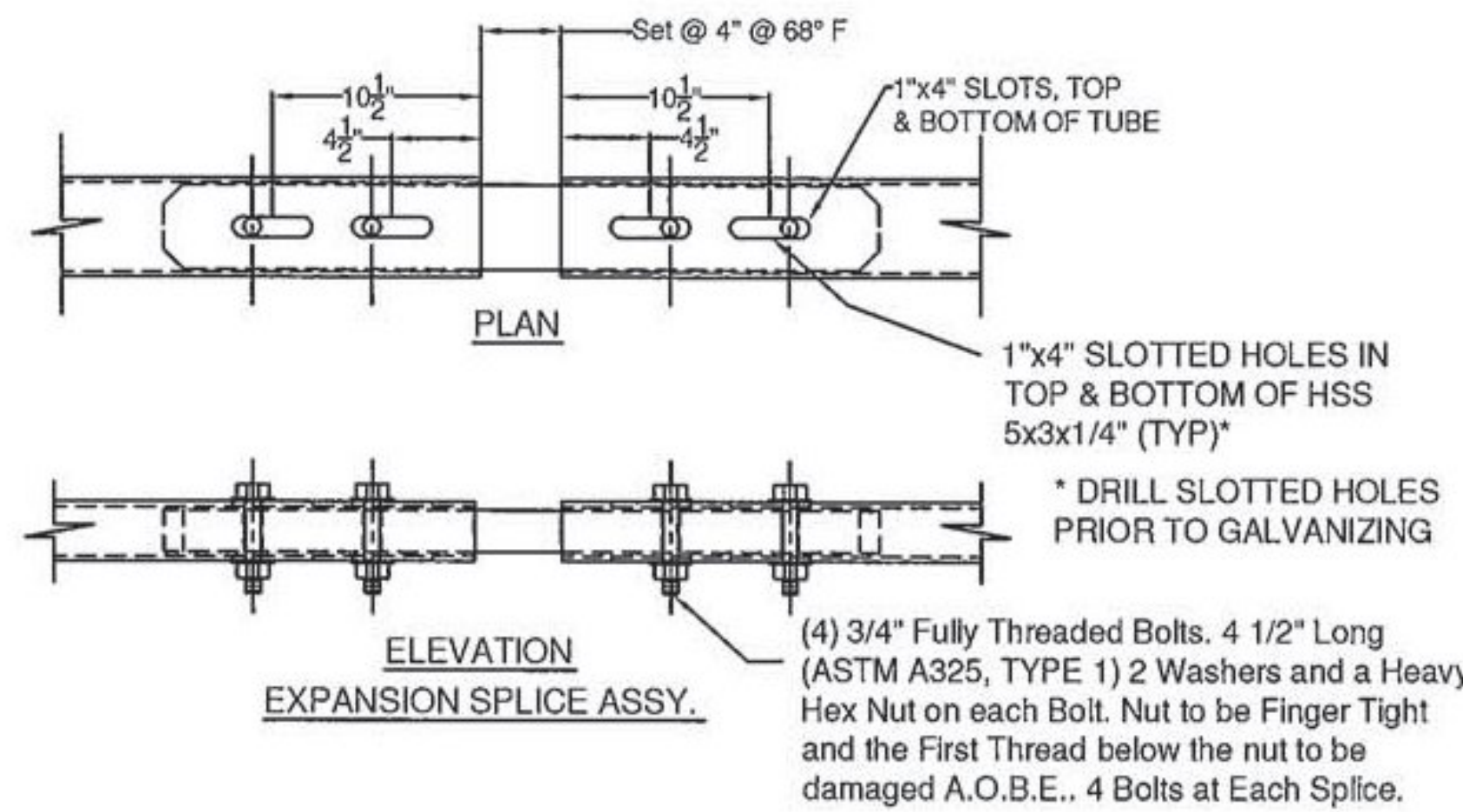
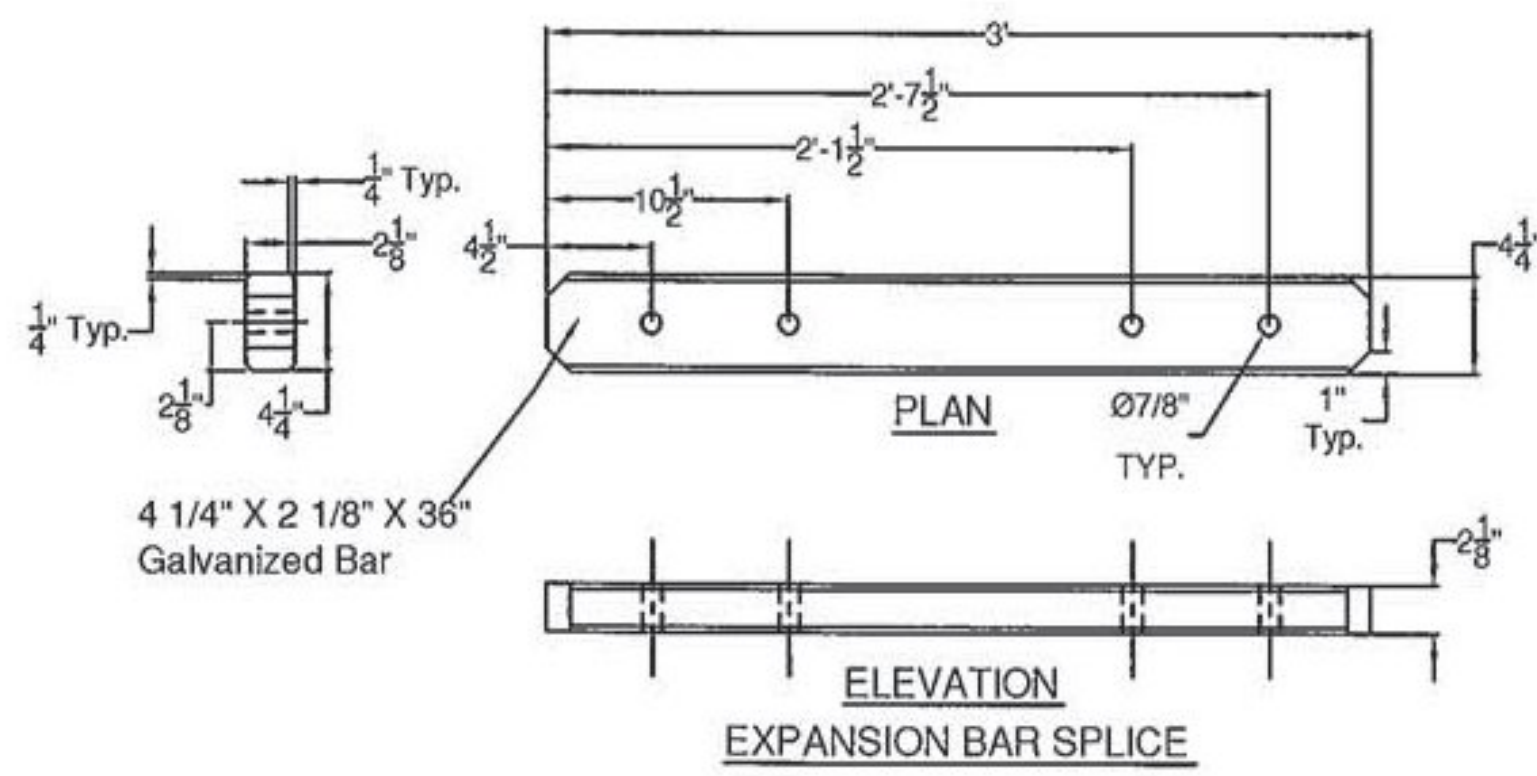
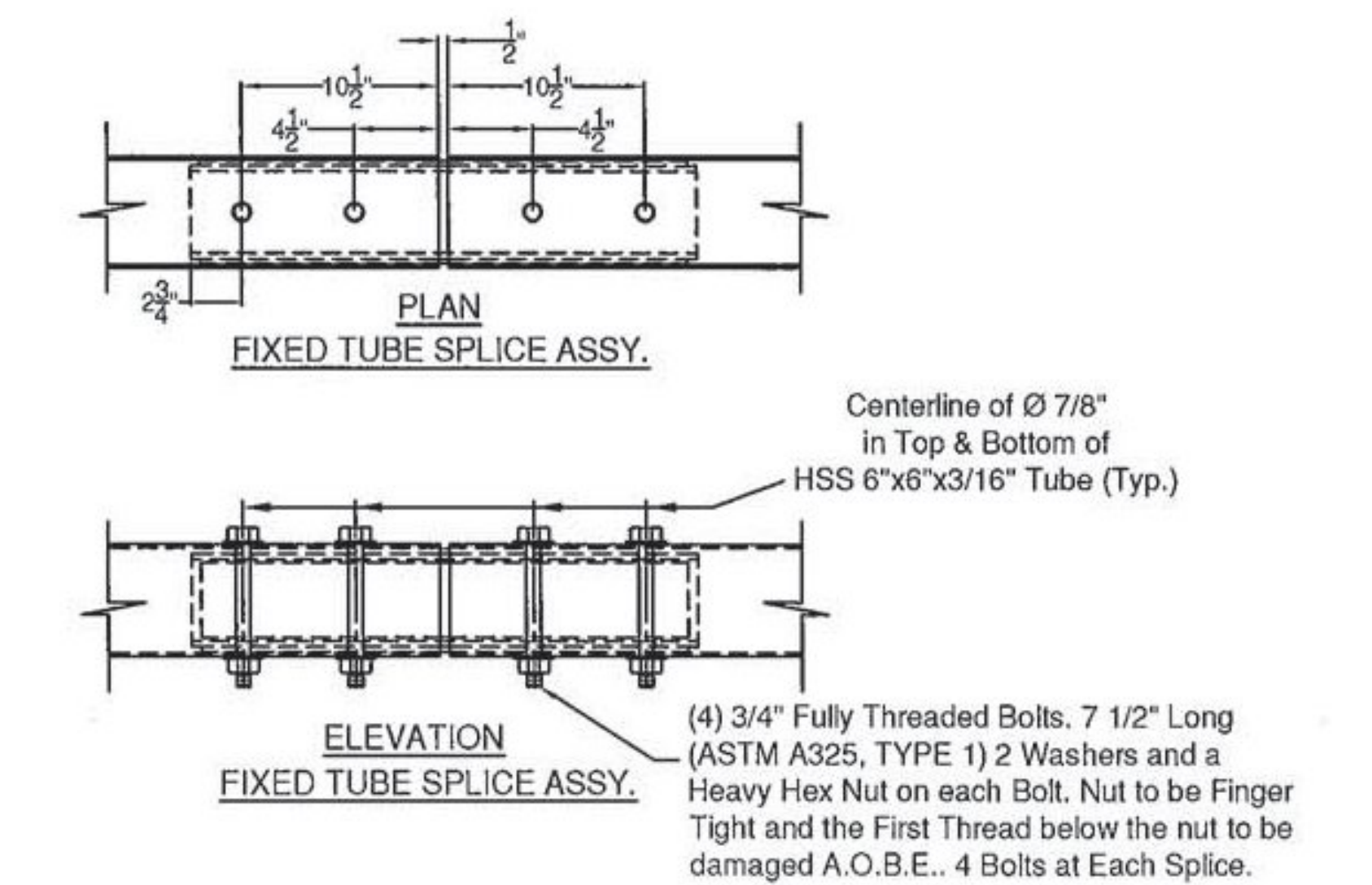
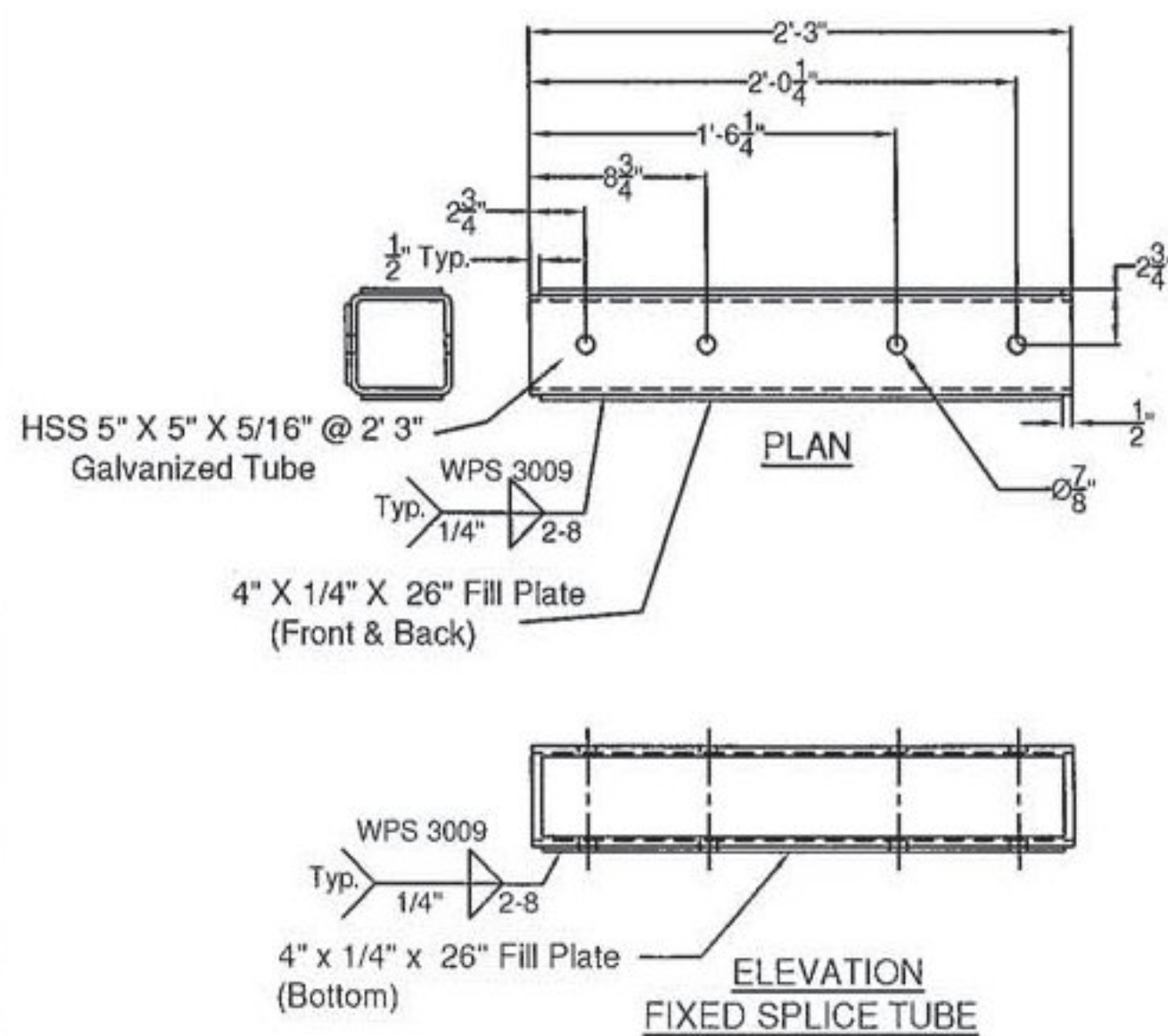
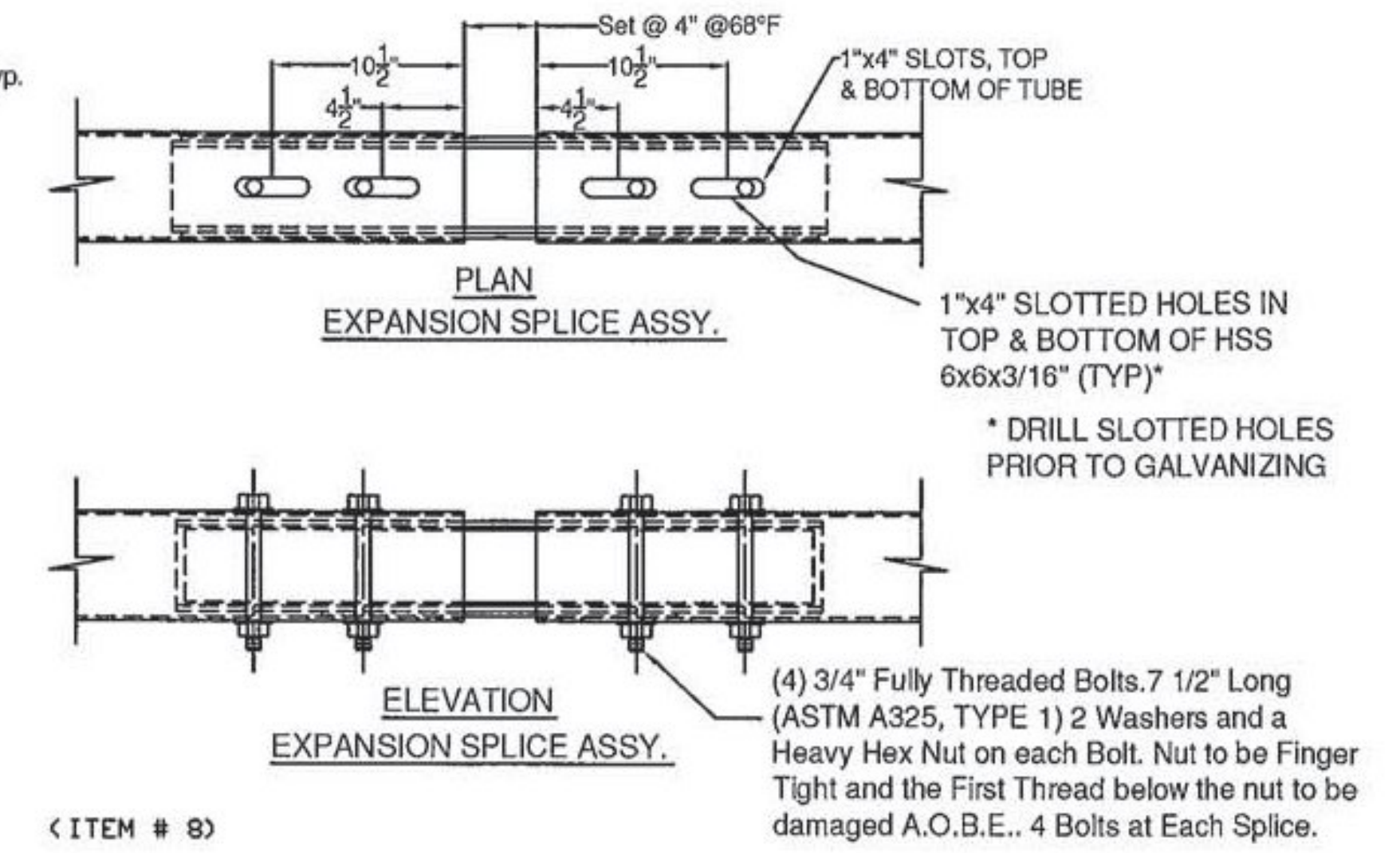
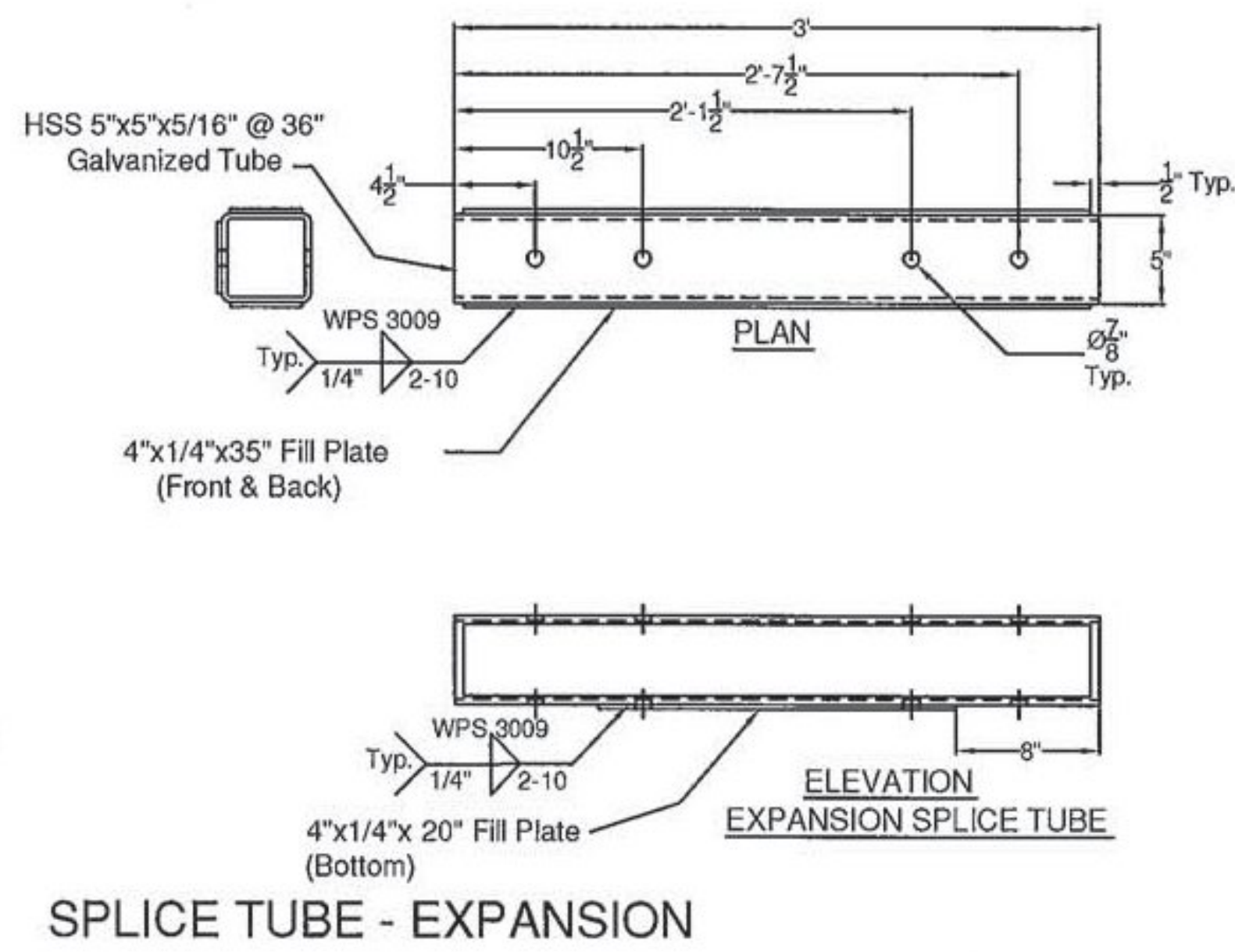


SPLICE BAR - EXPANSION



< ITEM # 9 >



< ITEM # 7 >

SPLICE TUBE - FIXED

Vermont Agency of Transportation

RECEIVED

CK'D BY GL OK'D BY JS

January 9, 2015

RESUBMIT no Approved
BY KH DATE 1-20-2015

SHEET 5 OF 5

ITEM #: 621.725

STRUCTURAL STEEL TO COMPLY W/ ASTM A6

TOLERANCE UNLESS OTHERWISE NOTED:
FRACTIONS = ± 1/16"
ANGLES = ± 1/2"
DIAMETERS = ± 1/32"

GUARD RAIL TO BRIDGE RAIL TRANSITION DETAILS SHEET
TOWN HIGHWAY 46 (IRISH SETTLEMENT ROAD), BRIDGE # 28
TOWN OF CAMBRIDGE, COUNTY OF LAMOILLE, VT.

R NO.	DATE	DESCRIPTION	BY	R NO.	DATE	DESCRIPTION	BY
E 1	1/7/15	REVISED PER 12/29/14 MARK-UP	EP				

DRAWN	E.P.	12/3/14
CHECKED	D.L.	12/3/14
APPROVED		
SCALE	SCHEMATIC	
DRAWING NO. F.R.L-CAMBRIDGE-T		



ELDERLEE, INC.

OAKS CORNERS, NEW YORK 14518
E-Mail: dlong@elderlee.com / epeek@elderlee.com
Tel: 315-789-6670 Fax: 315-789-6615

