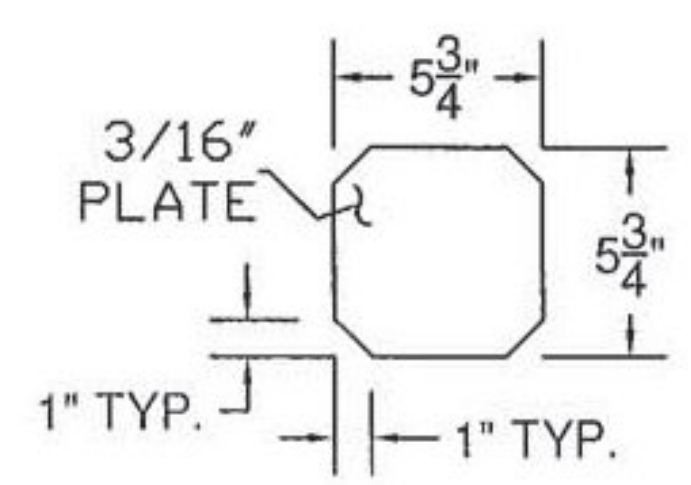
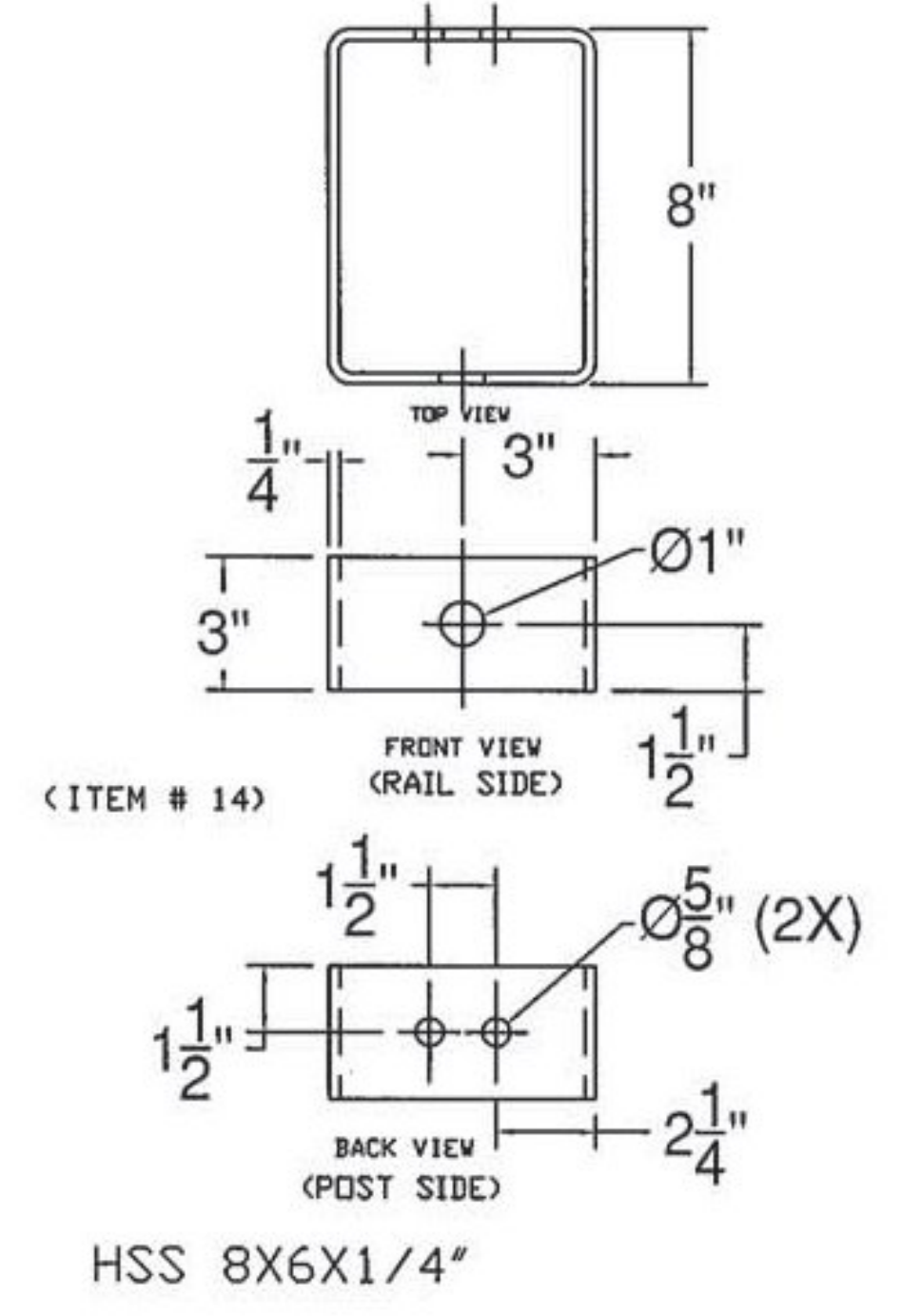
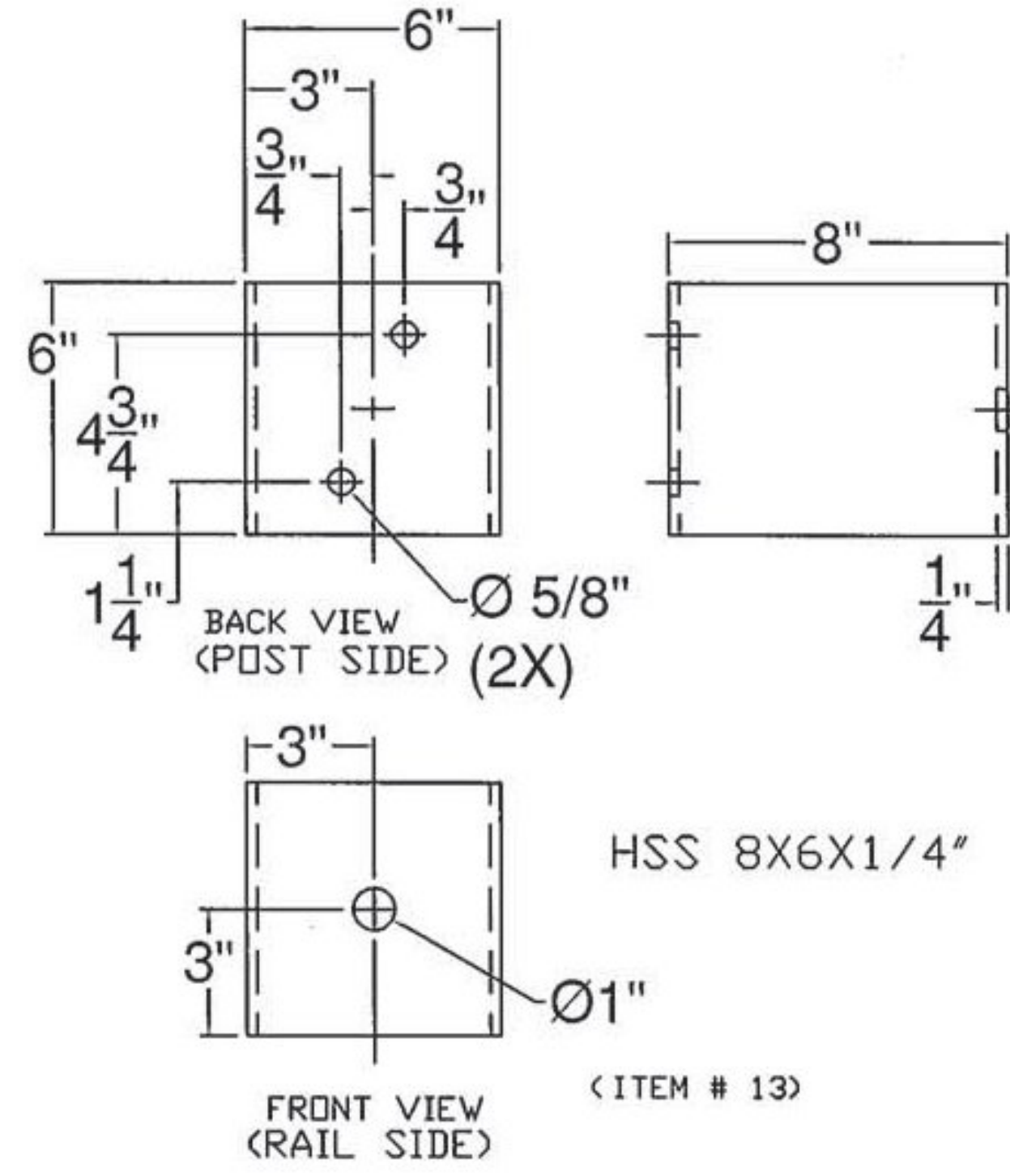
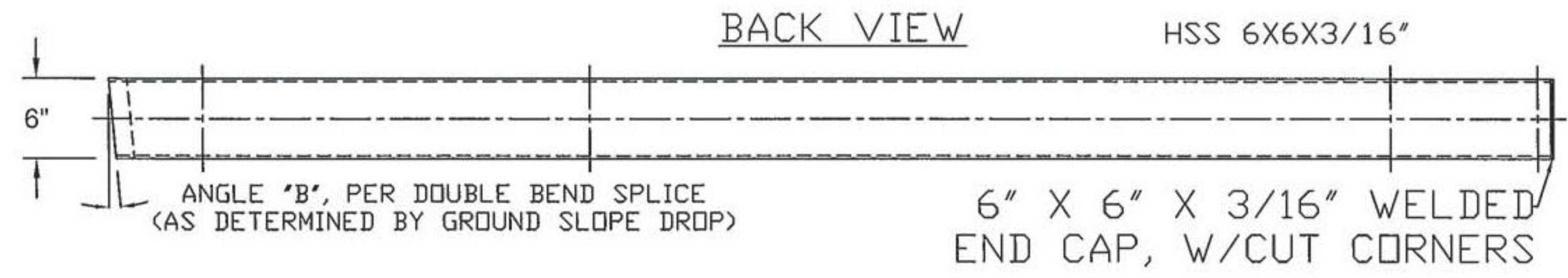


Vermont Agency of Transportation
RECEIVED
 CK'D BY GL OK'D BY JS
 January 9, 2015
 RESUBMIT no Approved
 BY KH DATE 1-20-2015



ITEM #: 621.725

STRUCTURAL STEEL TO COMPLY W/ ASTM A6

TOLERANCE UNLESS OTHERWISE NOTED:
 FRACTIONS = ± 1/16"
 ANGLES = ± 1/2°
 DIAMETERS = ± 1/32"

SHEET 3 OF 5

GUARD RAIL TO BRIDGE RAIL TRANSITION DETAILS SHEET
 TOWN HIGHWAY 46 (IRISH SETTLEMENT ROAD), BRIDGE #28
 TOWN OF CAMBRIDGE, COUNTY OF LAMOILLE, VT.

R NO.	DATE	DESCRIPTION	BY	R NO.	DATE	DESCRIPTION	BY
E 1	1/7/15	REVISED PER 12/29/14 MARK-UP	EP				

ELDERLEE, INC.
 OAKS CORNERS, NEW YORK 14518
 E-Mail: dlong@elderlee.com / epeek@elderlee.com
 Tel: 315-789-6670 Fax: 315-789-6615

DRAWN E.P. 12/3/14
 CHECKED D.L. 12/3/14
 APPROVED
 SCALE SCHEMATIC
 DRAWING NO. F.R.L.-CAMBRIDGE-T