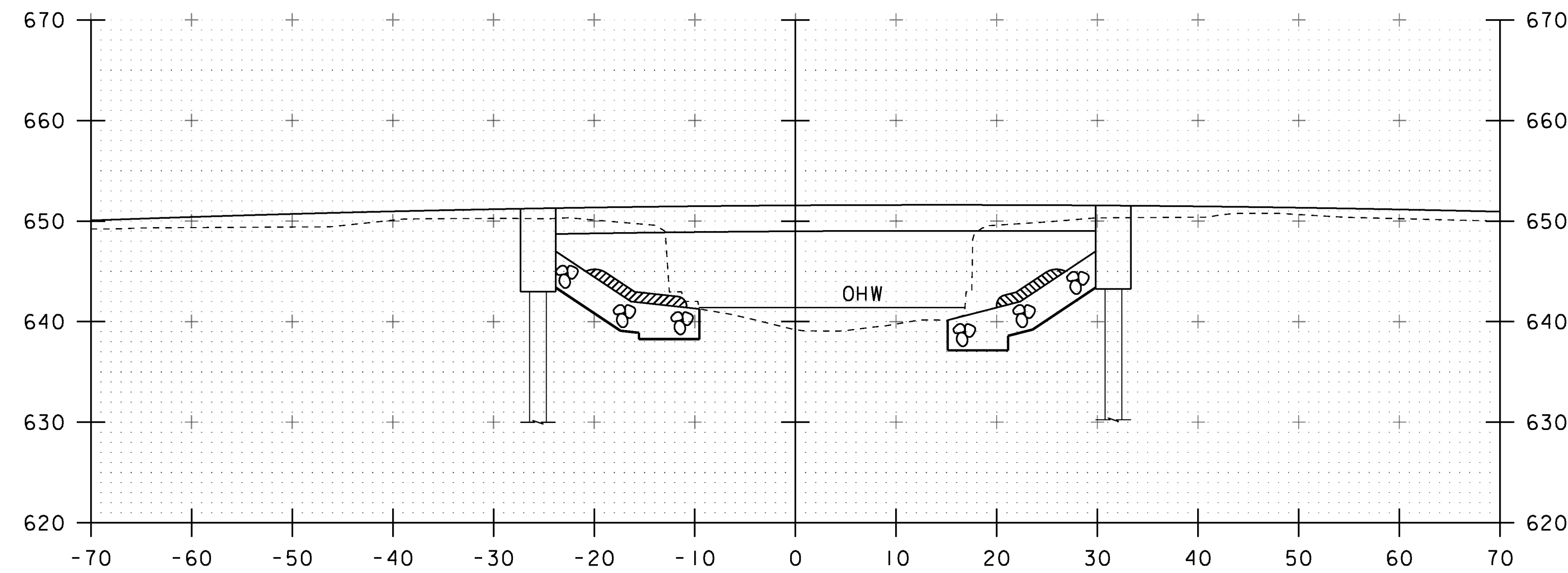
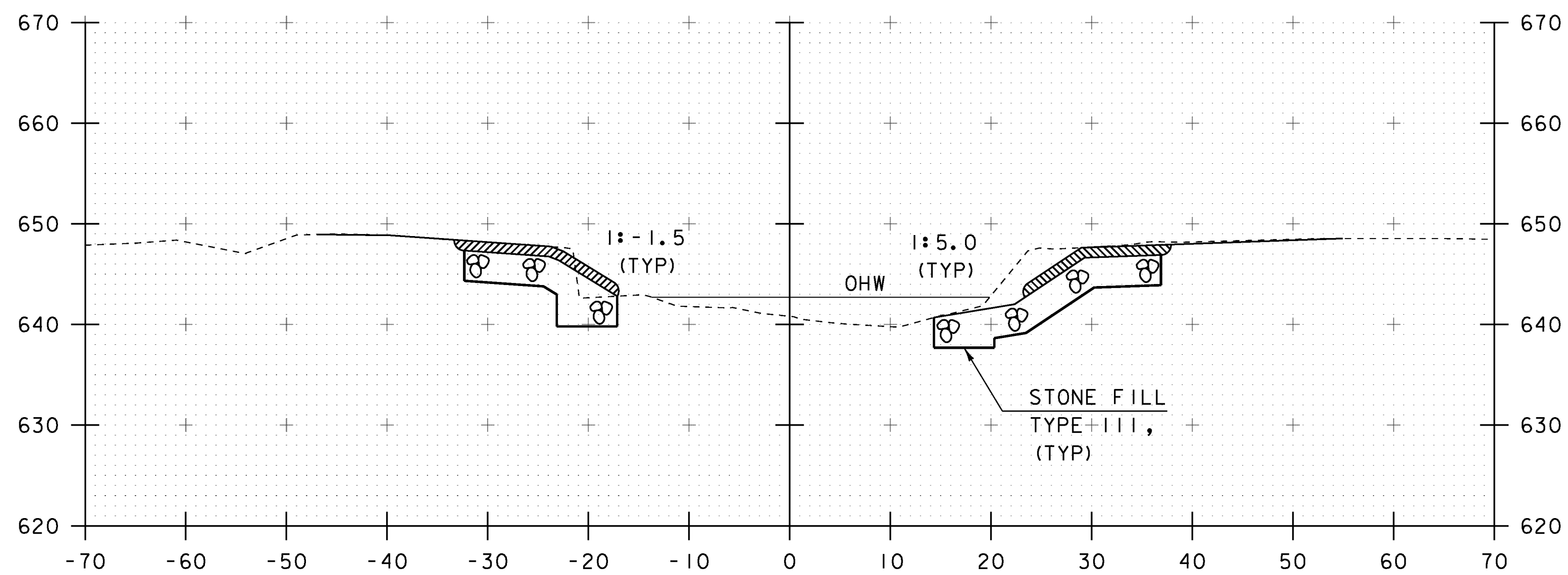


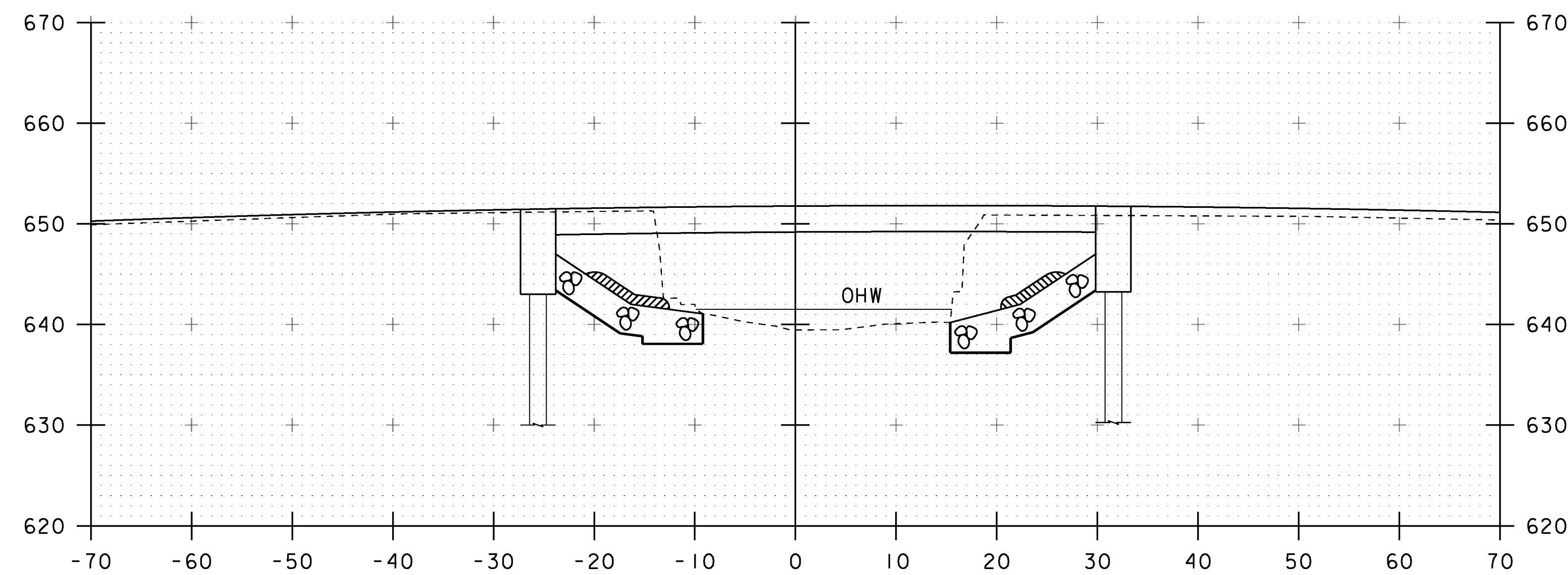
50+90



51+10



50+80



51+00

STA. 50+80 TO STA. 51+10

PROJECT NAME: CAMBRIDGE
 PROJECT NUMBER: BRO 1448(39)

FILE NAME: s12j166xs.dgn
 PROJECT LEADER: K. HIGGINS
 DESIGNED BY: G. LAROCHE
 CHANNEL SECTIONS 2

PLOT DATE: 29-AUG-2014
 DRAWN BY: G. LAROCHE
 CHECKED BY: J. SALVATORI
 SHEET 31 OF 34