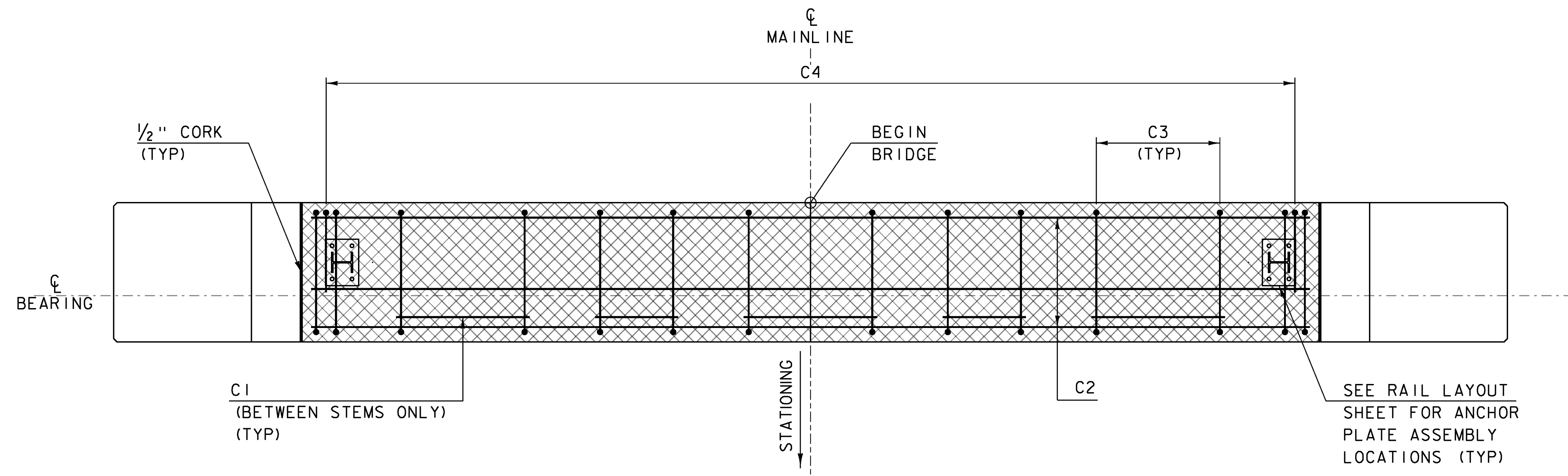
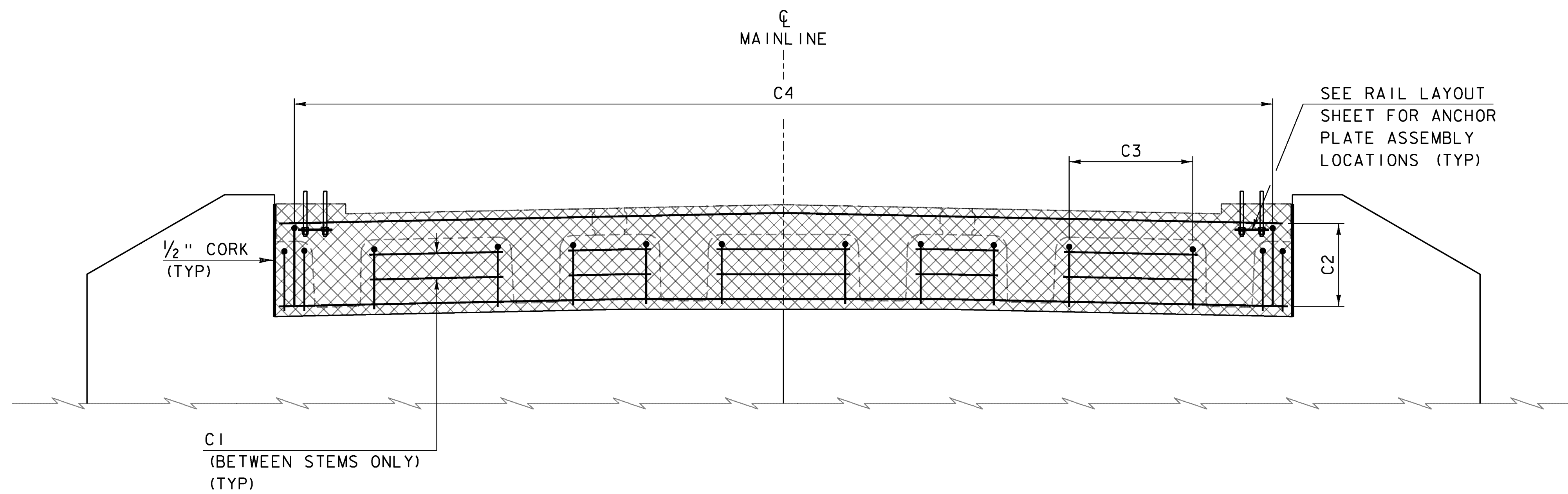


CLOSURE POUR REINFORCING

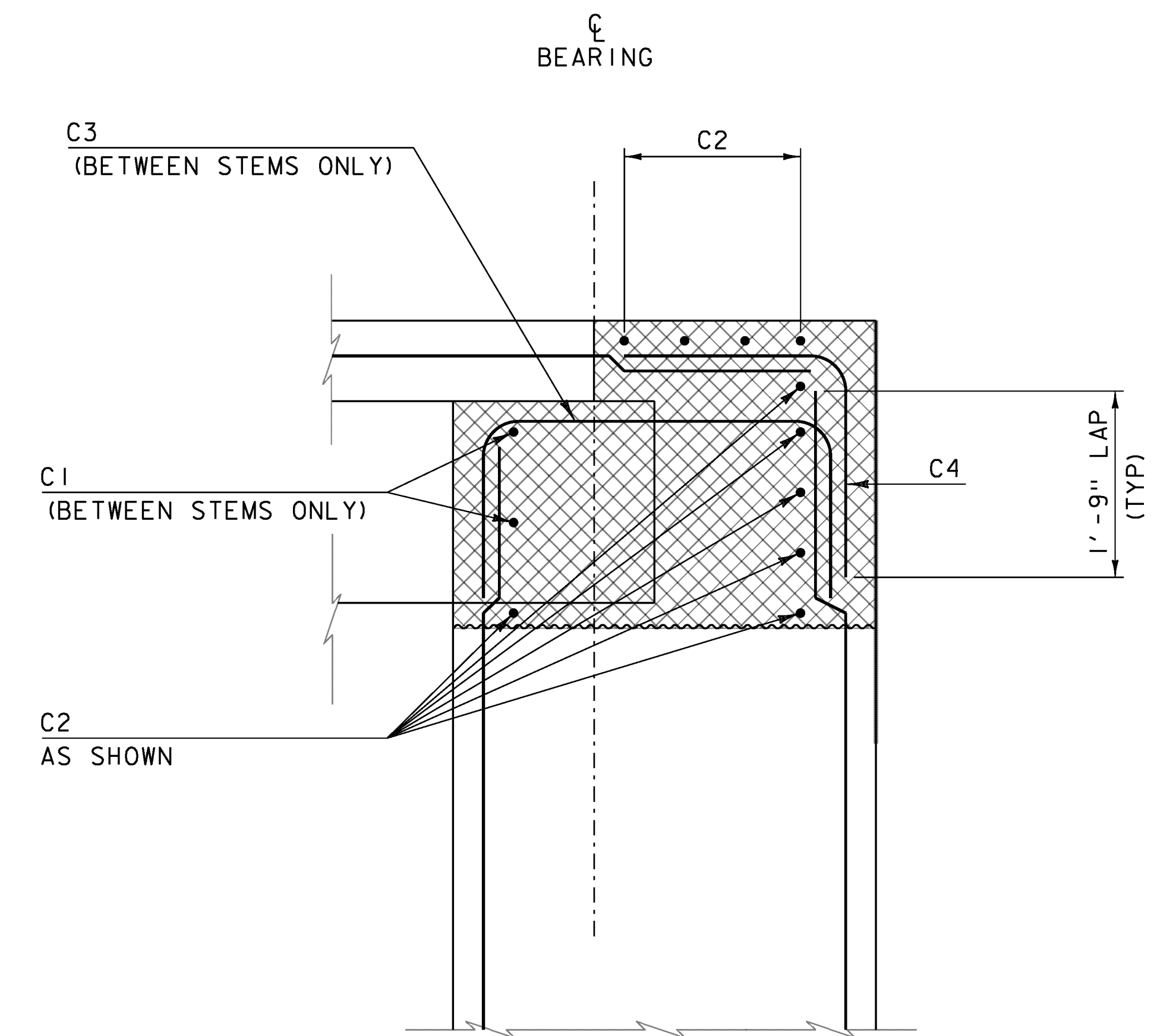
| BAR | SIZE | SPACING | FACE | TYPE |
|-----|------|---------|----------|------|
| C1 | 5 | 12" | NF | STR |
| C2 | 5 | 6" | AS SHOWN | STR |
| C3 | 5 | 12" | --- | 17 |
| C4 | 6 | 6" | --- | 17 |



**DECK CLOSURE POUR
REINFORCING PLAN**
SCALE 1/2" = 1'-0"



**DECK CLOSURE POUR
REINFORCING ELEVATION**
SCALE 1/2" = 1'-0"



REINFORCING TYPICAL
SCALE 1" = 1'-0"

NOTE:
1. ABUTMENT 1 SHOWN, ABUTMENT 2 SIMILAR.

NOTE:
NF = NEAR FACE
FF = FAR FACE
EF = EACH FACE
▲ = CUT TO FIT IN FIELD
3" CLEAR, UNLESS OTHERWISE SPECIFIED ON THE PLANS.
2'-7" BAR LAP UNLESS OTHERWISE SPECIFIED ON THE PLANS.

PROJECT NAME: CAMBRIDGE
PROJECT NUMBER: BRO 1448(39)

FILE NAME: sl2j166sub.dgn
PROJECT LEADER: K. HIGGINS
DESIGNED BY: G. LAROCHE
DECK CLOSURE POUR

PLOT DATE: 29-AUG-2014
DRAWN BY: J. SALVATORI
CHECKED BY: W. LAMMER
SHEET 21 OF 34