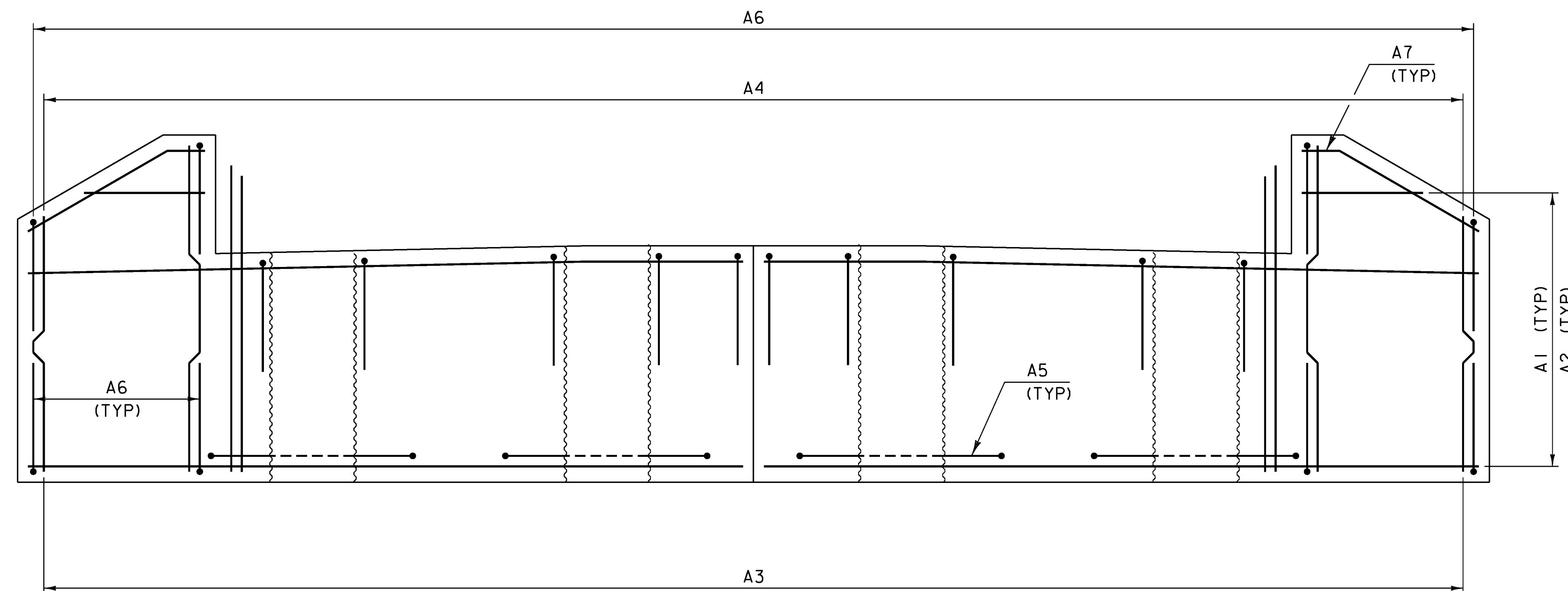


**ABUTMENT REINFORCING PLAN**

SCALE 1/2" = 1'-0"

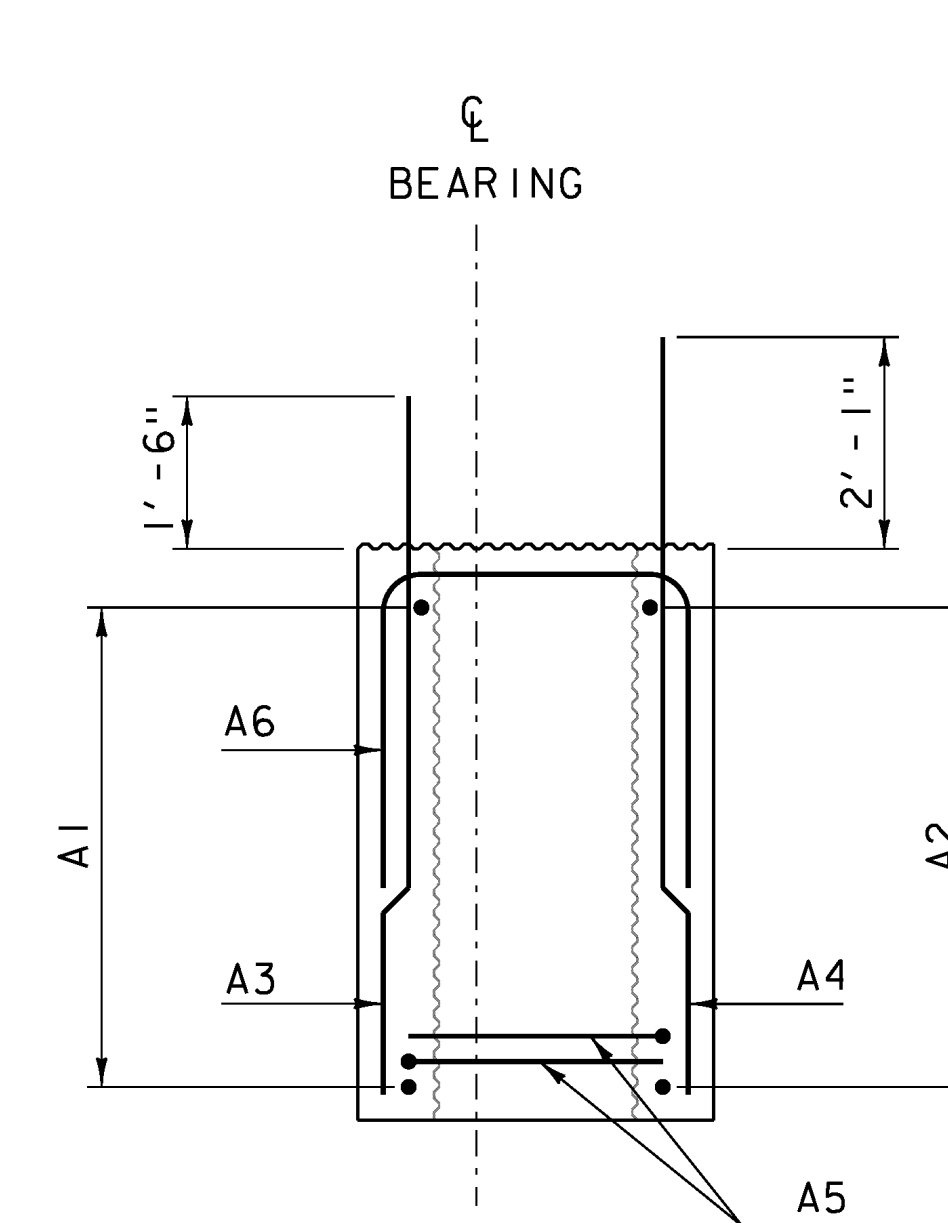
**ABUTMENT REINFORCING CHART**

BAR	SIZE	SPACING	FACE	TYPE
A1	5	12"	NF	STR
A2	5	6"	FF	STR
A3	5	12"	NF	STR
A4	6	6"	FF	STR
A5	6	---	EF	14
A6	5	12	---	17
A7	5	---	EF	19



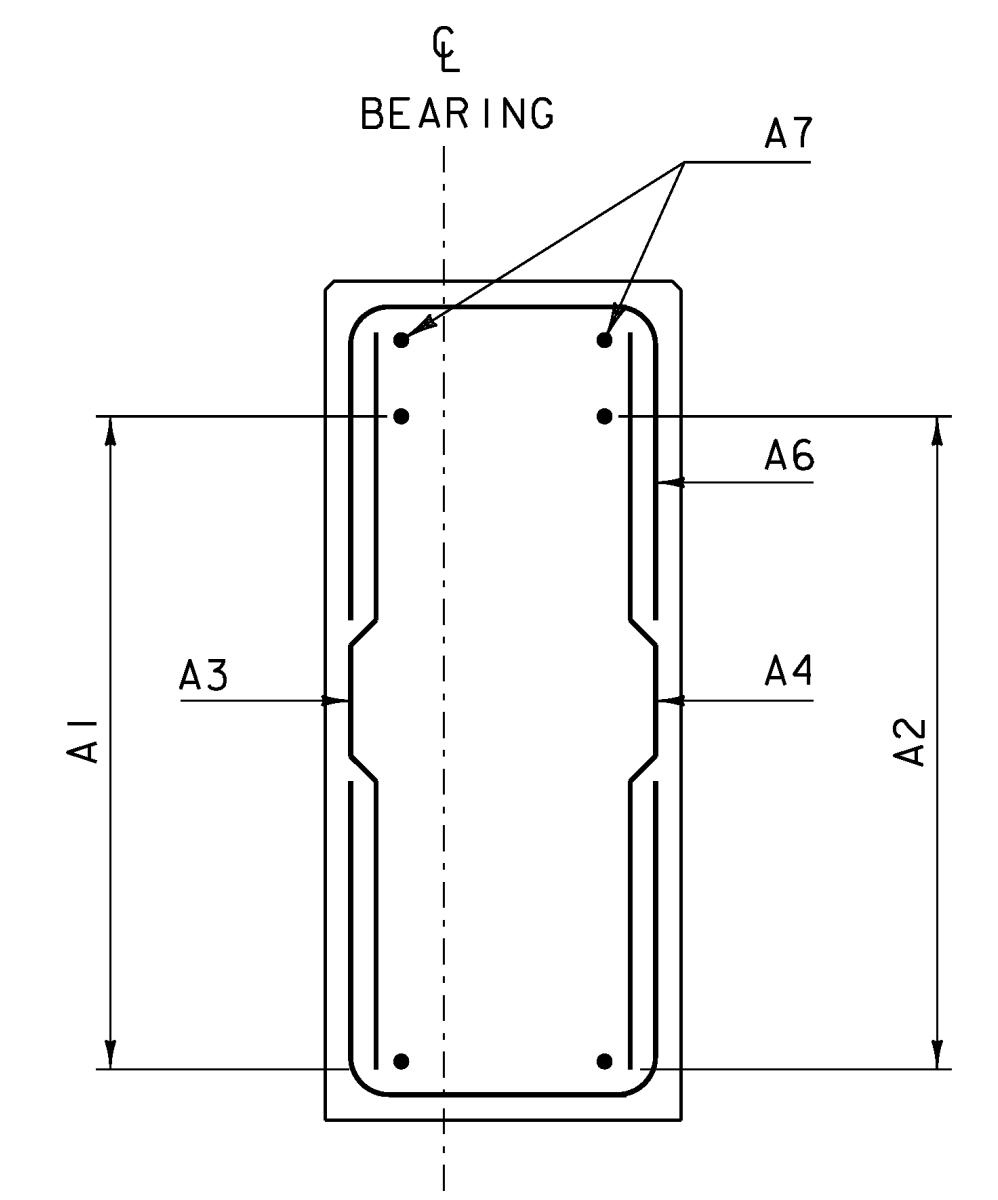
**ABUTMENT REINFORCING ELEVATION**

SCALE 1/2" = 1'-0"



**ABUTMENT REINFORCING AT BRIDGE SEAT**

SCALE 1/2" = 1'-0"



**ABUTMENT REINFORCING AT CHEEK WALL**

SCALE 1/2" = 1'-0"

**NOTES:**

1. ABUTMENT 1 SHOWN, ABUTMENT 2 SIMILAR.
2. CUT TO FIT A3 AT STEM LOCATIONS.

**NOTE:**

NF = NEAR FACE  
 FF = FAR FACE  
 EF = EACH FACE  
 3" CLEAR, UNLESS OTHERWISE SPECIFIED ON THE PLANS.  
 2'-7" BAR LAP UNLESS OTHERWISE SPECIFIED ON THE PLANS.

PROJECT NAME: CAMBRIDGE  
 PROJECT NUMBER: BRO 1448(39)

FILE NAME: sl2j166sub.dgn  
 PROJECT LEADER: K. HIGGINS  
 DESIGNED BY: G. LAROCHE  
 ABUTMENT REINFORCING

PLOT DATE: 29-AUG-2014  
 DRAWN BY: J. SALVATORI  
 CHECKED BY: W. LAMMER  
 SHEET 20 OF 34