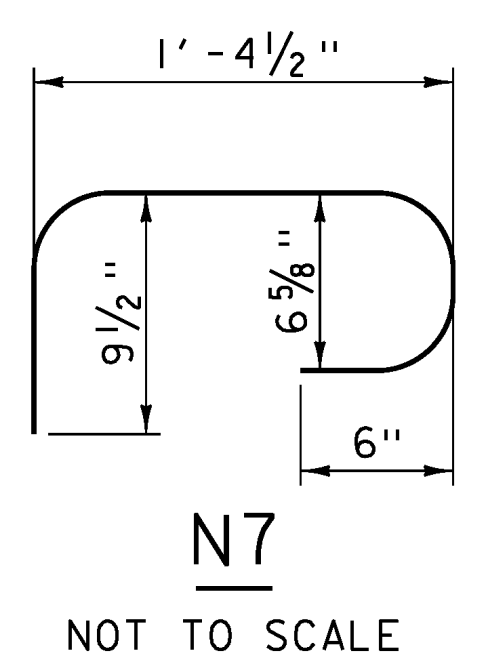
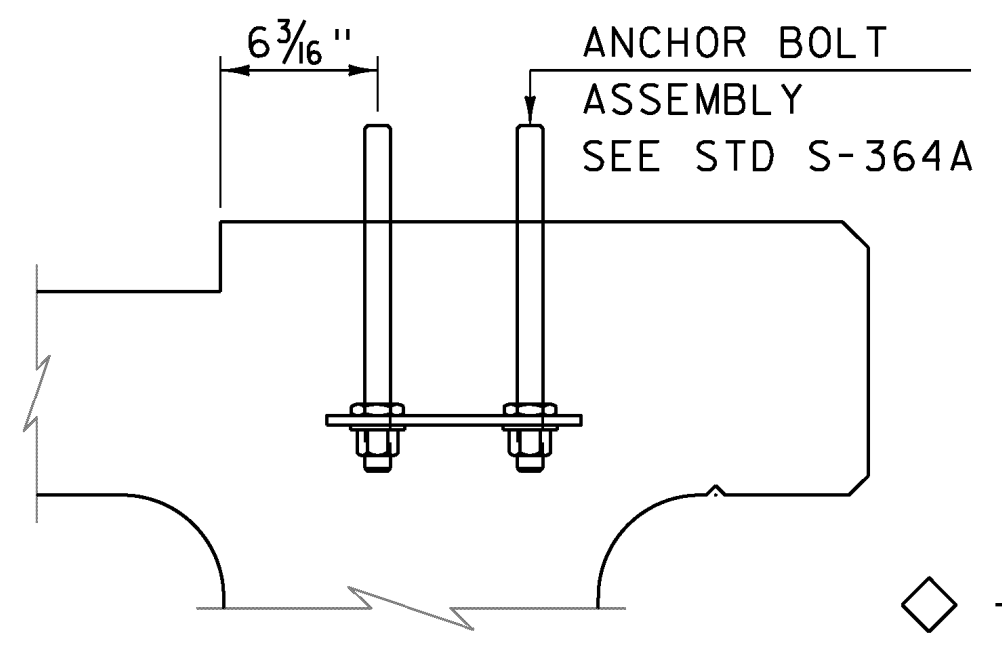


**UNIT 2**  
NOT TO SCALE



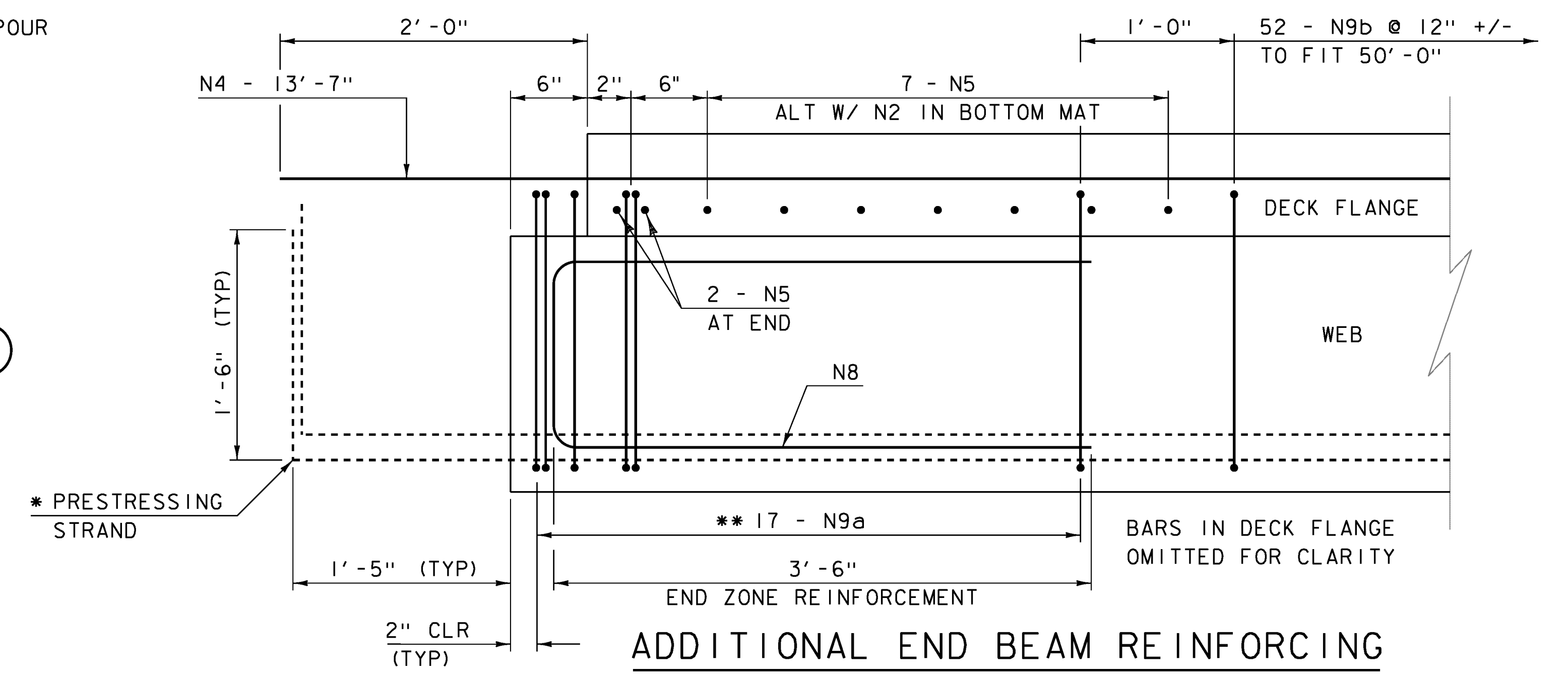
**N7**  
NOT TO SCALE



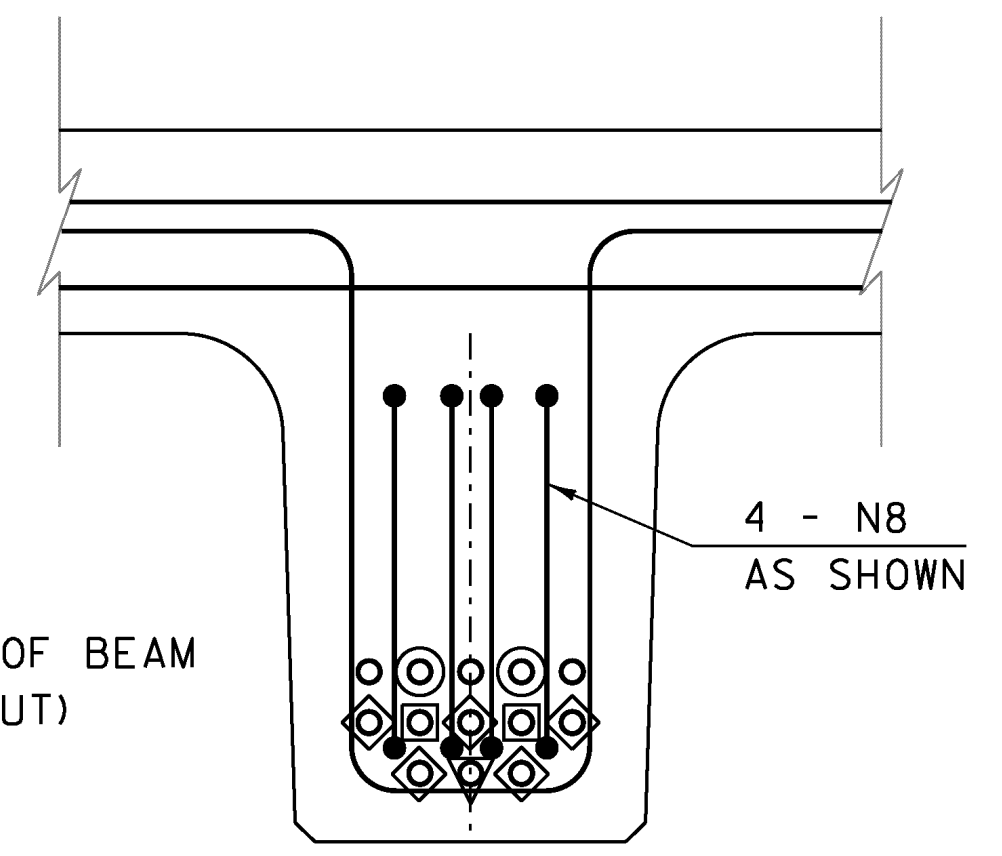
**END SECTION**  
NOT TO SCALE

**LEGEND**

- ◇ - EXTEND 2' - 11" OUT OF BEAM (90° BEND @ 1' - 5" OUT)
- - DEBONDED 0' - 6"
- - DEBONDED 1' - 0"
- ▽ - DEBONDED 1' - 6"



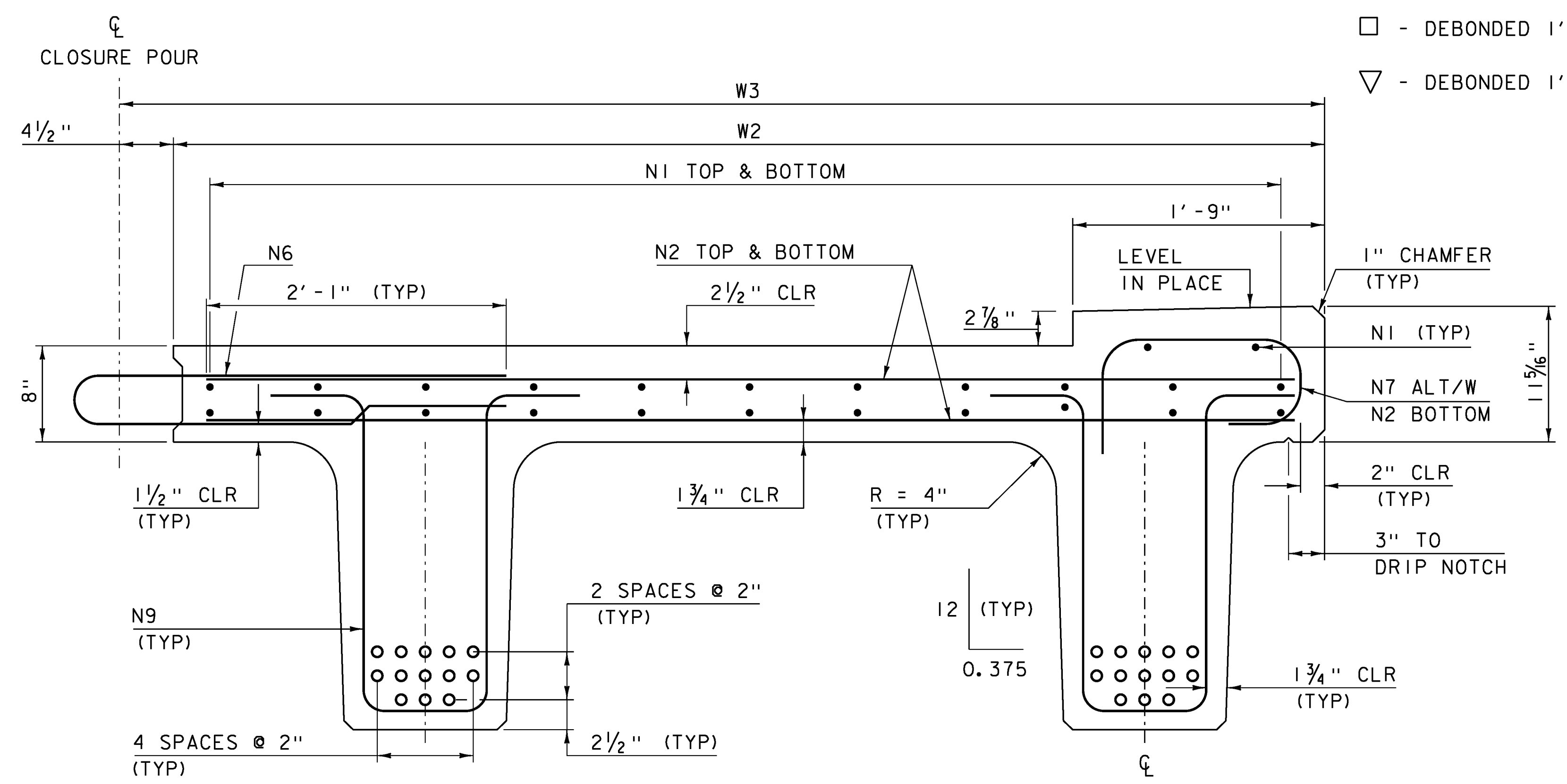
**ADDITIONAL END BEAM REINFORCING**  
**LONGITUDINAL SECTION**  
NOT TO SCALE



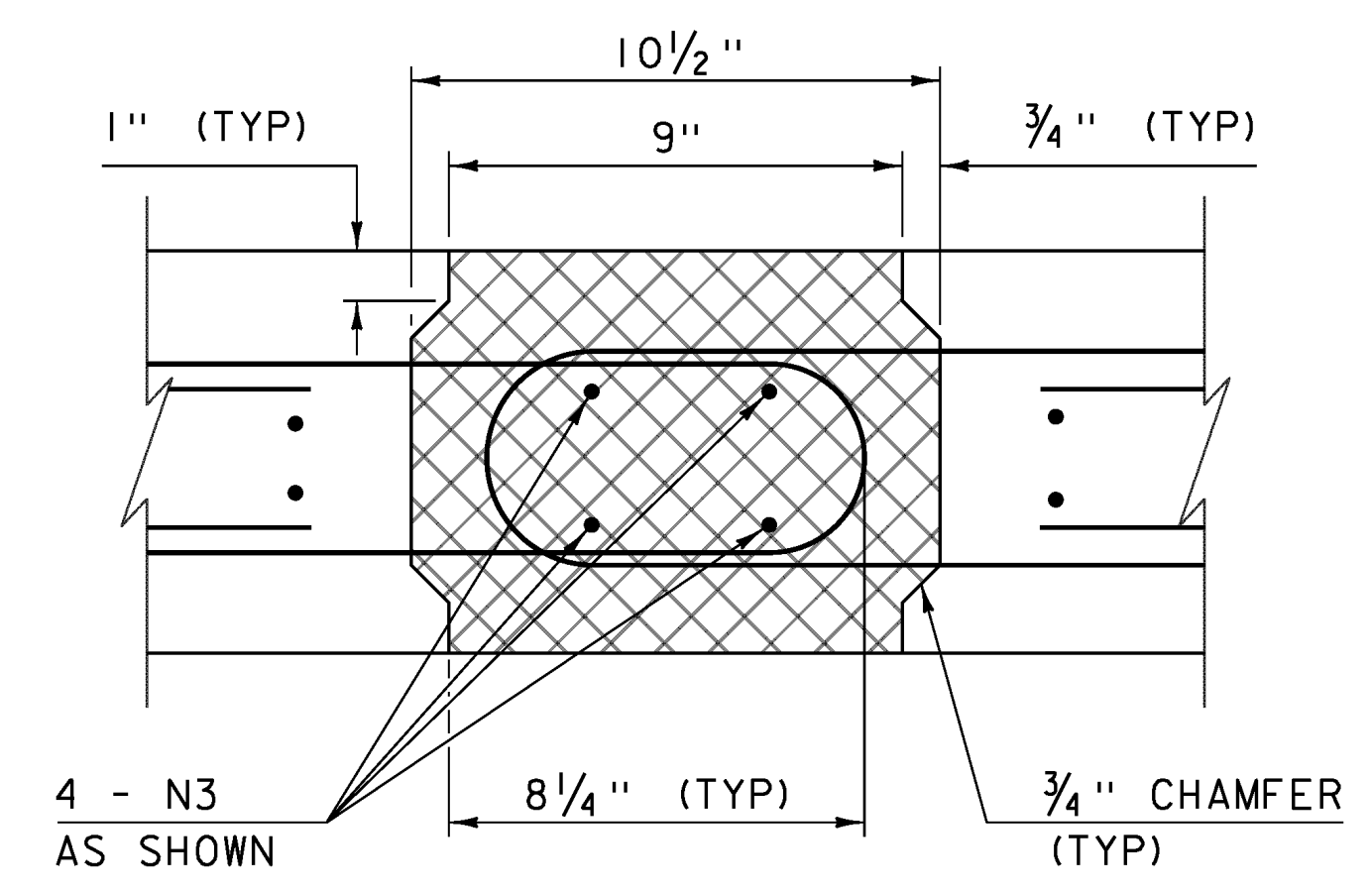
**BEAM SECTION**  
NOT TO SCALE

**NOTES:**

- \* LEAVE FIVE STRANDS LONG PER STEM AS INDICATED. TIE STRANDS TO HORIZONTAL FF REINFORCING IN DECK CLOSURE POUR. SLEEVES FOR PERMANENT BENDING OF THE PRESTRESSING STRANDS WILL NOT BE ALLOWED INSIDE THE CLOSURE POUR.
- \*\* THE FIRST AND THIRD PAIRS WILL BE BUNDLED.



**UNITS 1 & 3**  
NOT TO SCALE



**CONNECTION DETAIL SECTION**  
NOT TO SCALE

**NEXT BEAM REINFORCING CHART**

| BAR | SIZE | SPACING  | TYPE       |
|-----|------|----------|------------|
| N1  | 5    | 9"       | STR        |
| N2  | 5    | 6"       | STR        |
| N3  | 4    | AS SHOWN | STR        |
| N4  | 6    | 6"       | STR        |
| N5  | 4    | 6"       | STR        |
| N6  | 4    | 6"       | S11        |
| N7  | 5    | 6"       | SEE DETAIL |
| N8  | 5    | AS SHOWN | S10        |
| N9  | 4    | 12"      | S4         |
| N9a | 4    | 3"       | S4         |
| N9b | 4    | 12"      | S4         |

PROJECT NAME: CAMBRIDGE  
 PROJECT NUMBER: BRO 1448(39)  
 FILE NAME: sl2j166sup.dgn  
 PROJECT LEADER: K. HIGGINS  
 DESIGNED BY: G. LAROCHE  
 NEXT BEAM TYPICAL SECTIONS

PLOT DATE: 29-AUG-2014  
 DRAWN BY: G. LAROCHE  
 CHECKED BY: J. SALVATORI  
 SHEET 17 OF 34