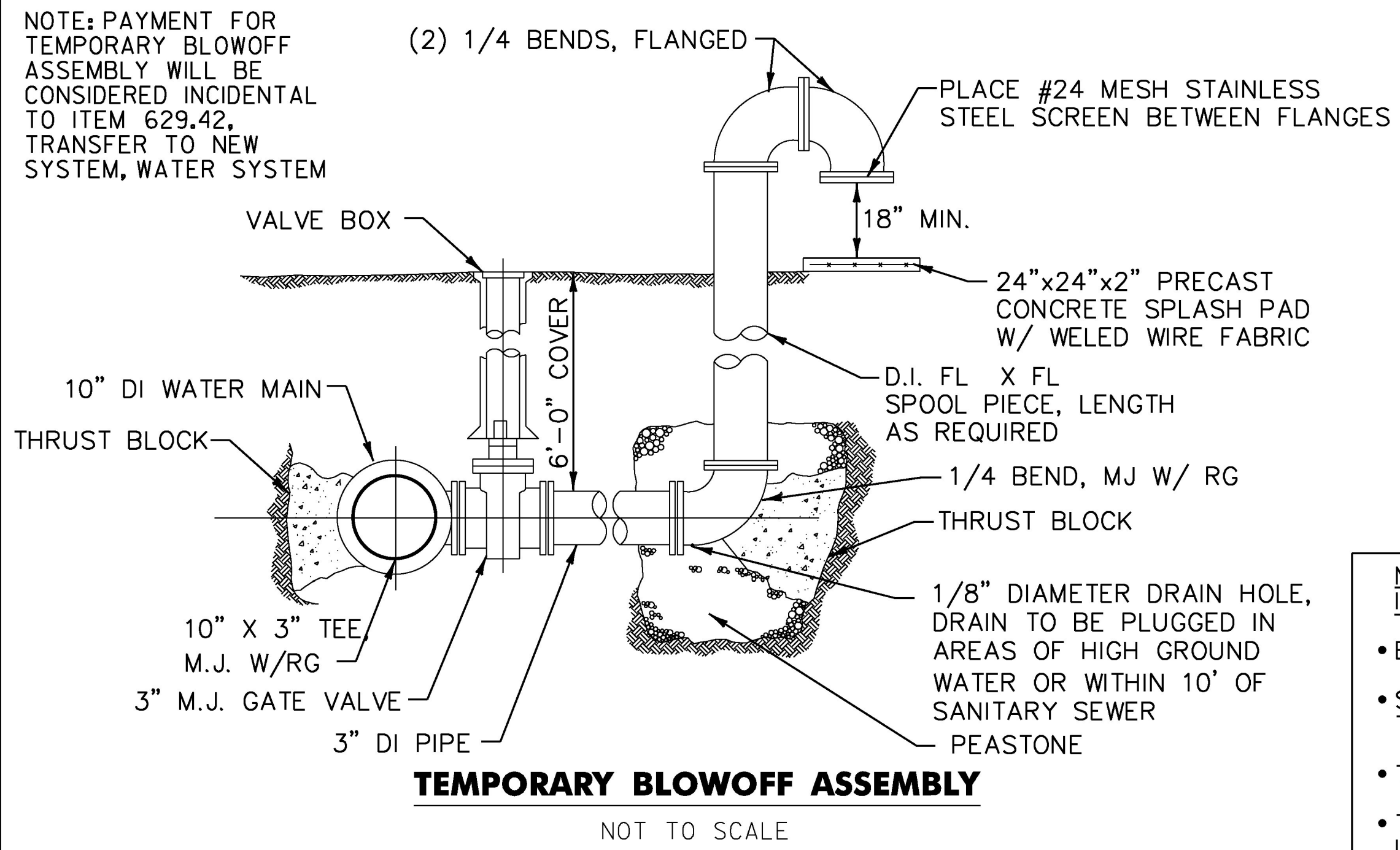
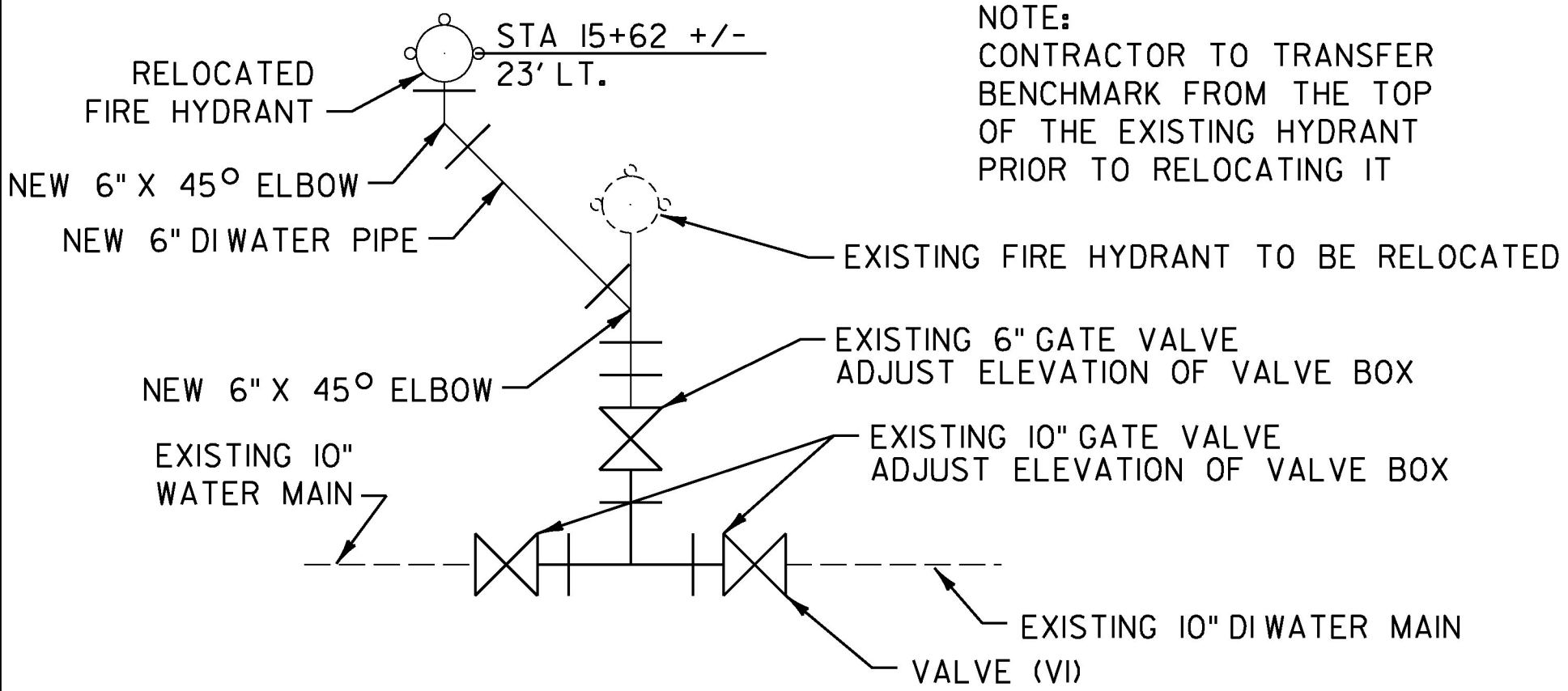


NOTE: PAYMENT FOR TEMPORARY BLOWOFF ASSEMBLY WILL BE CONSIDERED INCIDENTAL TO ITEM 629.42, TRANSFER TO NEW SYSTEM, WATER SYSTEM



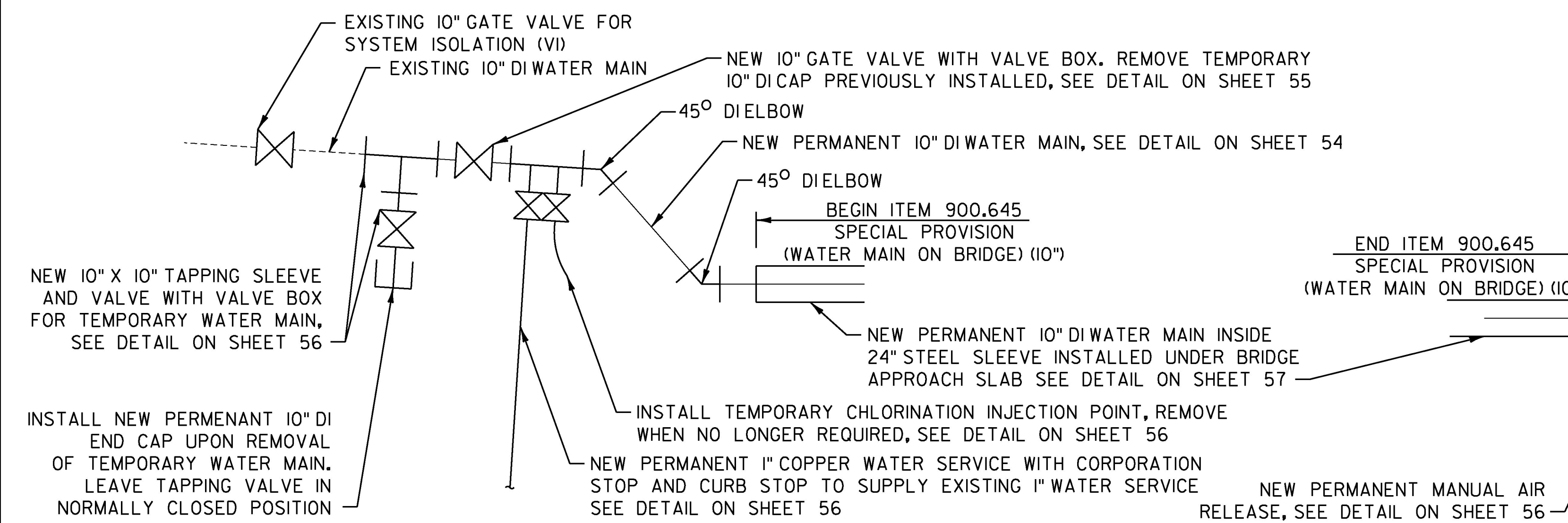
TEMPORARY BLOWOFF ASSEMBLY

NOT TO SCALE



DETAIL 1

NOT TO SCALE
SEE UTILITY PLAN FOR LOCATION

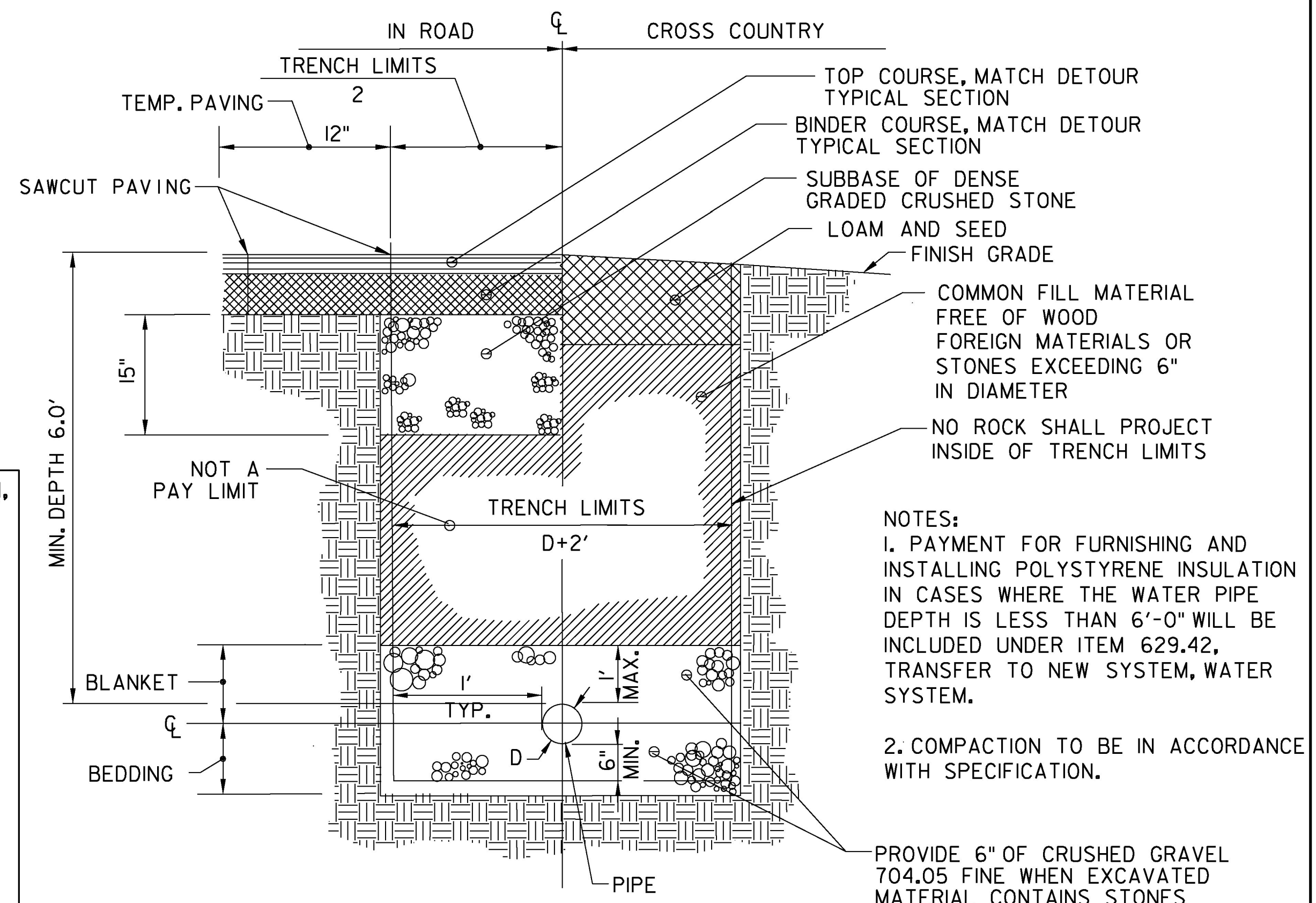


DETAIL 2

NOT TO SCALE
SEE UTILITY PLAN FOR LOCATION

NOTE: PAY ITEM 629.42, TRANSFER TO NEW SYSTEM, WATER SYSTEM, INCLUDES, BUT IS NOT LIMITED TO, THE FOLLOWING:

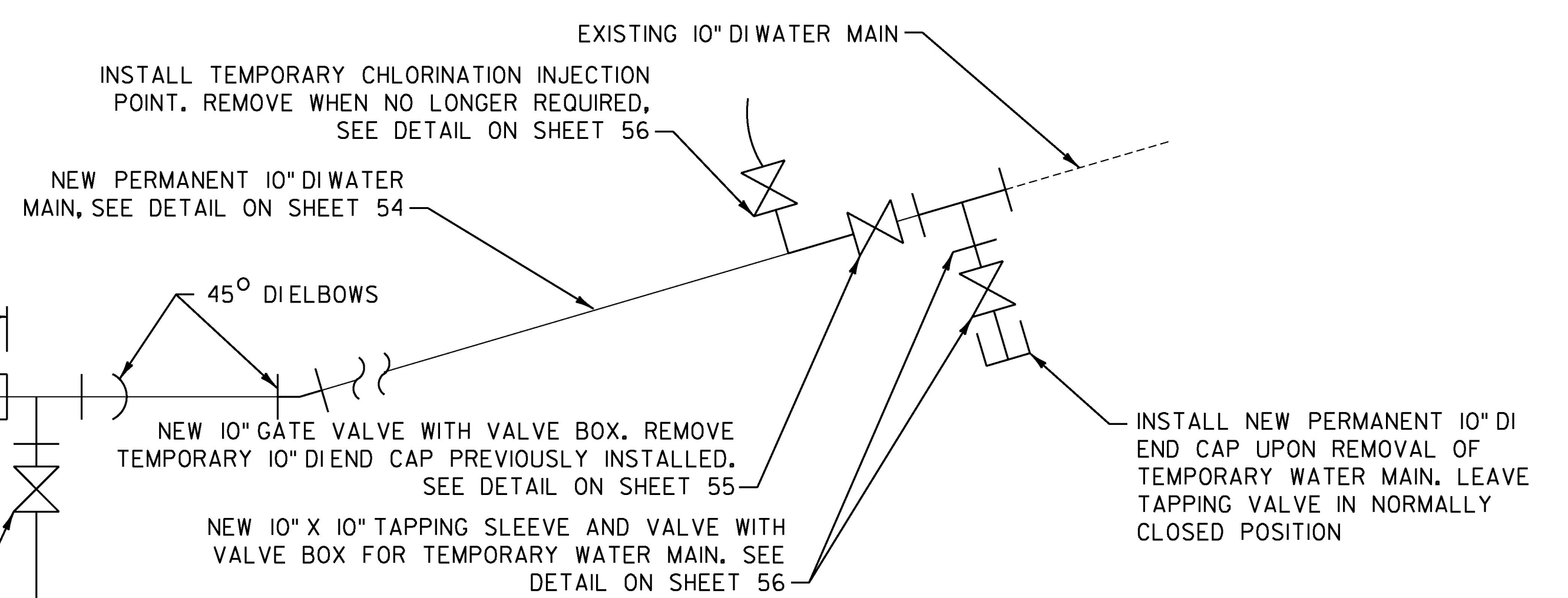
- EXCAVATION FOR INSTALLATION OF TEMPORARY WATER MAIN.
- SAWCUTTING OF PAVEMENT AS REQUIRED FOR INSTALLATION OF TEMPORARY WATER MAIN.
- TEMPORARY BURIED DUCTILE IRON PIPE AND FITTINGS.
- TEMPORARY DUCTILE IRON PIPE AND FITTINGS INSTALLED UNDER TEMPORARY BRIDGE (INCLUDING PIPE SUPPORTS)
- TEMPORARY DUCTILE IRON PIPE AND FITTINGS REQUIRING PREINSULATED URETHANE INSULATION.
- TEMPORARY VALVES.
- TEMPORARY BLOW-OFF ASSEMBLY.
- TEMPORARY CHLORINATION INJECTION POINT.
- POLYSTYRENE INSULATION FOR TEMPORARY WATER MAIN.
- CONCRETE THRUST RESTRAINT FOR TEMPORARY WATER MAIN AND APPURTENANCES.
- ALL BACKFILL FOR TEMPORARY WATER MAIN INCLUDING CRUSHED GRAVEL PIPE BEDDING AND BLANKET, AND COMMON FILL (EXCLUDES SUBBASE OF DENSE GRADED CRUSHED STONE, AND BITUMINOUS CONCRETE PAVEMENT).
- FLUSHING, TESTING AND DISINFECTION OF TEMPORARY WATER MAIN.
- REMOVAL OF EXISTING 10\"/>



TYPICAL TEMPORARY DI TRENCH DETAIL

NOT TO SCALE

NOTE: PAYMENT FOR TEMPORARY DUCTILE IRON WATER PIPE WILL BE INCLUDED UNDER ITEM 629.42, TRANSFER TO NEW SYSTEM, WATER SYSTEM.



DETAIL 3

NOT TO SCALE
SEE UTILITY PLAN FOR LOCATION

NOTE: EXTEND 3\"/>



PROJECT NAME:	ST JOHNSBURY
PROJECT NUMBER:	BRO 1447(30)
FILE NAME:	z12j164wtr_dets2d.dgn
DESIGNED BY:	D. CAMPBELL
WATER DETAILS I	
PLOT DATE:	9/30/2016
DRAWN BY:	D. HARRINGTON
CHECKED BY:	G. SANTY
SHEET	53 OF 76