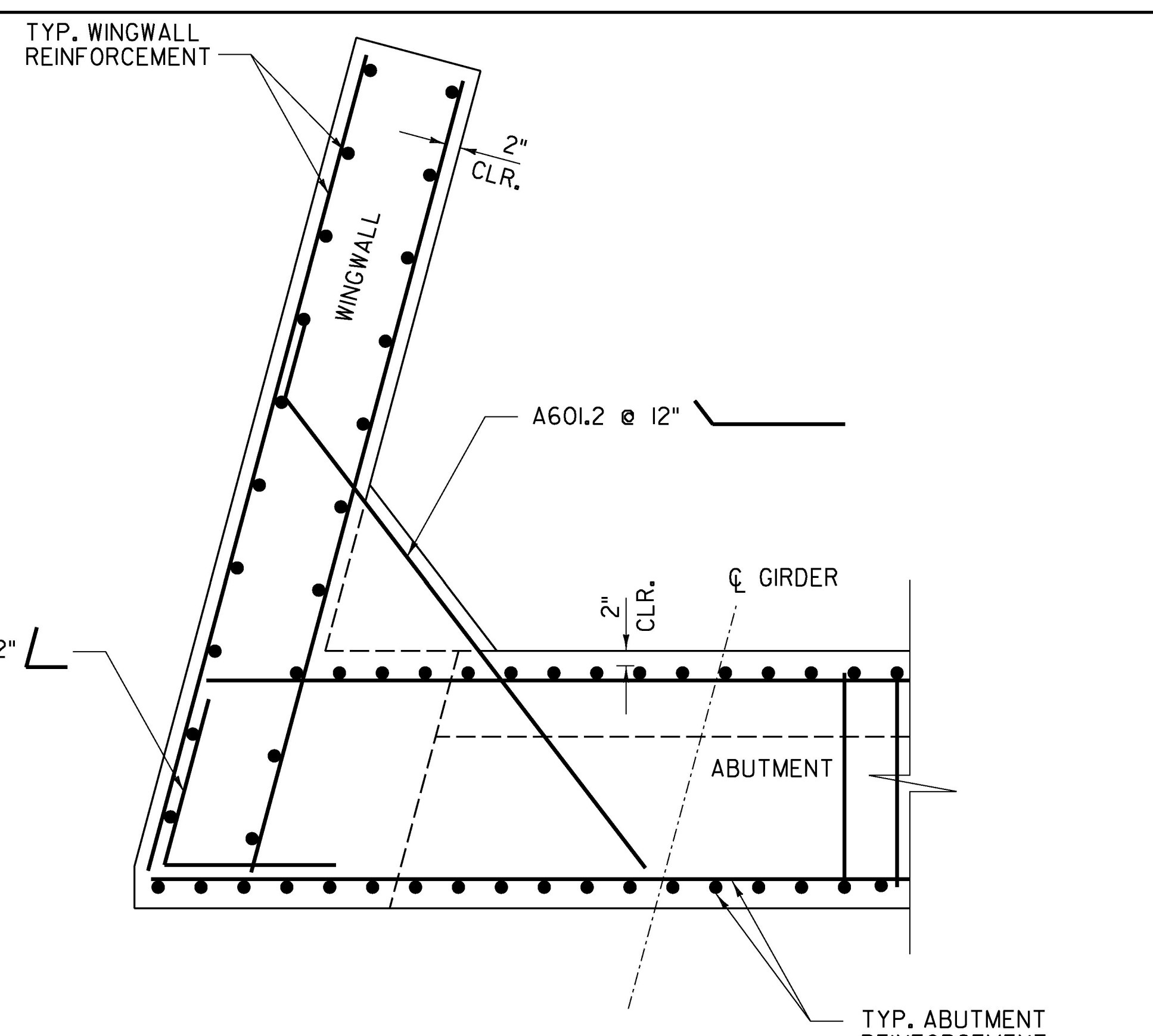
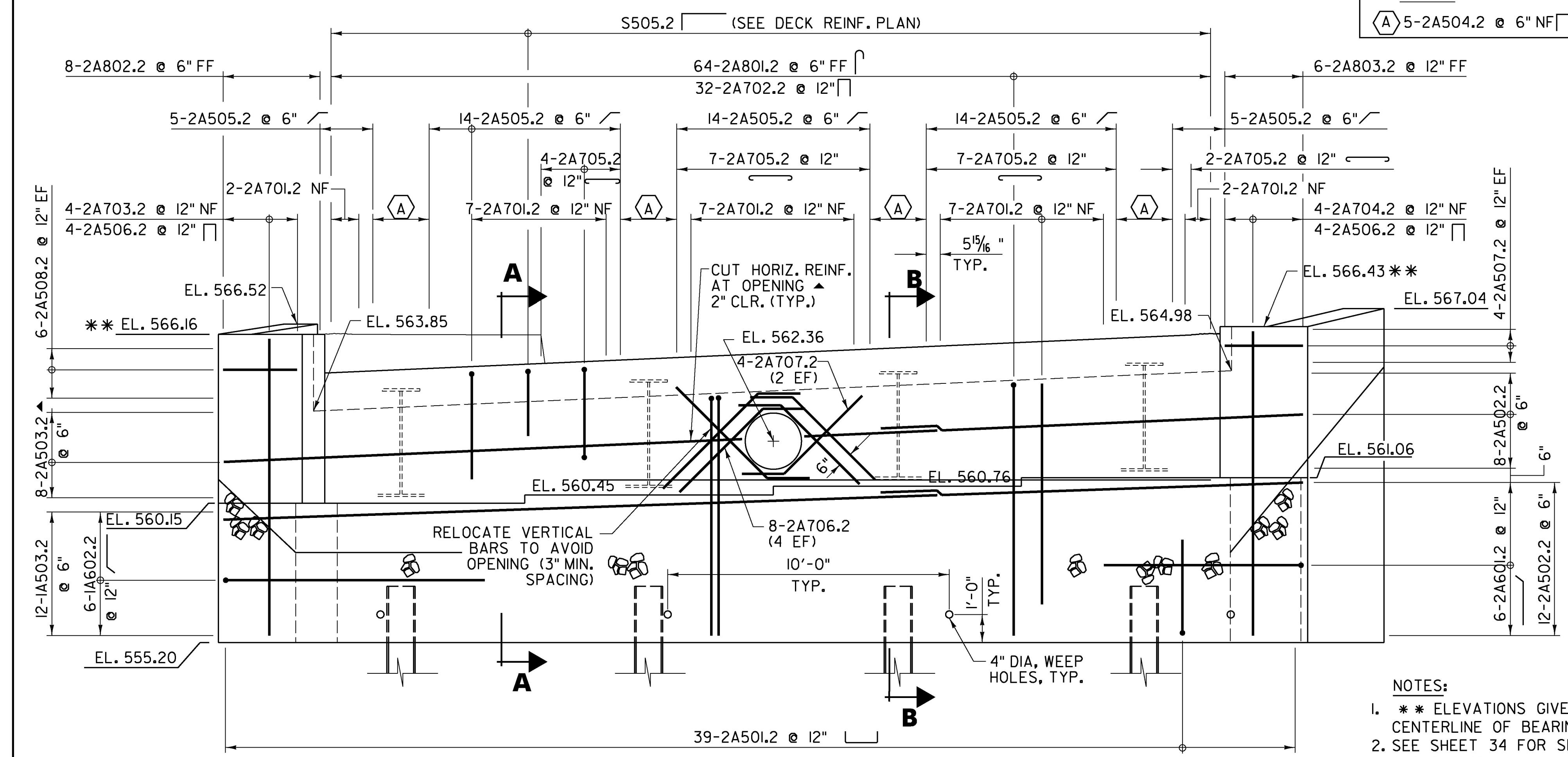


**ABUTMENT 2 PLAN**  
SCALE 3/8" = 1'-0"



**TYPICAL CORNER DETAIL**  
WINGWALLS 2 & 3 - BELOW BEAM SEAT  
SCALE 3/4" = 1'-0"

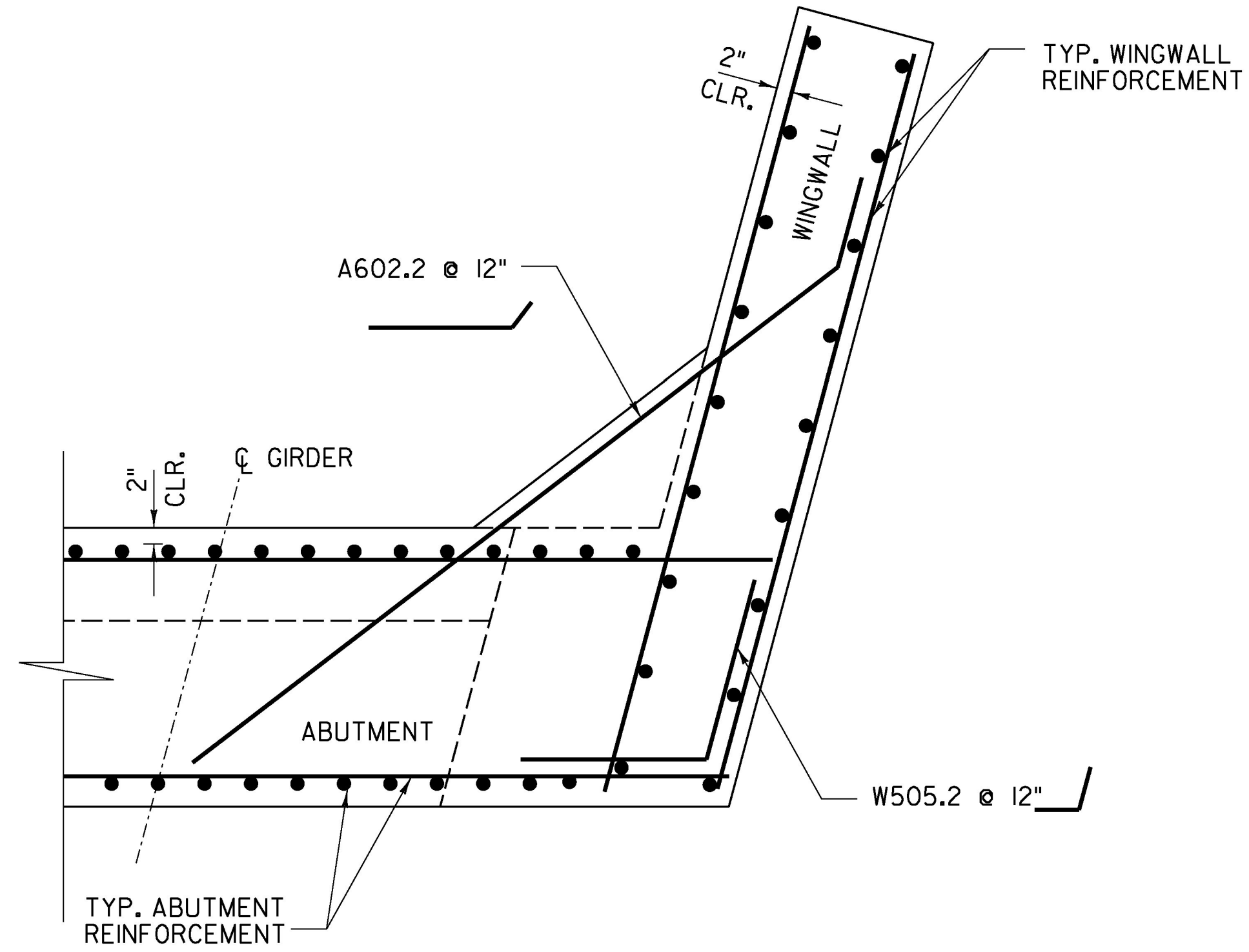


**ABUTMENT 2 ELEVATION**  
SCALE 3/8" = 1'-0"

**LEGEND**  
A 5-2A504.2 @ 6" NF

**LEGEND:**  
NF = NEAR FACE  
FF = FAR FACE  
EF = EACH FACE  
▲ = CUT TO FIT IN FIELD

- NOTES:**
- \*\* ELEVATIONS GIVEN AT CENTERLINE OF BEARING.
  - SEE SHEET 34 FOR SECTIONS A-A & B-B.
  - SEE SHEET 29 FOR DECK REINFORCING BARS NOT SHOWN.
  - SEE SHEET 36 FOR WINGWALL REINFORCING BARS NOT SHOWN.
  - 3" CLEAR UNLESS OTHERWISE SPECIFIED ON THE PLANS.



**TYPICAL CORNER DETAIL**  
WINGWALLS 1 & 4 - BELOW BEAM SEAT  
SCALE 3/4" = 1'-0"

PROJECT NAME: ST JOHNSBURY	
PROJECT NUMBER: BRO 1447(30)	
FILE NAME: z12j164abuts.dgn	PLOT DATE: 9/30/2016
PROJECT LEADER: M. CHENETTE	DRAWN BY: L. BUXTON
DESIGNED BY: N. TIRK	CHECKED BY: T. KNIGHT/N. TIRK
ABUTMENT 2 PLAN & ELEVATION	SHEET 35 OF 76

