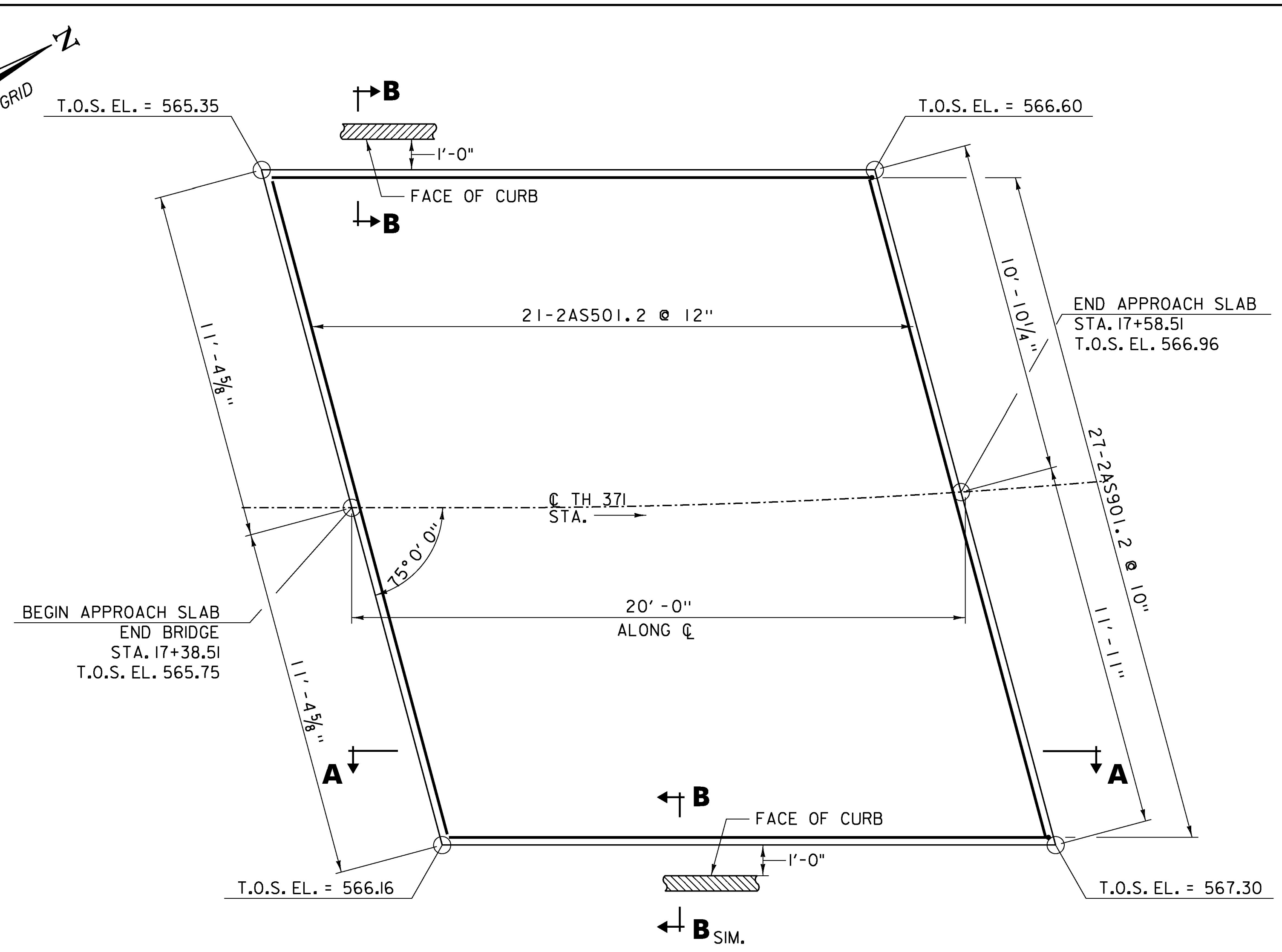
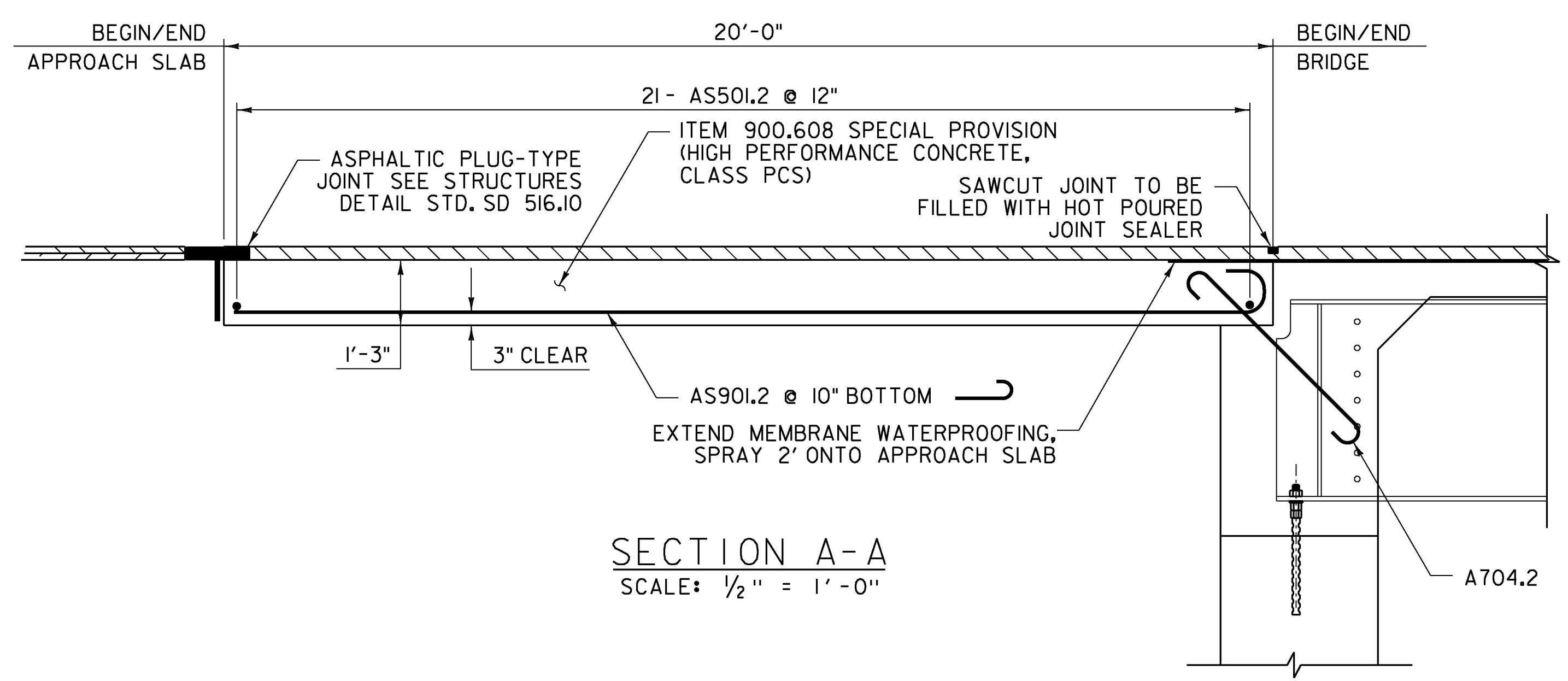


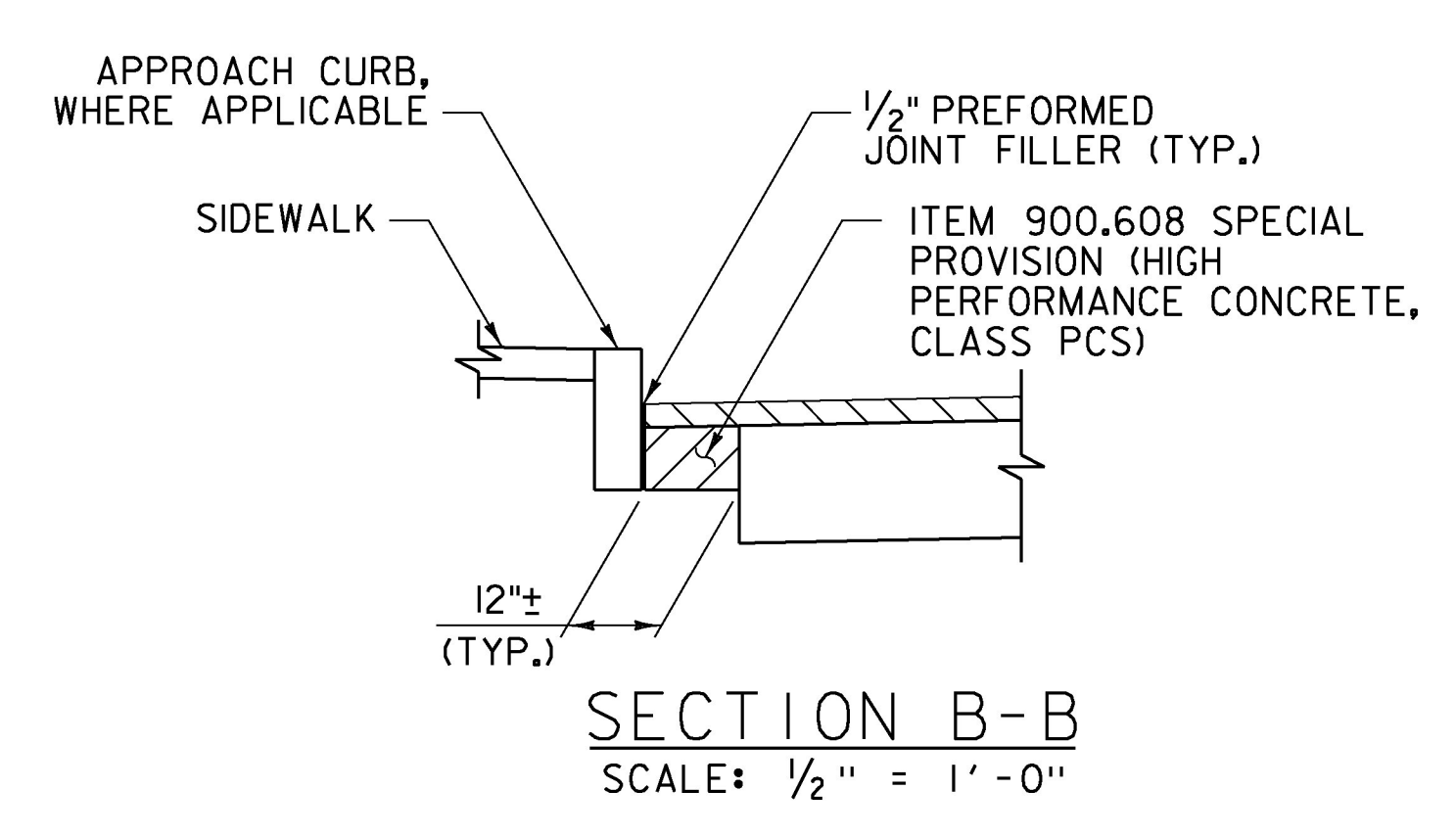
APPROACH SLAB #1 PLAN
SCALE 3/8" = 1'-0"



APPROACH SLAB #2 PLAN
SCALE 3/8" = 1'-0"



SECTION A-A
SCALE: 1/2" = 1'-0"



SECTION B-B
SCALE: 1/2" = 1'-0"

NOTES:
 NF = NEAR FACE
 FF = FAR FACE
 EF = EACH FACE
 ▲ = CUT TO FIT IN FIELD
 ALL LAPS ARE 2'-0" UNLESS OTHERWISE SPECIFIED ON THE PLANS.



PROJECT NAME: ST JOHNSBURY	PLOT DATE: 9/30/2016
PROJECT NUMBER: BRO 1447(30)	DRAWN BY: L. BUXTON
FILE NAME: z12j164app slabs.dgn	DESIGNED BY: N. TIRK
PROJECT LEADER: M. CHENETTE	CHECKED BY: N. TIRK
APPROACH SLAB DETAILS	SHEET 33 OF 76