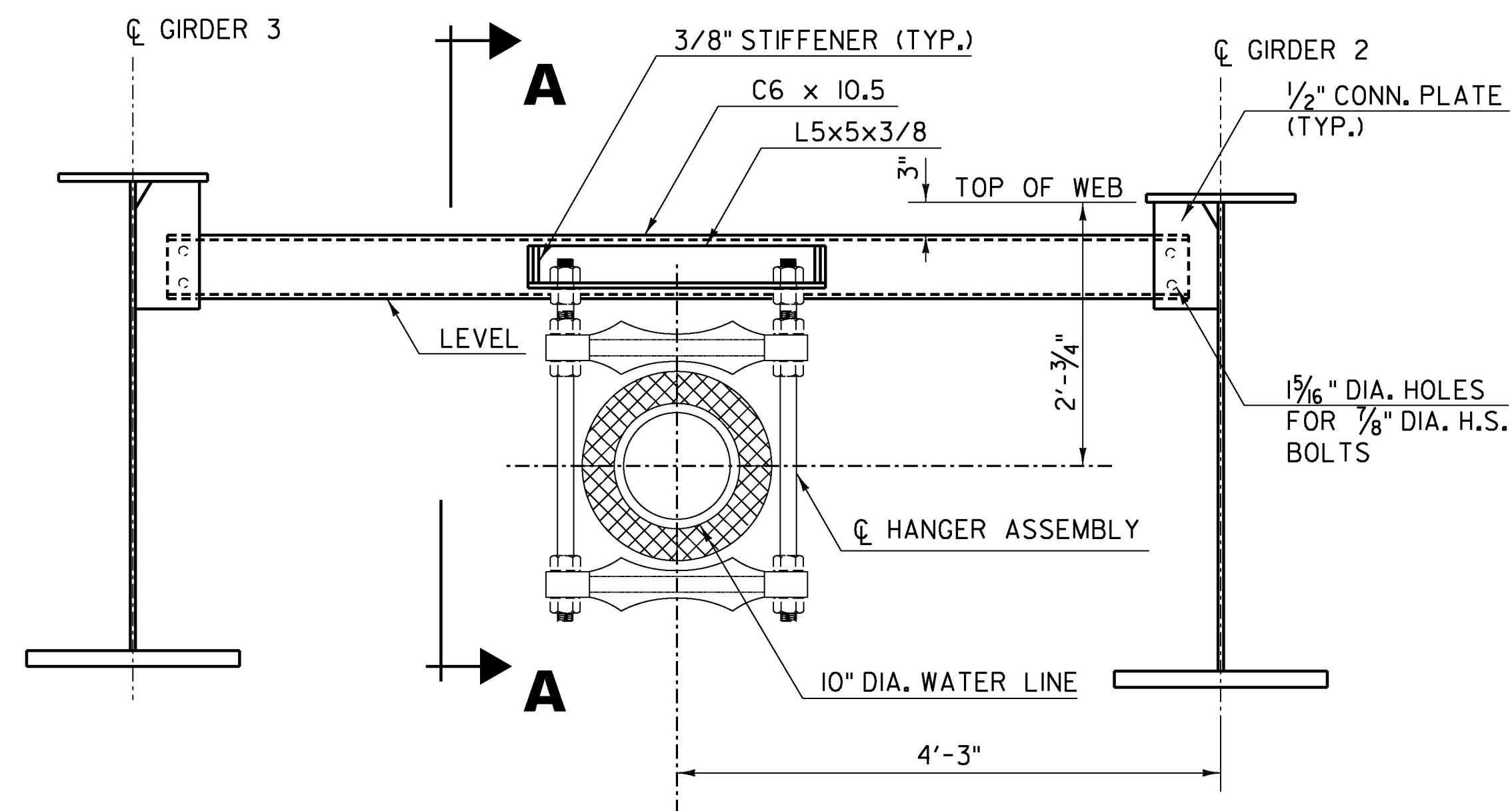
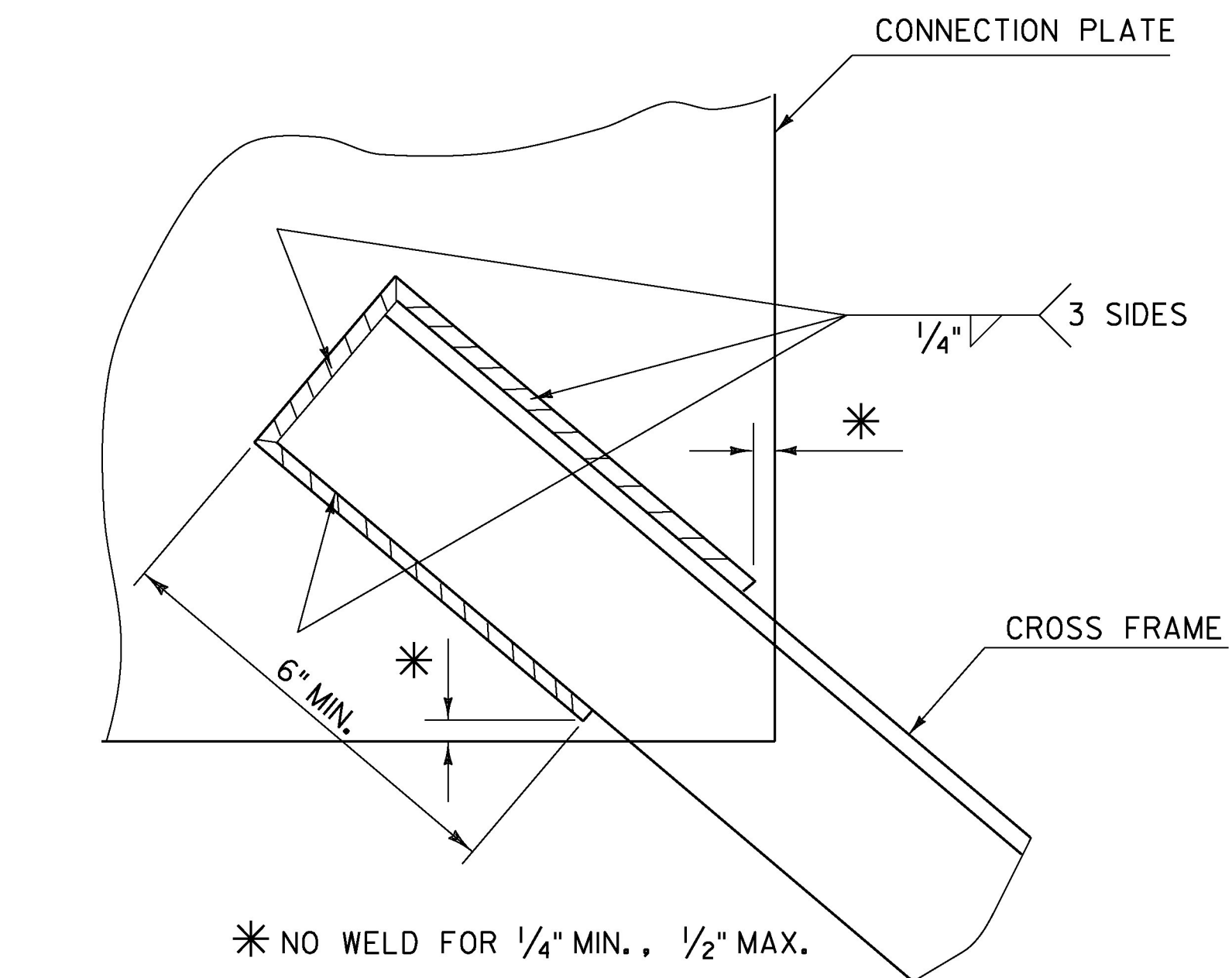
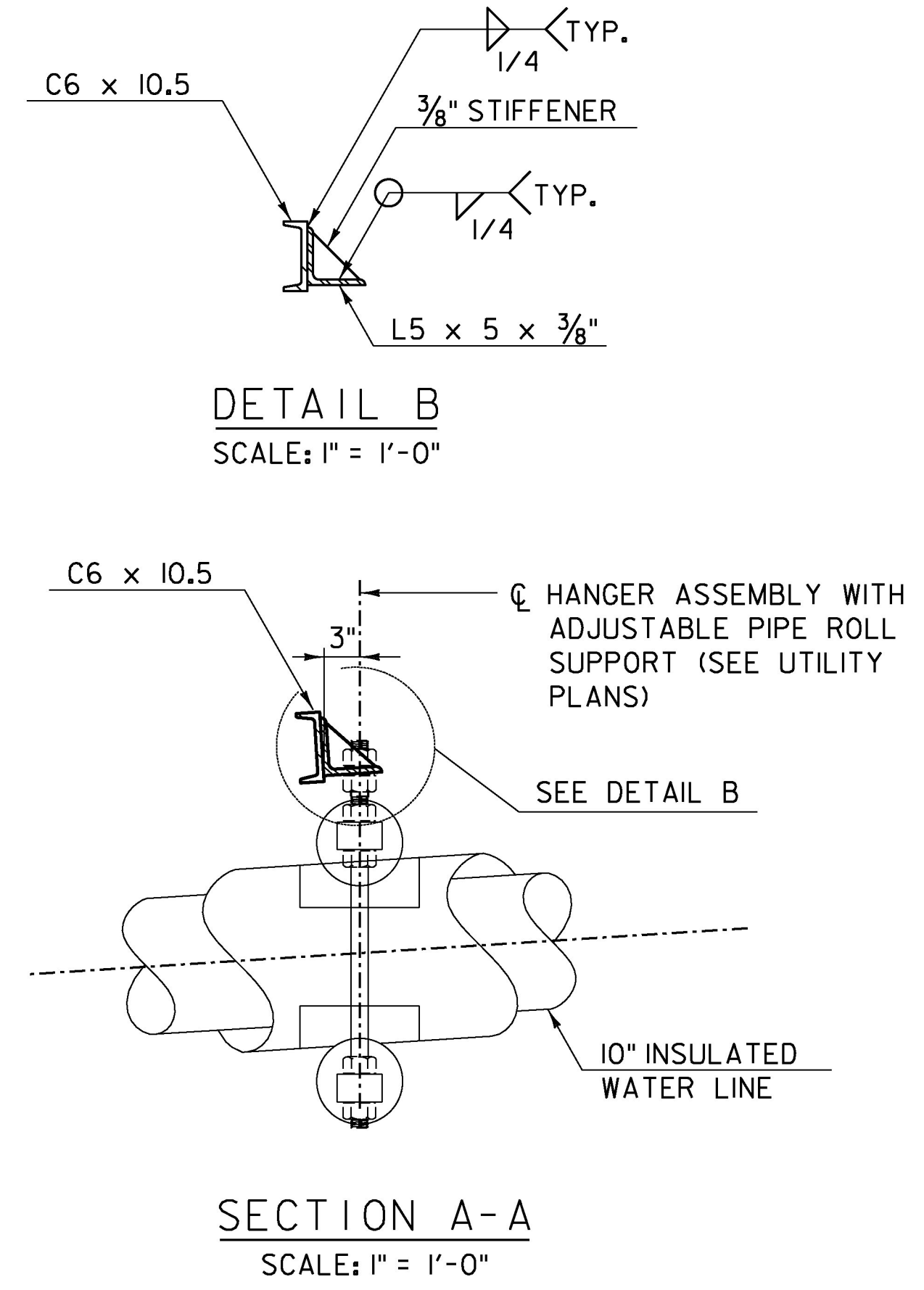


INTERMEDIATE CROSS FRAME SHOWN,
ABUTMENT CROSS FRAME SIMILAR
INTERMEDIATE AND ABUTMENT CROSS-FRAME DETAIL
SCALE: 1" = 1'-0"



(LOOKING BACK STATION)
UTILITY SUPPORT DETAIL
SCALE: 1" = 1'-0"



PROJECT NAME:	ST JOHNSBURY
PROJECT NUMBER:	BRO 1447(30)
FILE NAME:	z12j164fra_dets.dgn
PROJECT LEADER:	M. CHENETTE
DESIGNED BY:	D. TAYLOR
STEEL DETAILS	
PLOT DATE:	9/30/2016
DRAWN BY:	J. SOTER
CHECKED BY:	TEK/DDT
SHEET	31 OF 76

