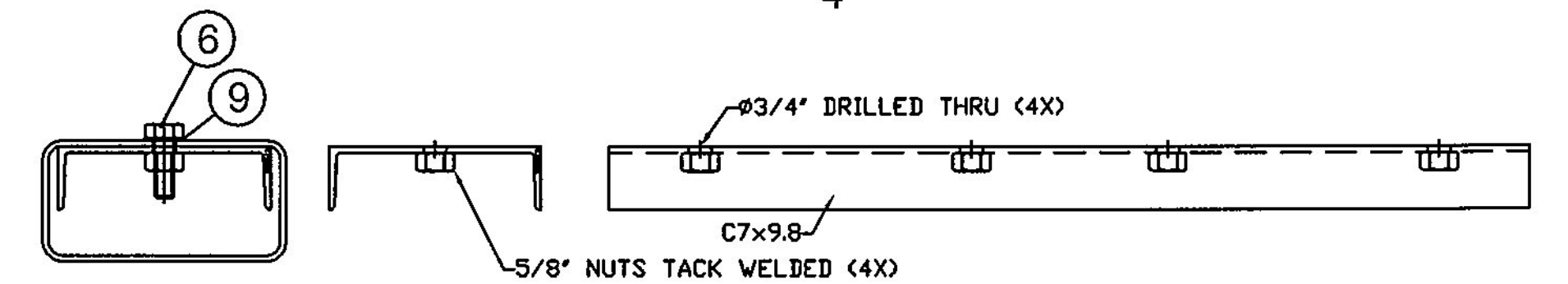
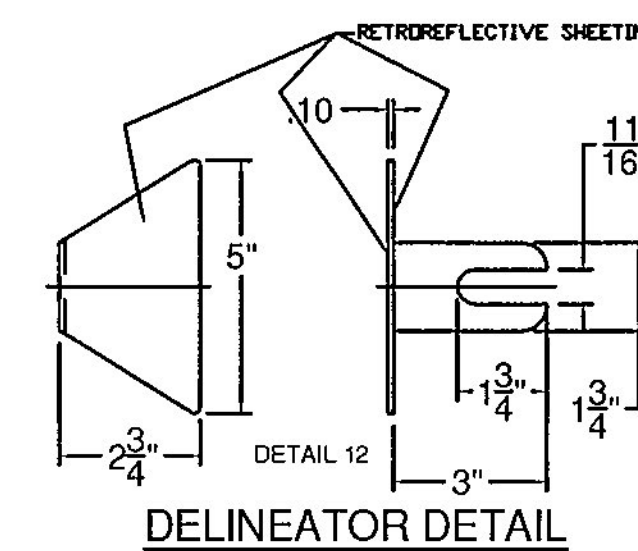
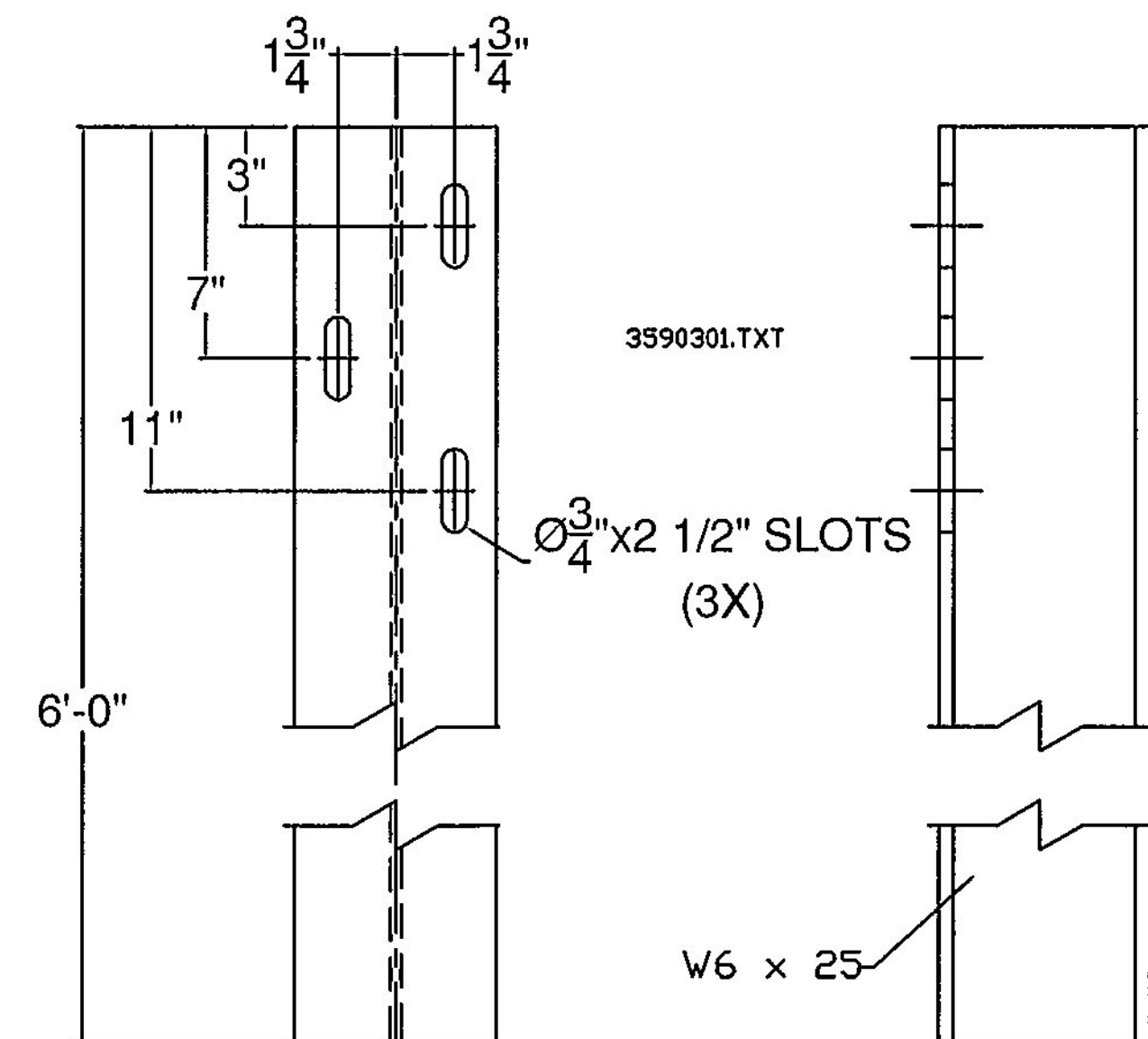
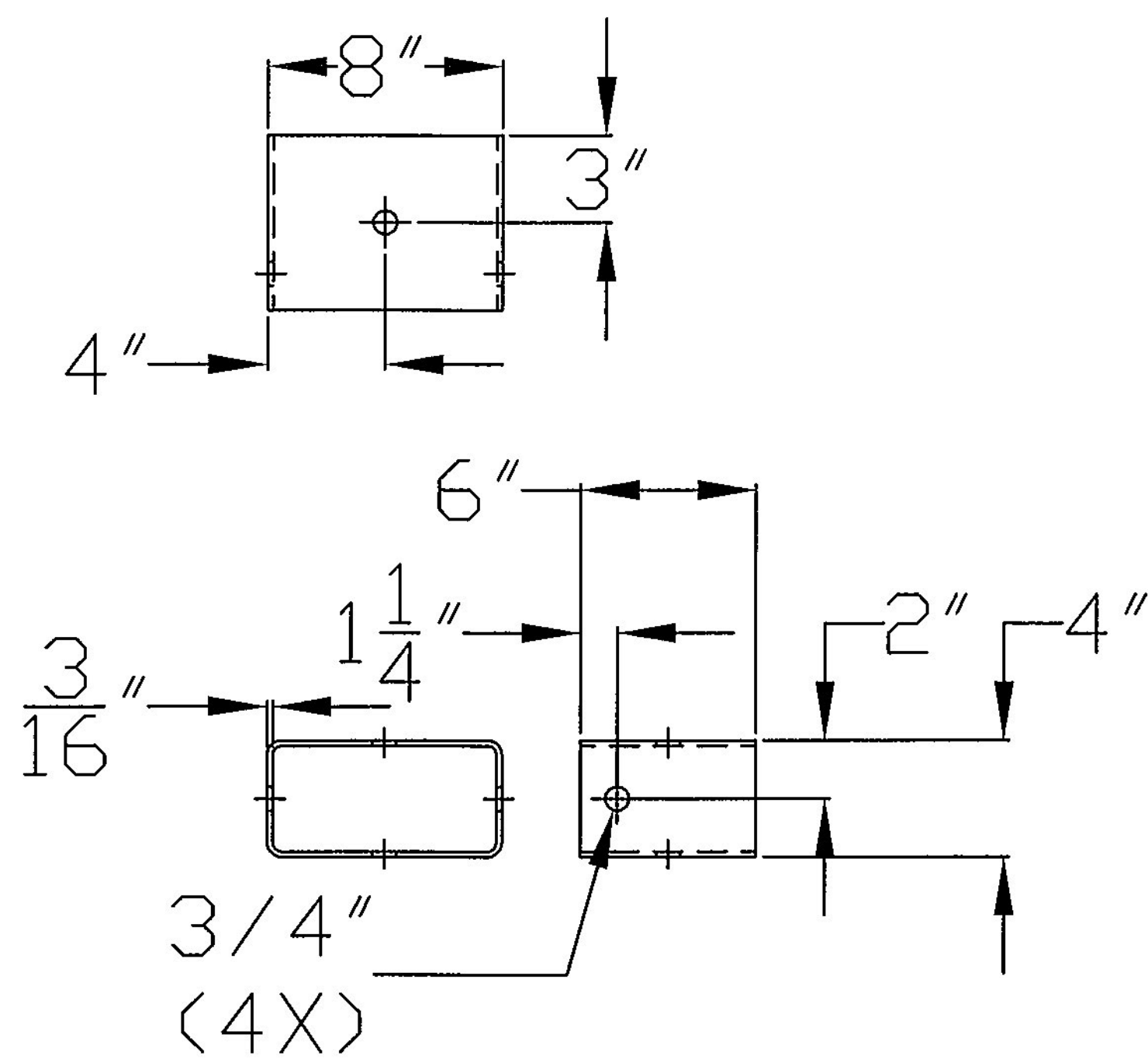
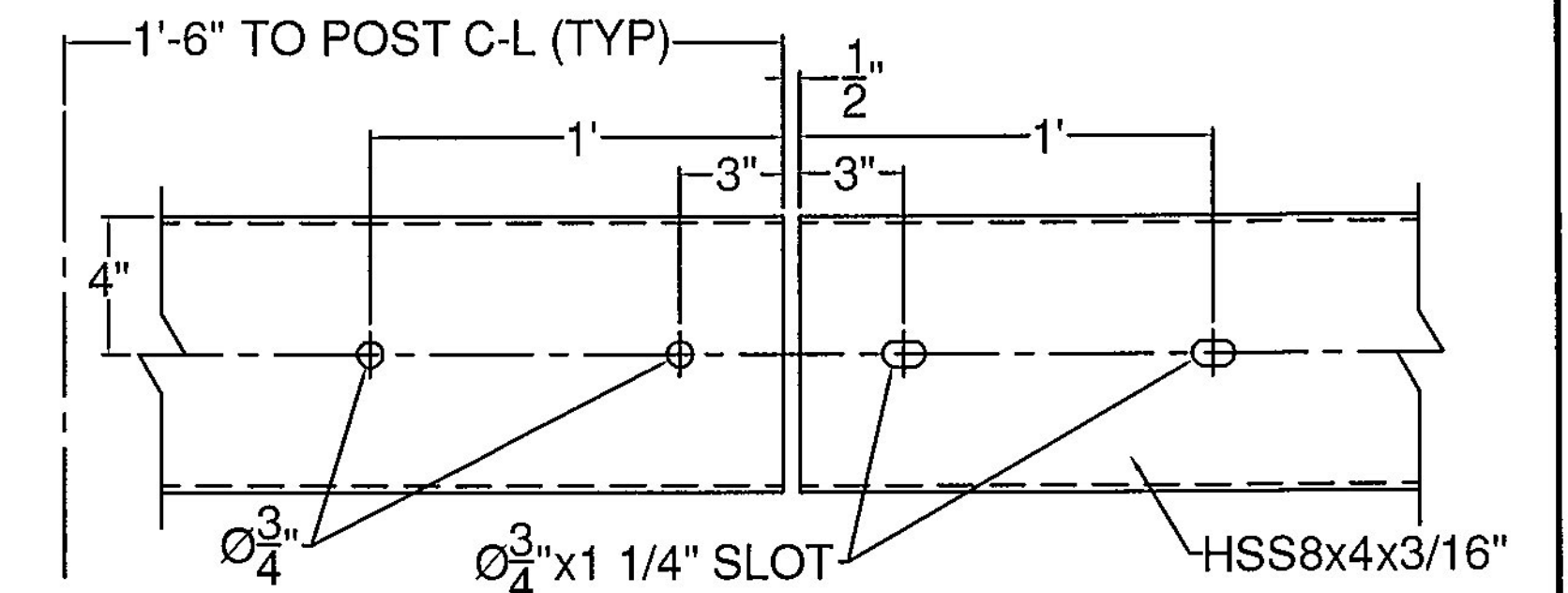
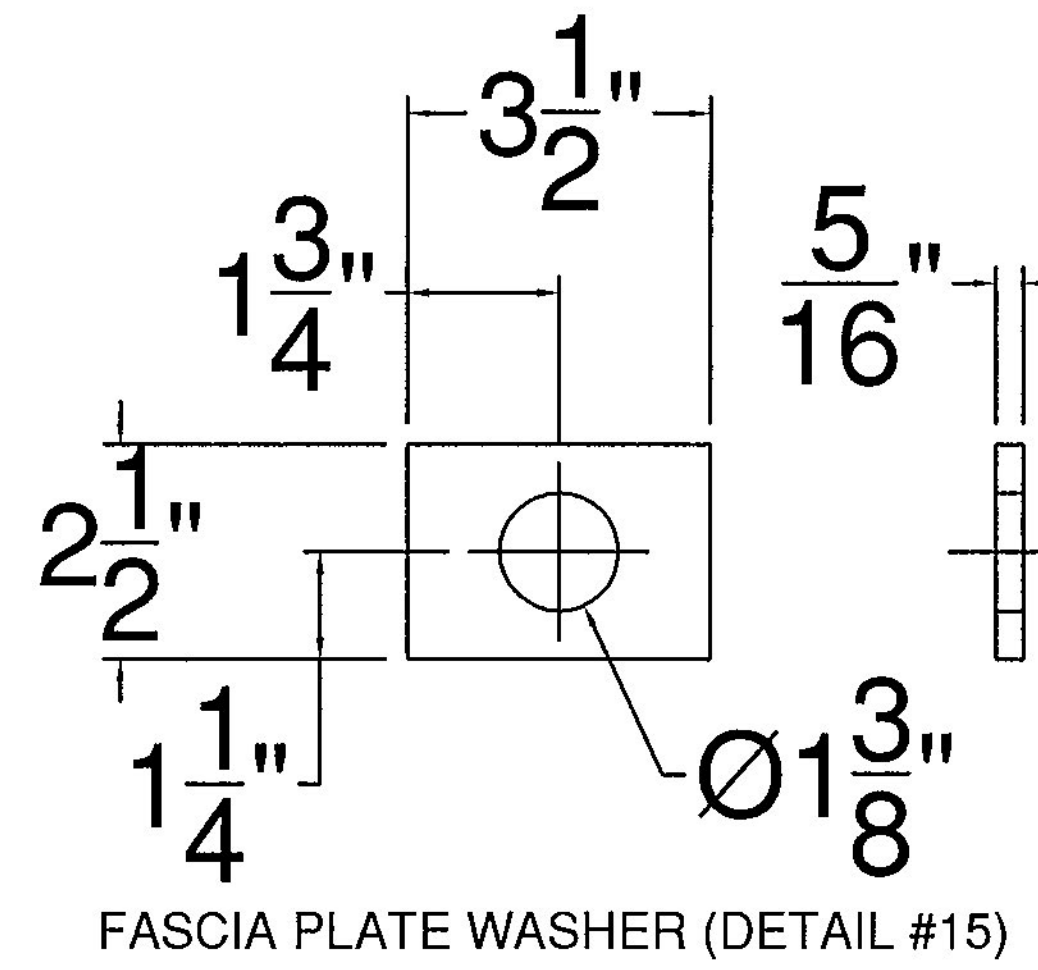
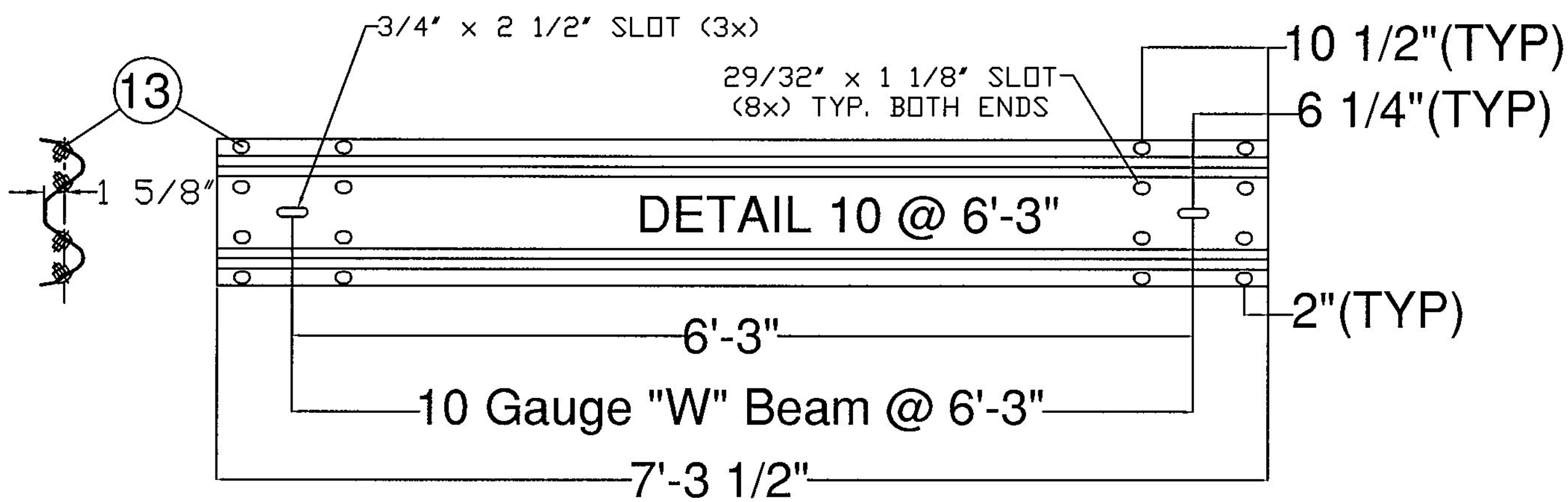
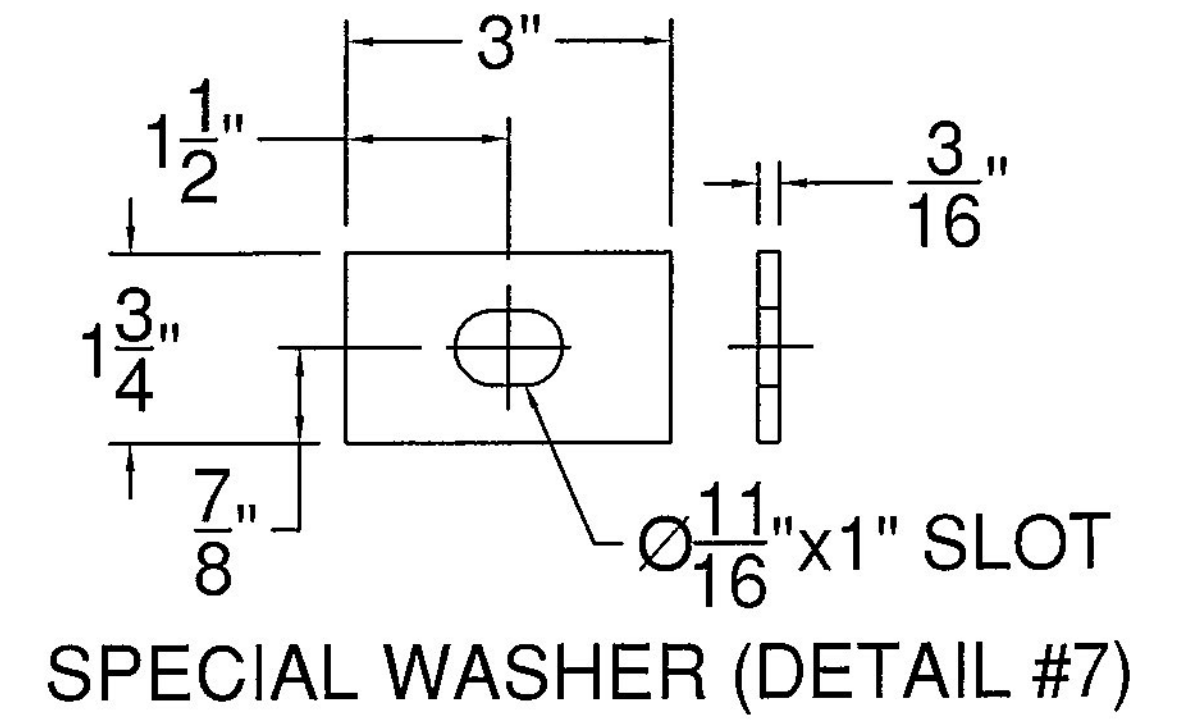
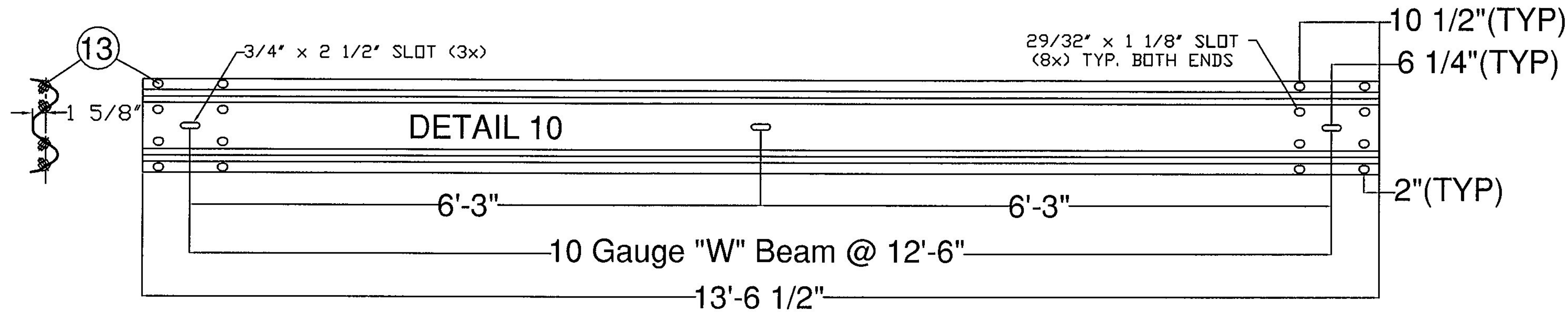


**RECEIVED**

CK'D BY D. PETERSON OK'D BY C. CARLSON

July 19, 2016

RESUBMIT NO Approved  
BY C. CARLSON DATE 07/28/2016



ITEM #: 525.44

STRUCTURAL STEEL TO COMPLY W/ ASTM A6

GALVANIZING TO BE PER ASTM A123, UNLESS OTHERWISE SPECIFIED.

TOLERANCE UNLESS OTHERWISE NOTED:  
HOLES - ± 1/32"  
FRACTIONS - ± 1/16"  
ANGLES - ± 1/2°

**BRIDGE RAIL DETAILS SHEET**

ROUTE NO: TOWN HIGHWAY 22, CLASS 3 (CAMELS HUMP ROAD) BRIDGE NO : 30 - EAST SIDE  
TOWN OF HUNTINGTON, COUNTY OF CHITTENDEN, VERMONT

R NO.	DATE	DESCRIPTION	BY	R NO.	DATE	DESCRIPTION	BY
E 1	7/19/16	SEPARATE DRAWINGS FOR EAST & WEST	E.P.				
V							

DRAWN	D.K.	2/23/16
CHECKED	E.P.	2/24/16
APPROVED	D.L.	2/24/16
SCALE	SCHEMATIC	

DRAWING NO. FR LAFAYETTE-HUNTINGTON - E



**ELDERLEE, INC.**  
OAKS CORNERS, NEW YORK 14518  
email: [dlong@elderlee.com](mailto:dlong@elderlee.com) / [speak@elderlee.com](mailto:speak@elderlee.com)  
Tel: 315-789-6670 Fax: 315-789-6615



CERTIFIED FABRICATOR  
ORTHOGONAL PROJECTION