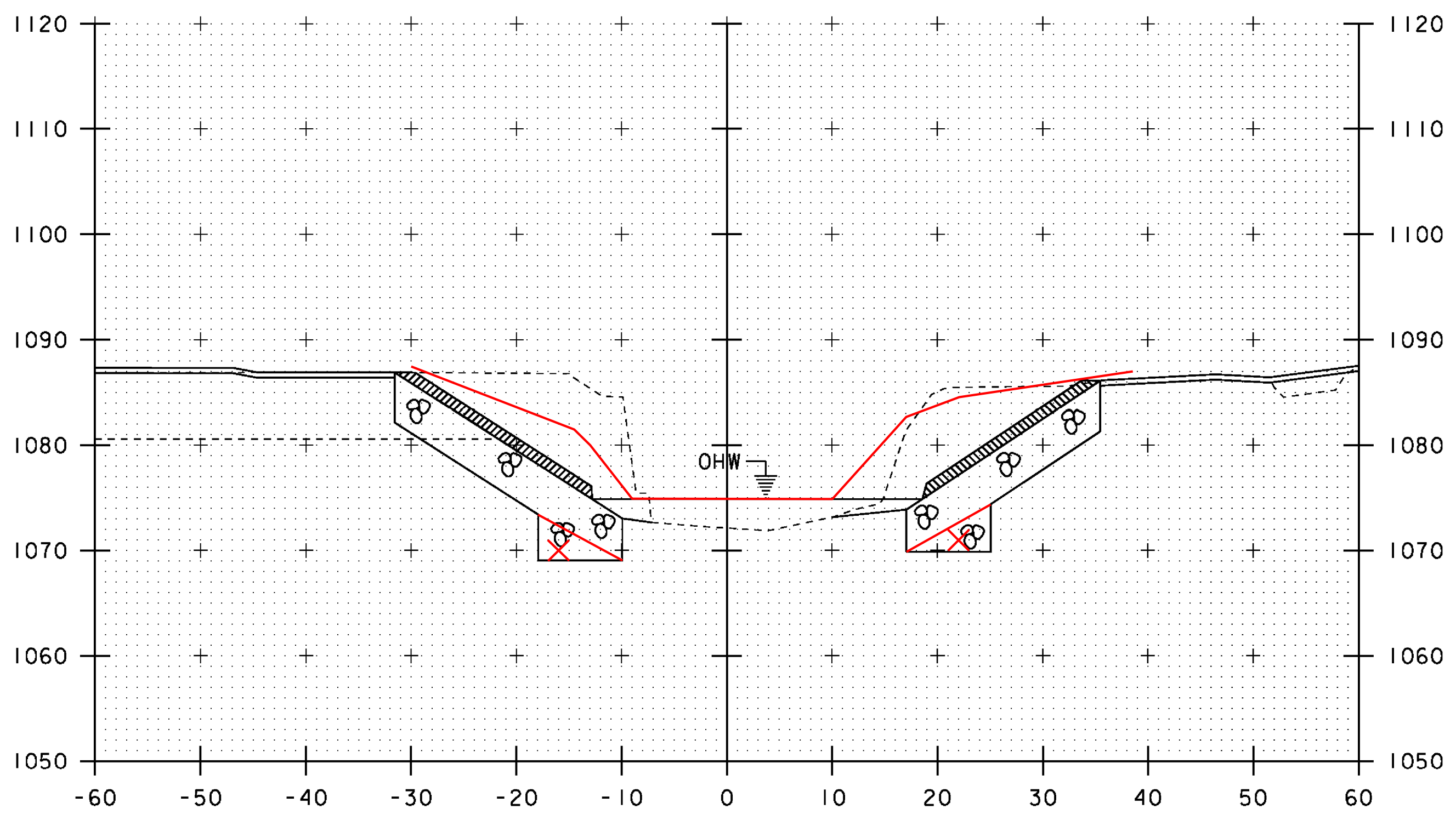
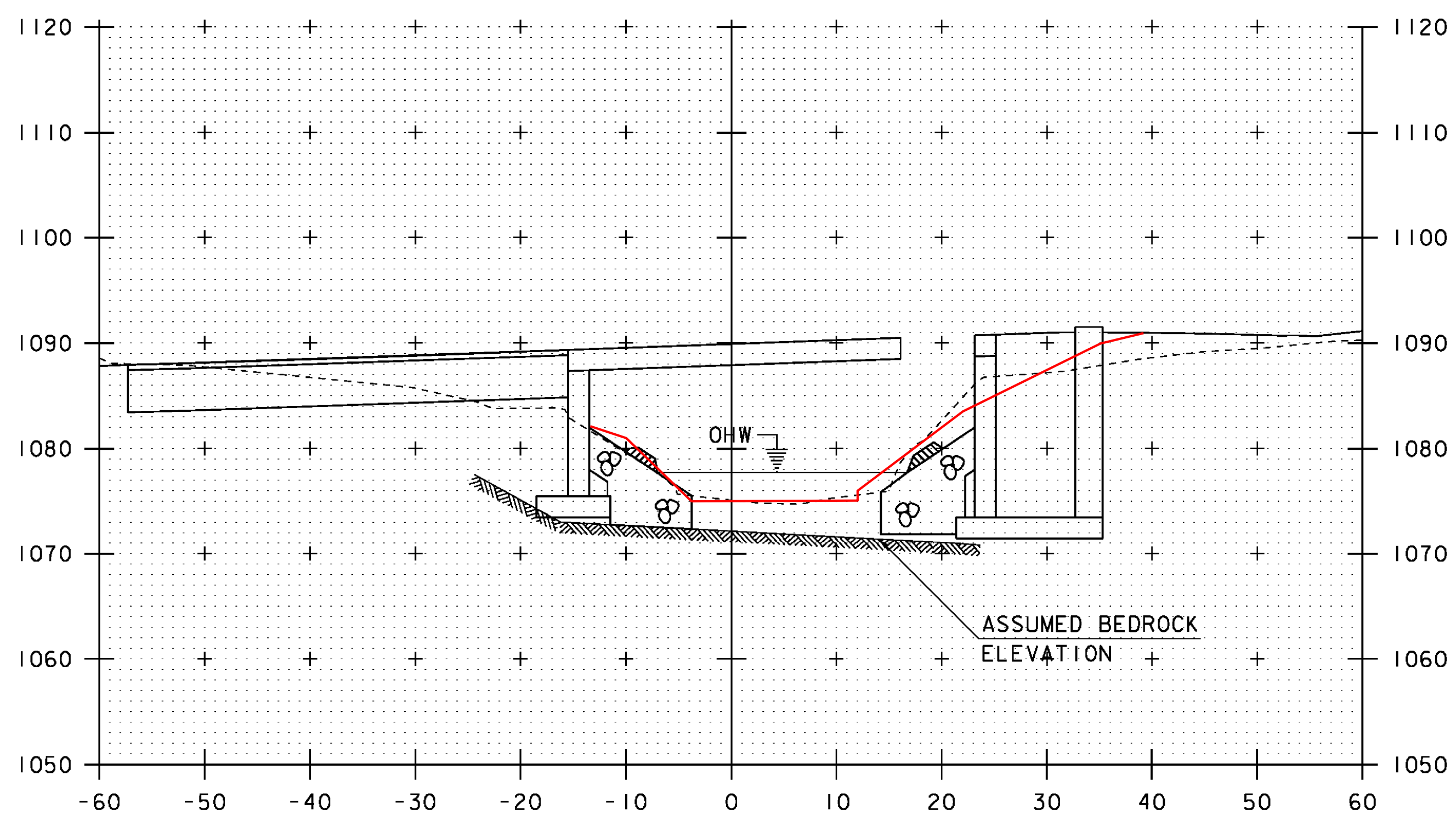


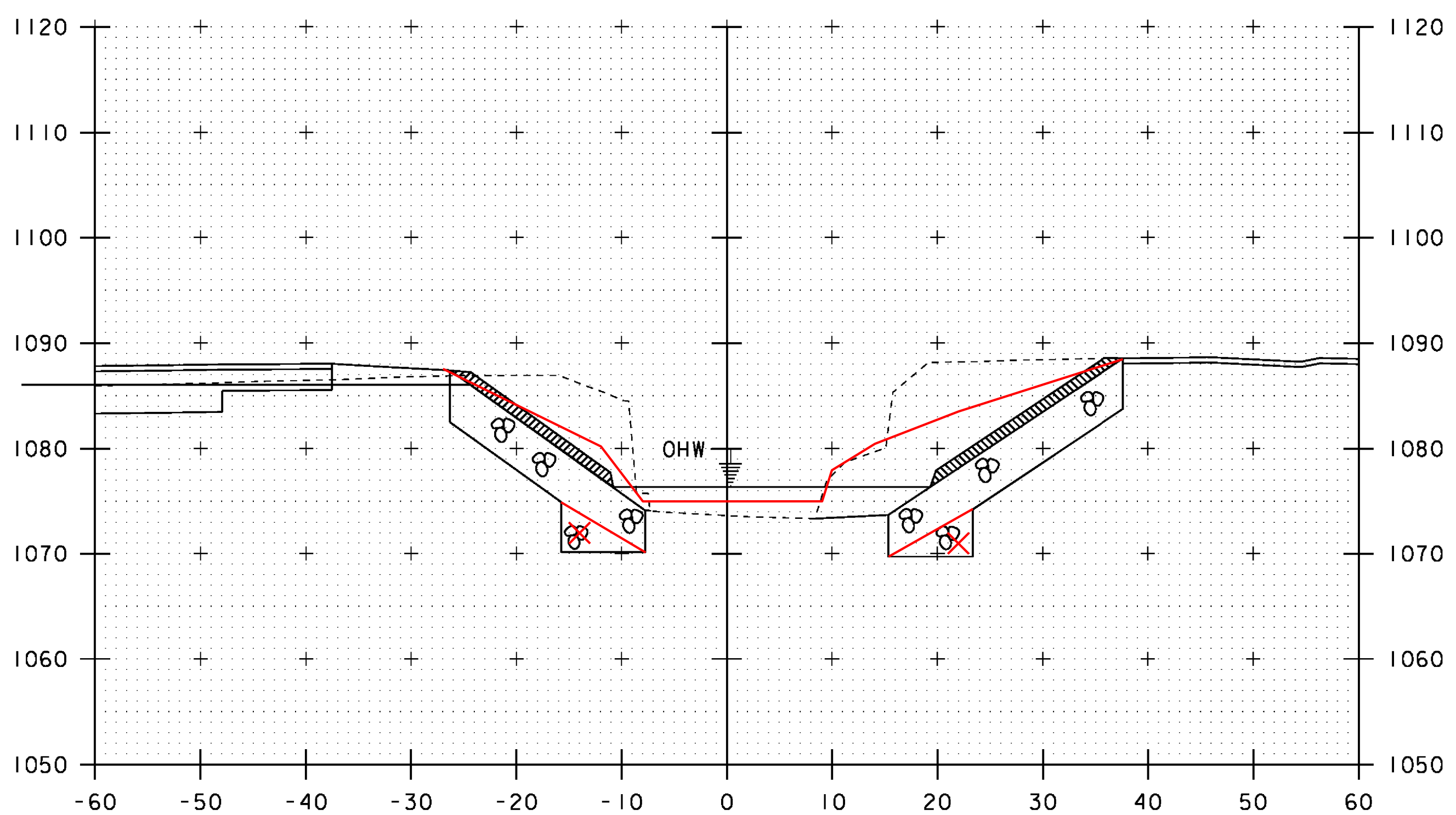
10+40



10+60



10+30



10+50

SCALE 1" = 10'-0"  
 10 0 10

STA. 10+30 TO STA. 10+60

PROJECT NAME:	HUNTINGTON	PLOT DATE:	15-OCT-2015
PROJECT NUMBER:	BRO 1445(35)	DRAWN BY:	R. PELLETT
FILE NAME:	s12j162xs.dgn	DESIGNED BY:	D. PETERSON
PROJECT LEADER:	C. CARLSON	CHANNEL CROSS SECTIONS	3
		CHECKED BY:	D. PETERSON
		SHEET	35 OF 44