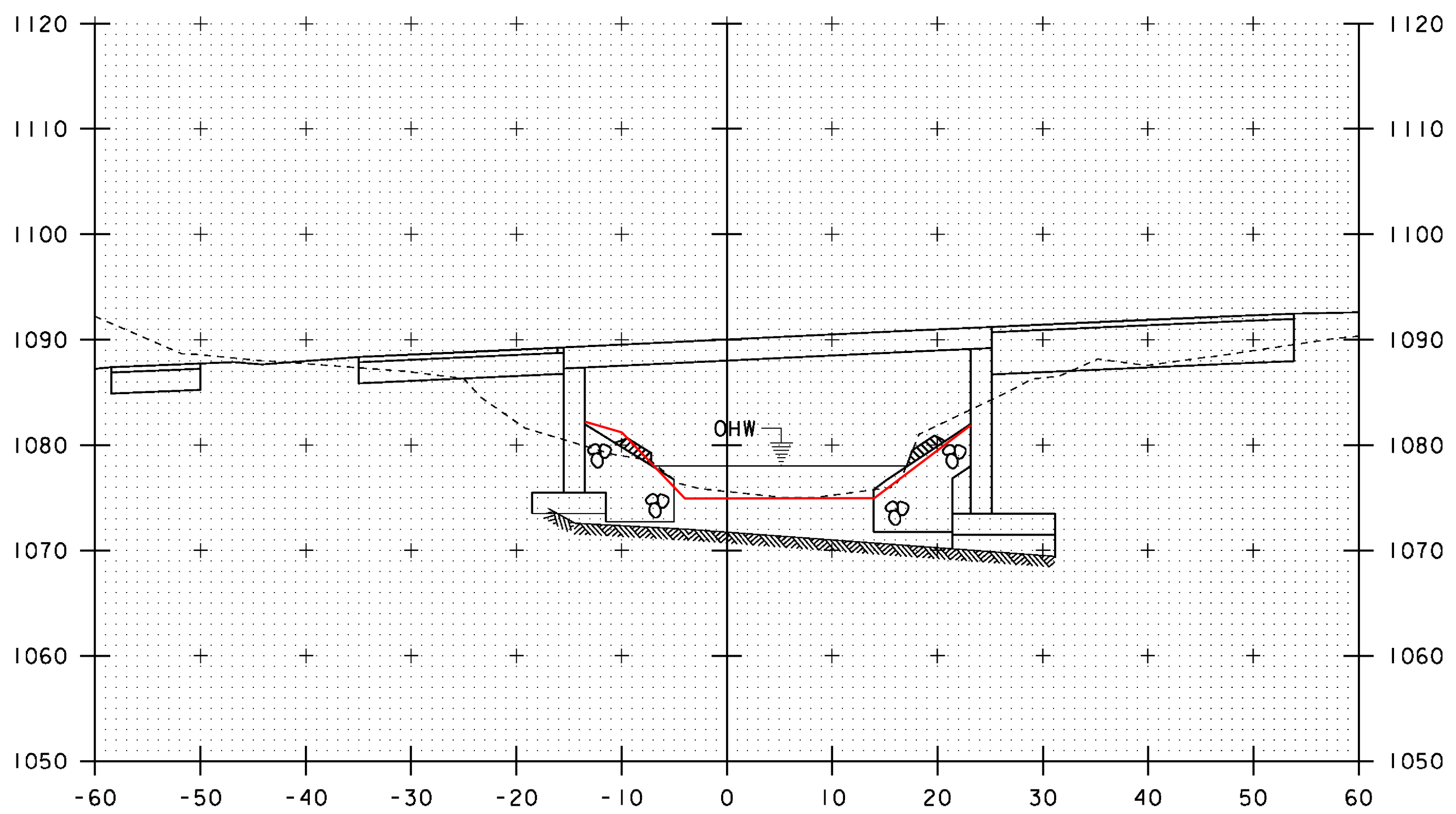
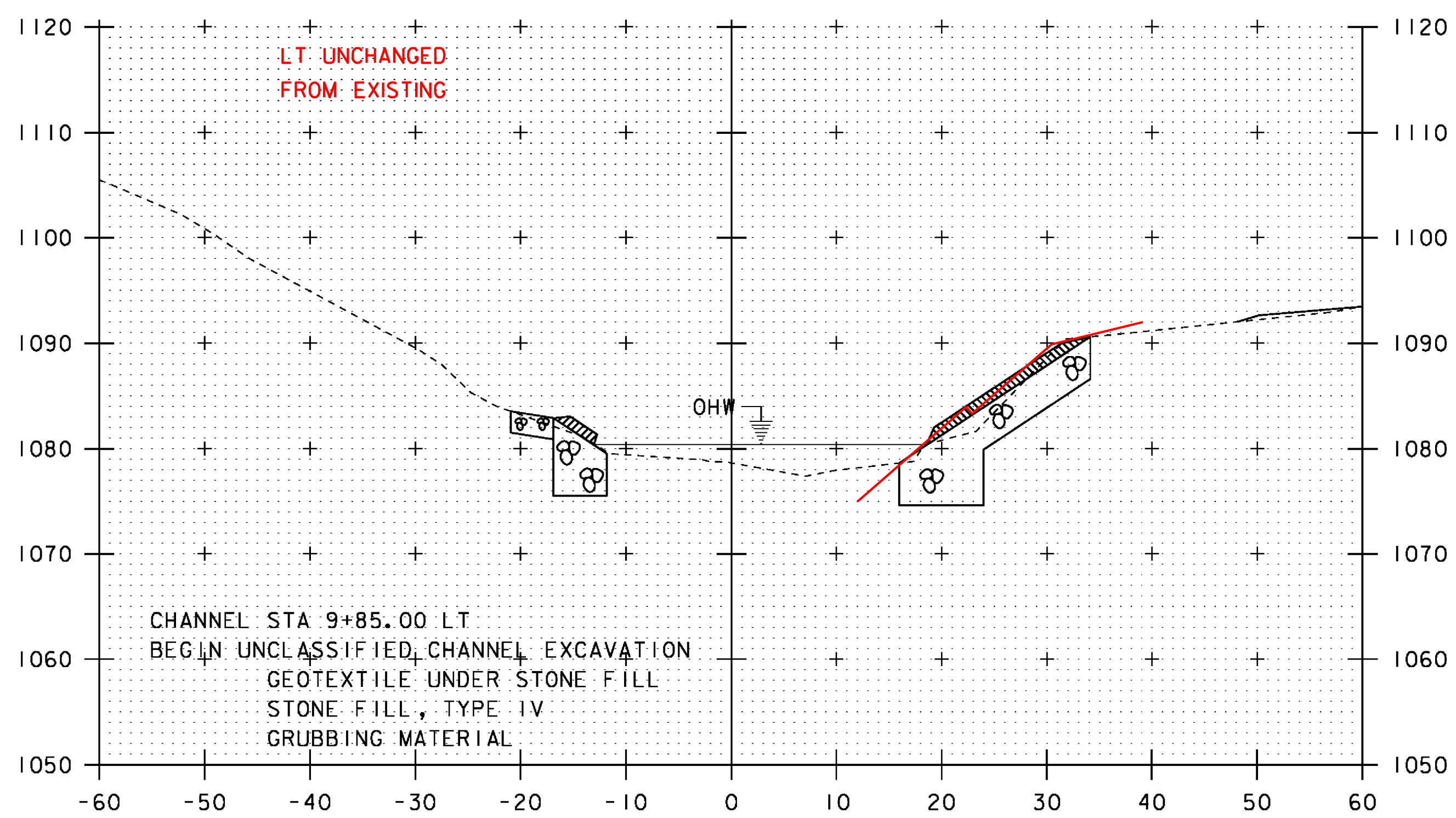


10+00



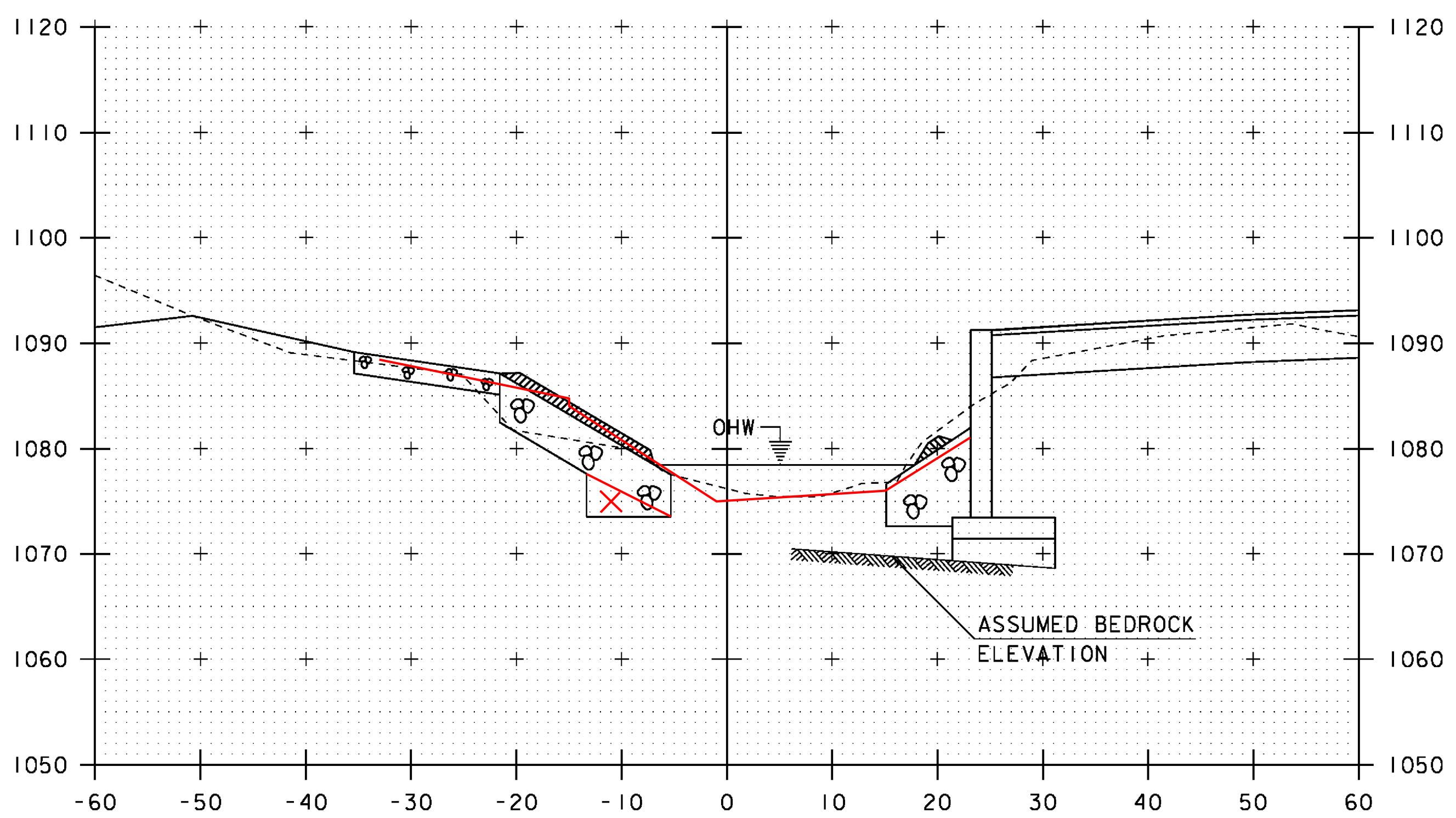
10+20



9+90

LT UNCHANGED FROM EXISTING

CHANNEL STA 9+85.00 LT  
 BEGIN UNCLASSIFIED CHANNEL EXCAVATION  
 GEOTEXTILE UNDER STONE FILL  
 STONE FILL, TYPE IV  
 GRUBBING MATERIAL



10+10

ASSUMED BEDROCK ELEVATION

SCALE 1" = 10'-0"  
 10 0 10

STA. 9+90 TO STA. 10+20

PROJECT NAME:	HUNTINGTON	PLOT DATE:	15-OCT-2015
PROJECT NUMBER:	BRO 1445(35)	DRAWN BY:	R. PELLETT
FILE NAME:	s12j162xs.dgn	DESIGNED BY:	D. PETERSON
PROJECT LEADER:	C. CARLSON	CHECKED BY:	D. PETERSON
CHANNEL CROSS SECTIONS 2		SHEET	34 OF 44