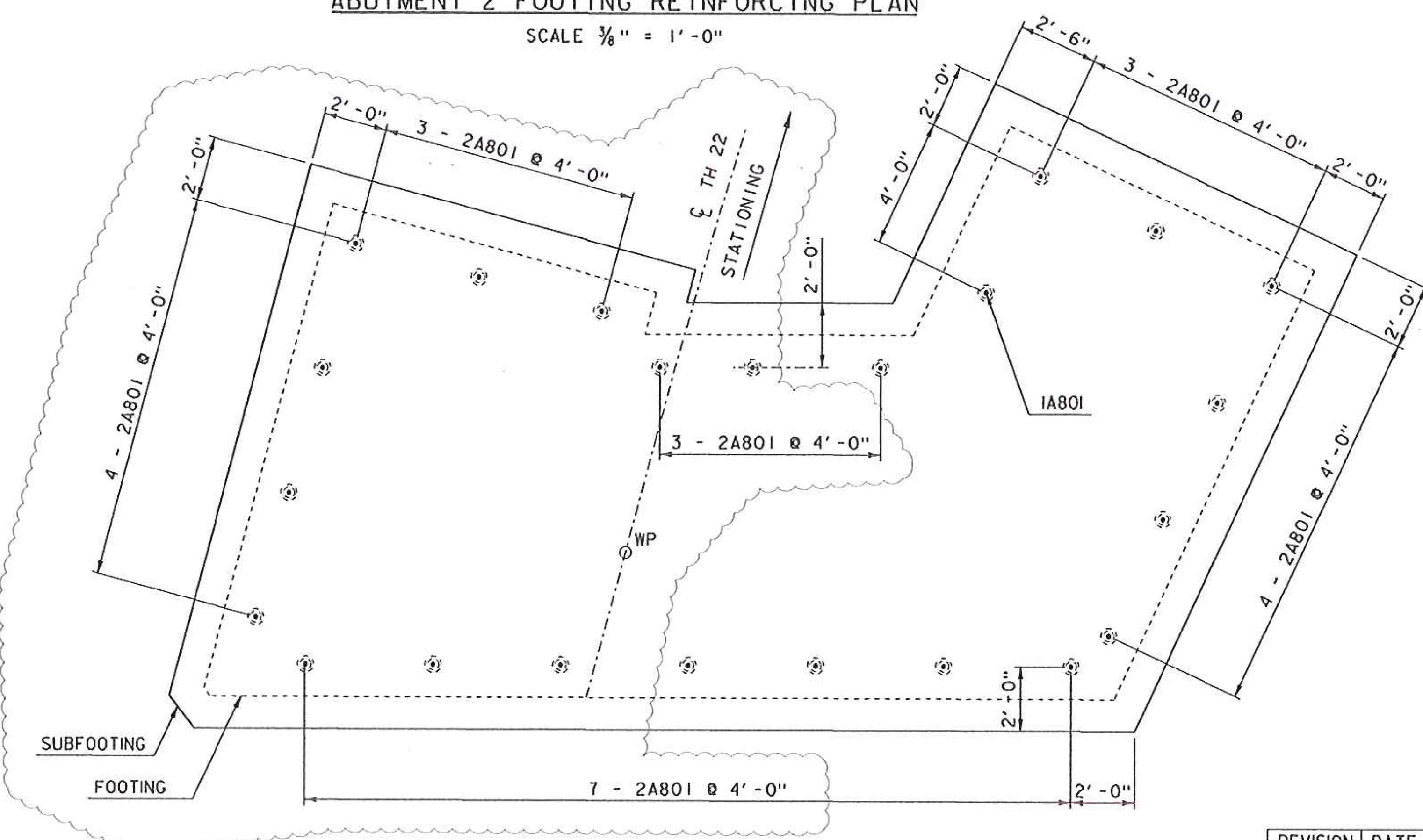
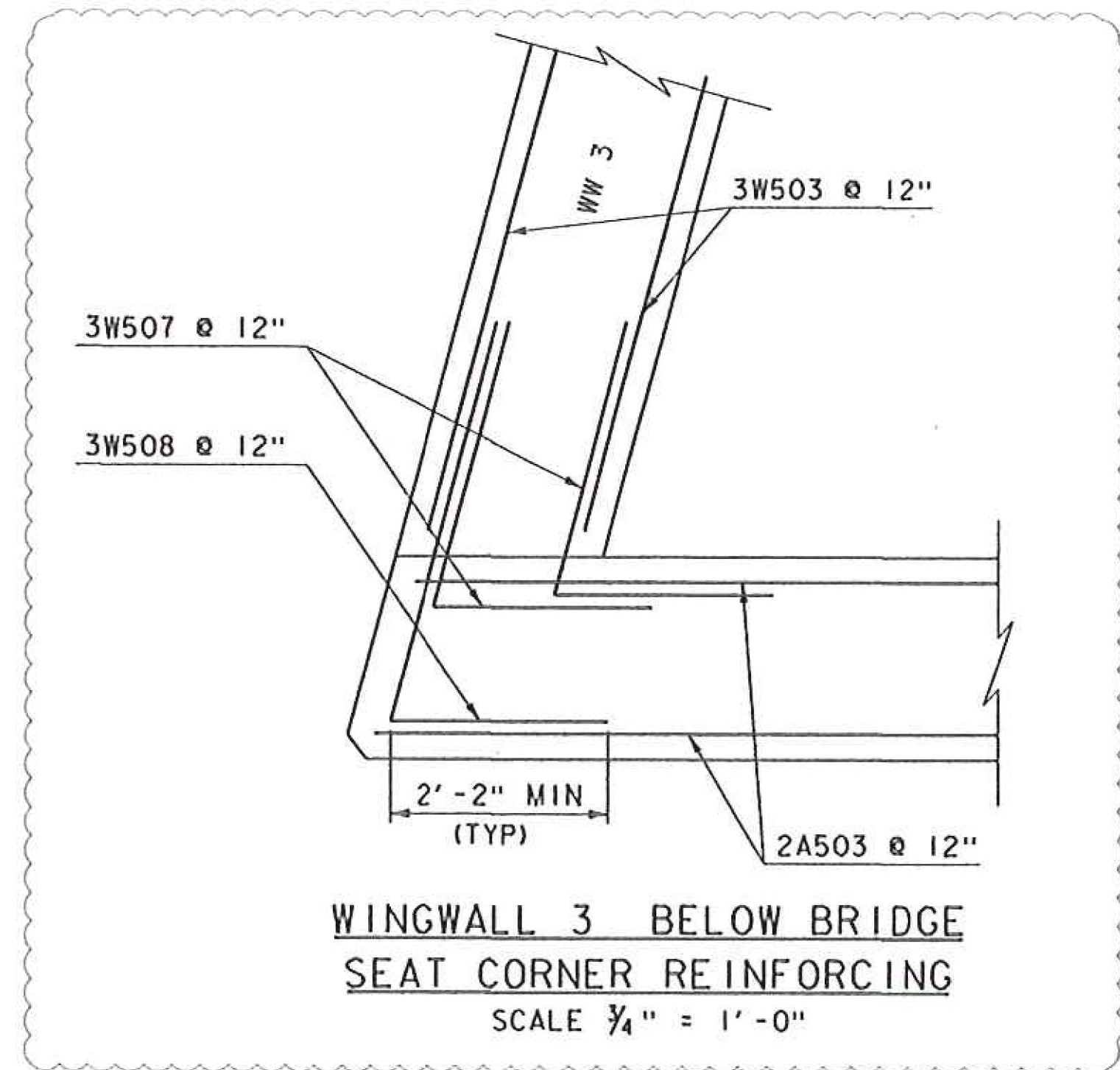


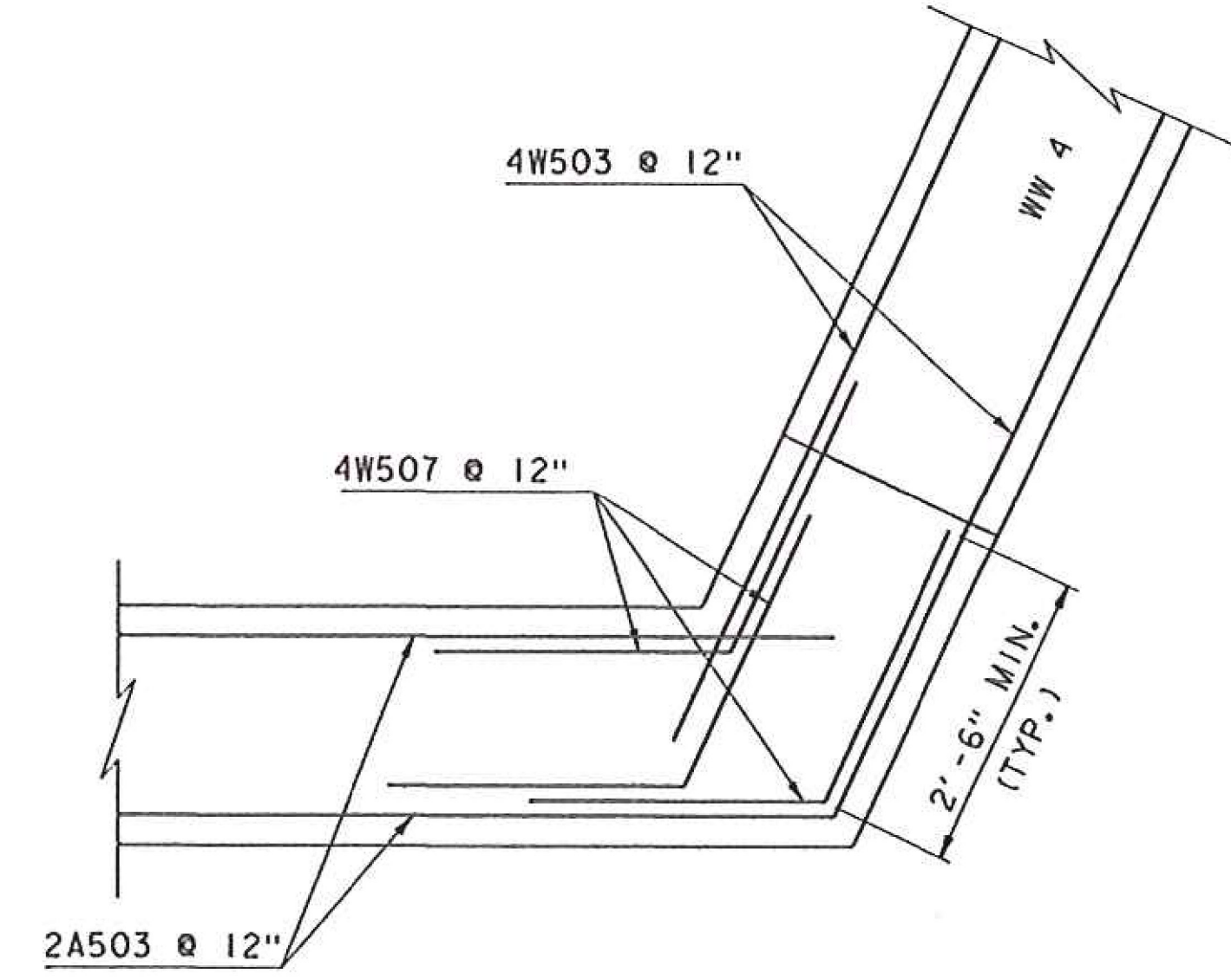
ABUTMENT 2 FOOTING REINFORCING PLAN  
SCALE 3/8" = 1'-0"



ABUTMENT 2 SUBFOOTING REINFORCING PLAN  
SCALE 3/8" = 1'-0"



WINGWALL 3 BELOW BRIDGE  
SEAT CORNER REINFORCING  
SCALE 3/4" = 1'-0"



WINGWALL 4 CORNER  
REINFORCING  
SCALE 3/4" = 1'-0"

REVISION	DATE	DESCRIPTION	BY
3	07-12-2016	ABUTMENT 2 & WINGWALL 3 DIMENSION CHANGES	MCL

PROJECT NAME: HUNTINGTON	PROJECT NUMBER: BRO 1445(35)
FILE NAME: s12j162sub.dgn	PLOT DATE: 13-JUL-2016
PROJECT LEADER: C. CARLSON	DRAWN BY: R. PELLETT
DESIGNED BY: D. PETERSON	CHECKED BY: D. PETERSON
ABUTMENT 2 FOOTING PLAN	SHEET 26A OF 44