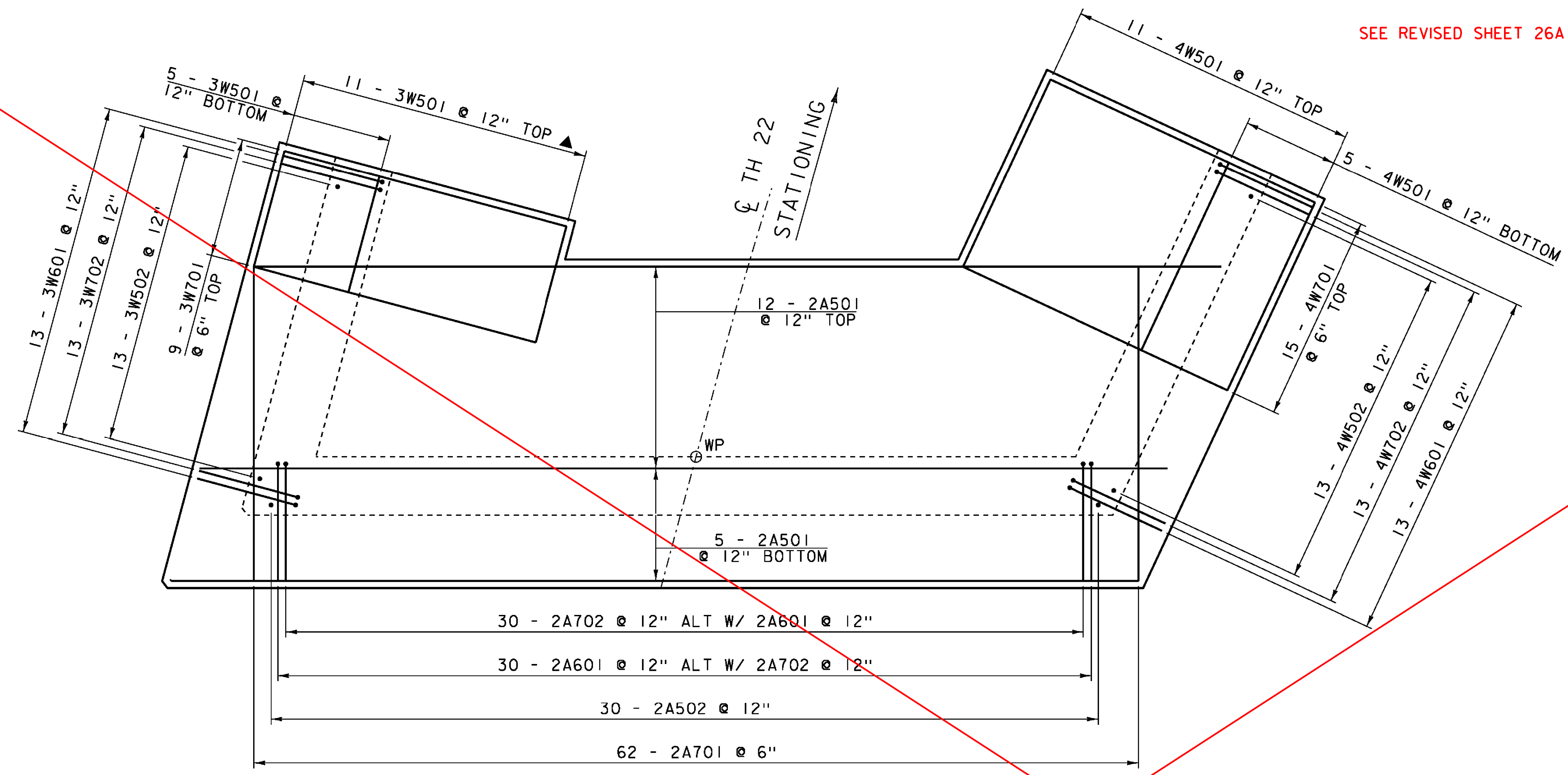
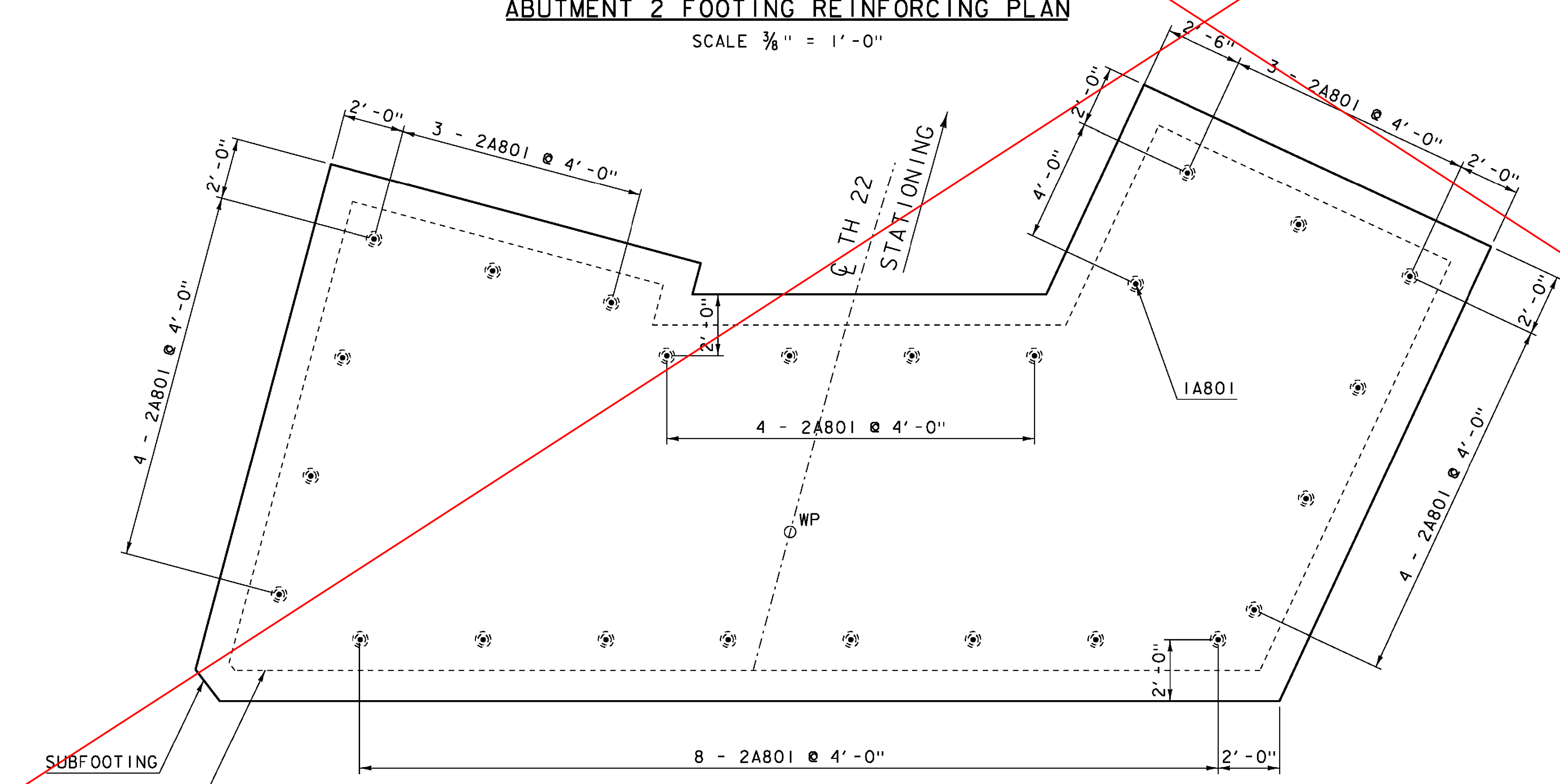


SEE REVISED SHEET 26A



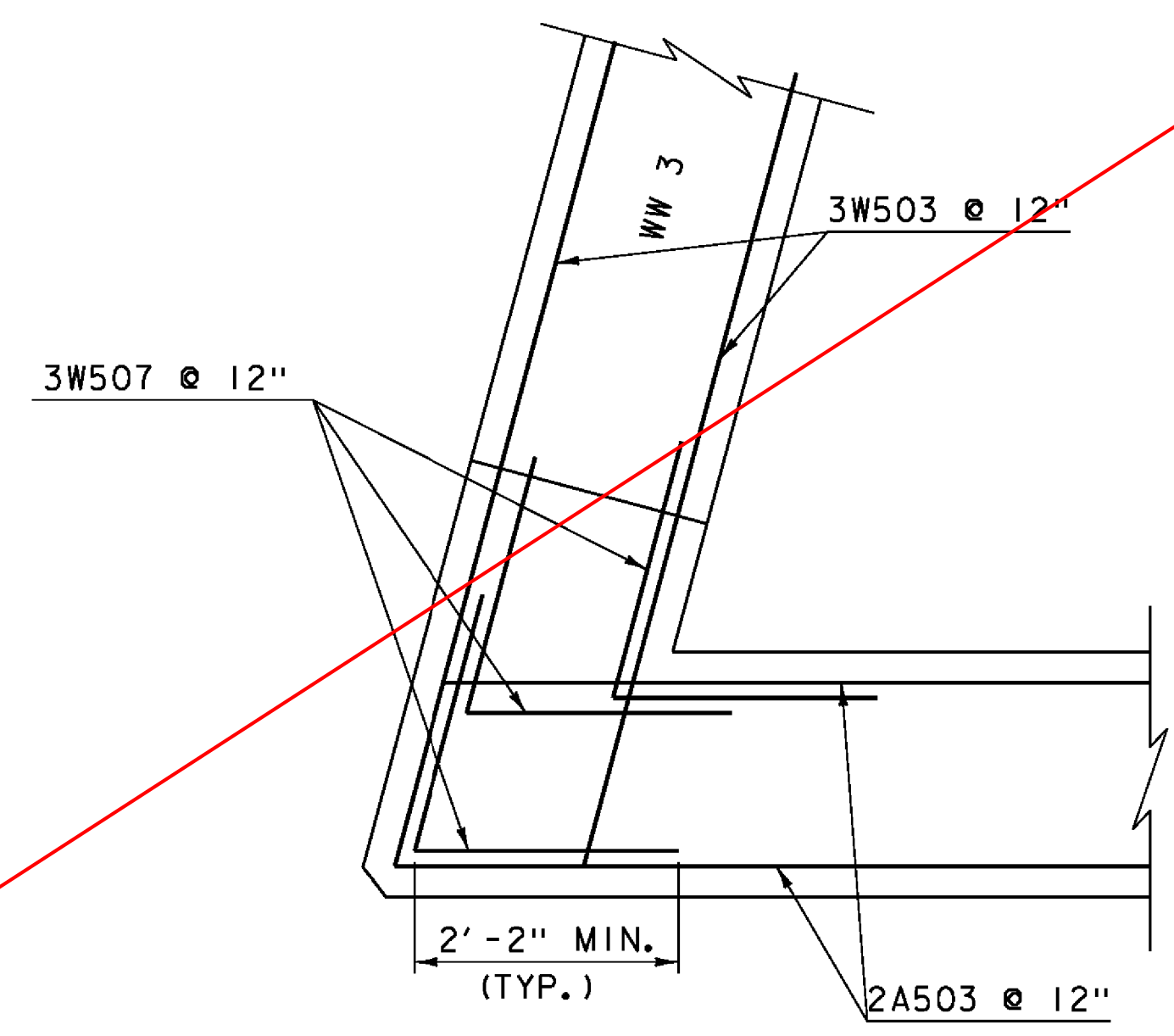
ABUTMENT 2 FOOTING REINFORCING PLAN

SCALE 3/8" = 1'-0"



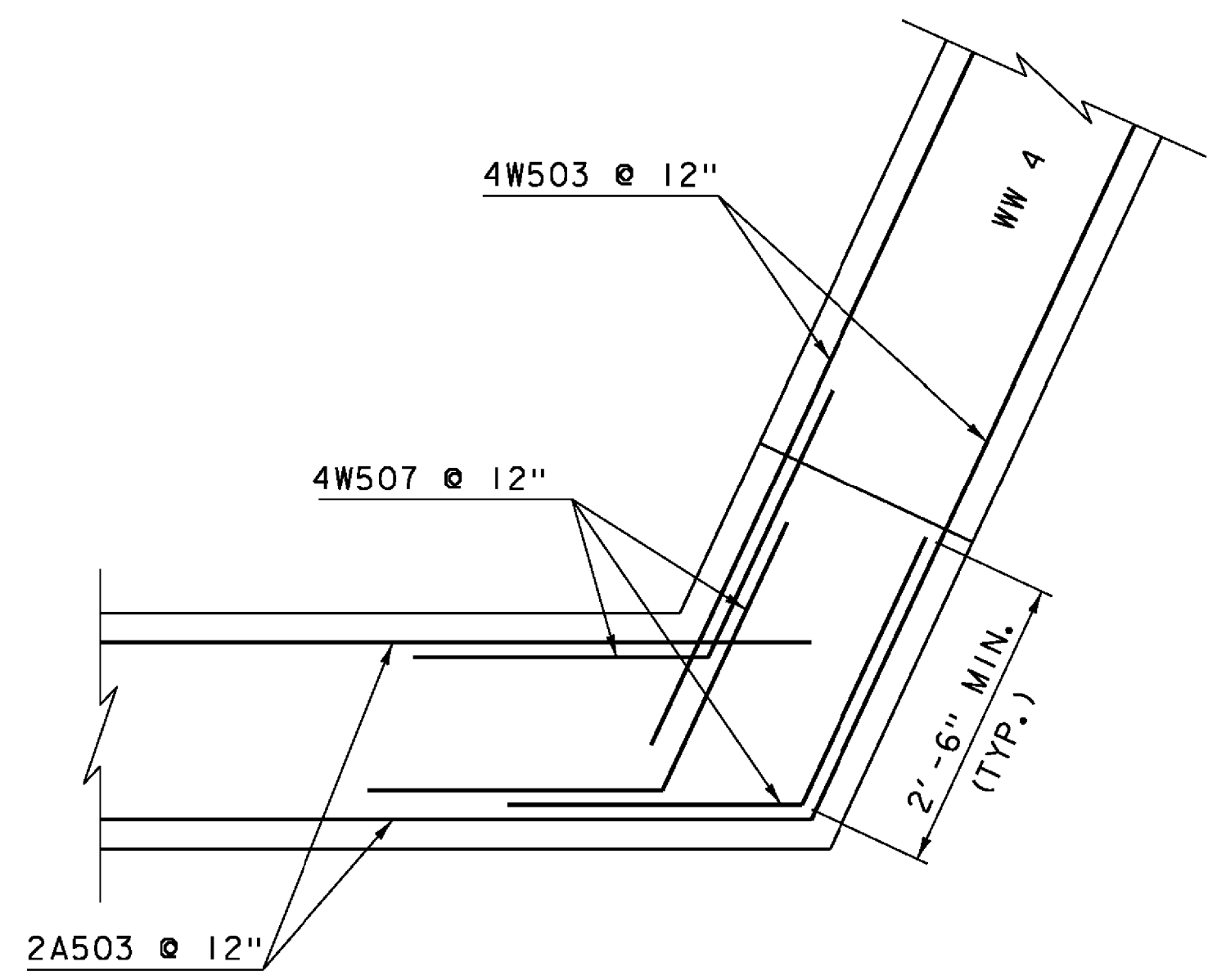
ABUTMENT 2 SUBFOOTING REINFORCING PLAN

SCALE 3/8" = 1'-0"



WINGWALL 3 CORNER REINFORCING

SCALE 3/4" = 1'-0"



WINGWALL 4 CORNER REINFORCING

SCALE 3/4" = 1'-0"

PROJECT NAME:	HUNTINGTON	PLOT DATE:	15-OCT-2015
PROJECT NUMBER:	BRO 1445(35)	DRAWN BY:	R. PELLETT
FILE NAME:	sl2j162sub.dgn	DESIGNED BY:	D. PETERSON
PROJECT LEADER:	C. CARLSON	CHECKED BY:	D. PETERSON
ABUTMENT 2 FOOTING PLAN		SHEET	26 OF 44