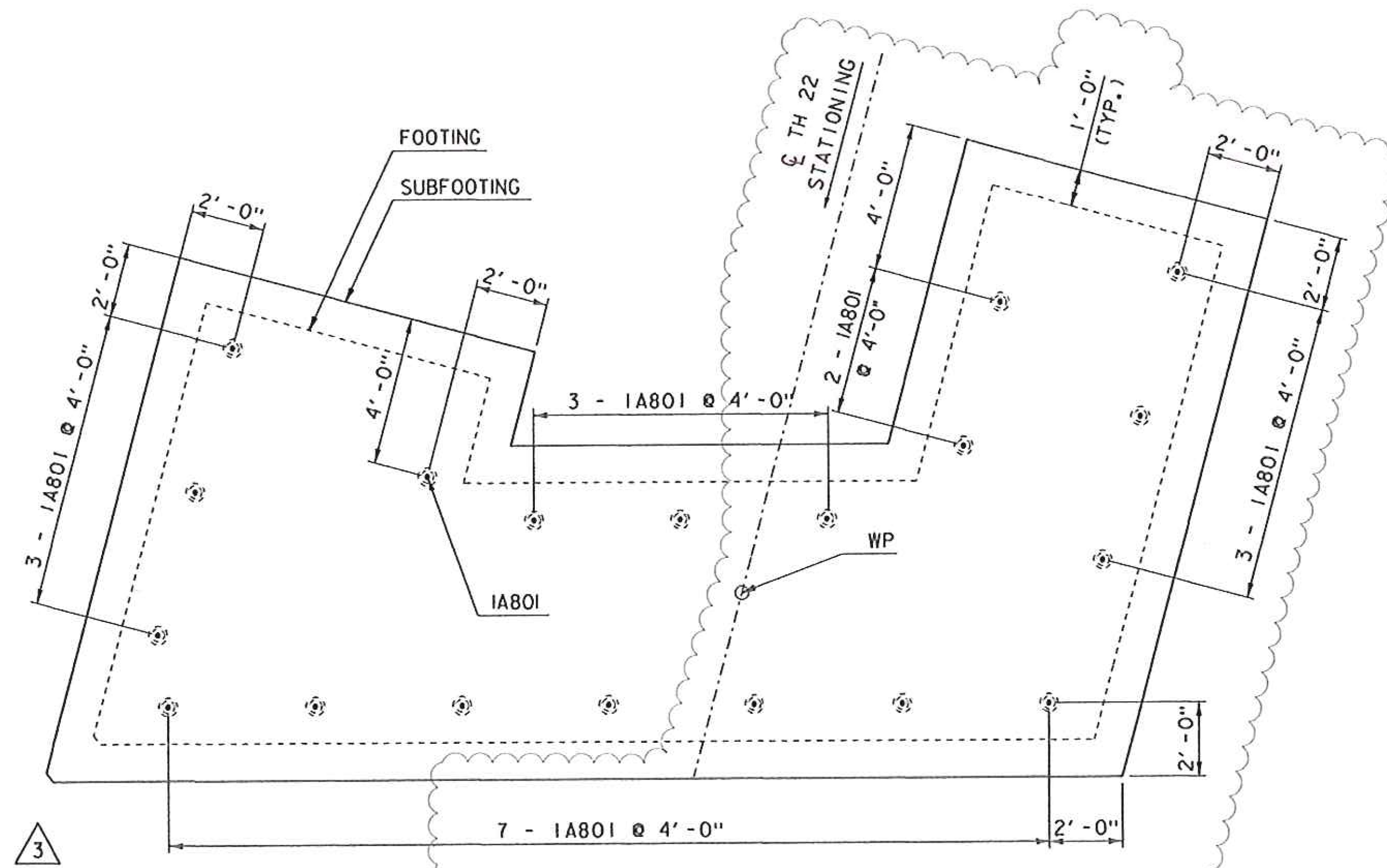


ABUTMENT I FOOTING REINFORCING PLAN

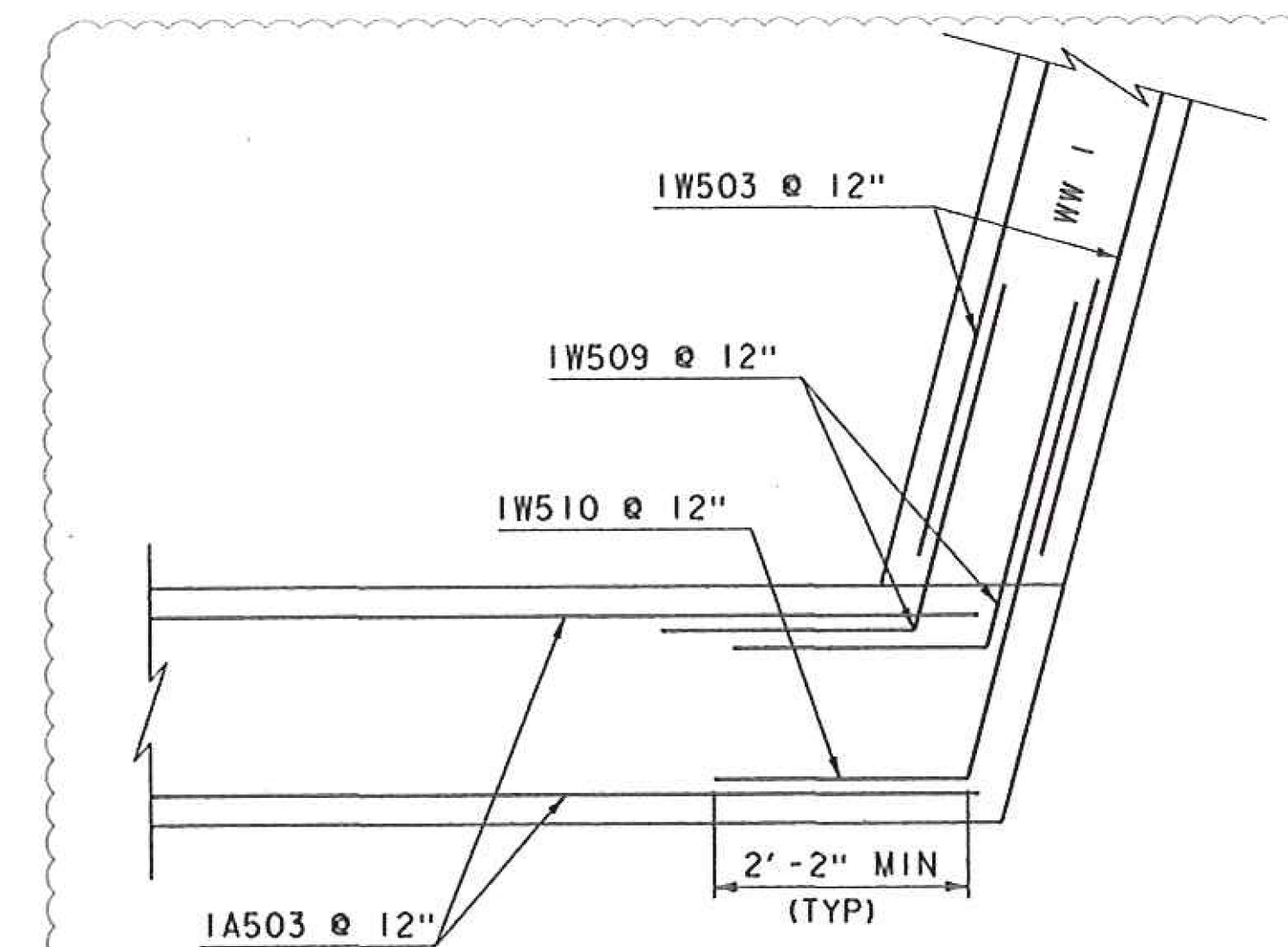
SCALE 3/8" = 1'-0"



ABUTMENT I SUBFOOTING REINFORCING PLAN

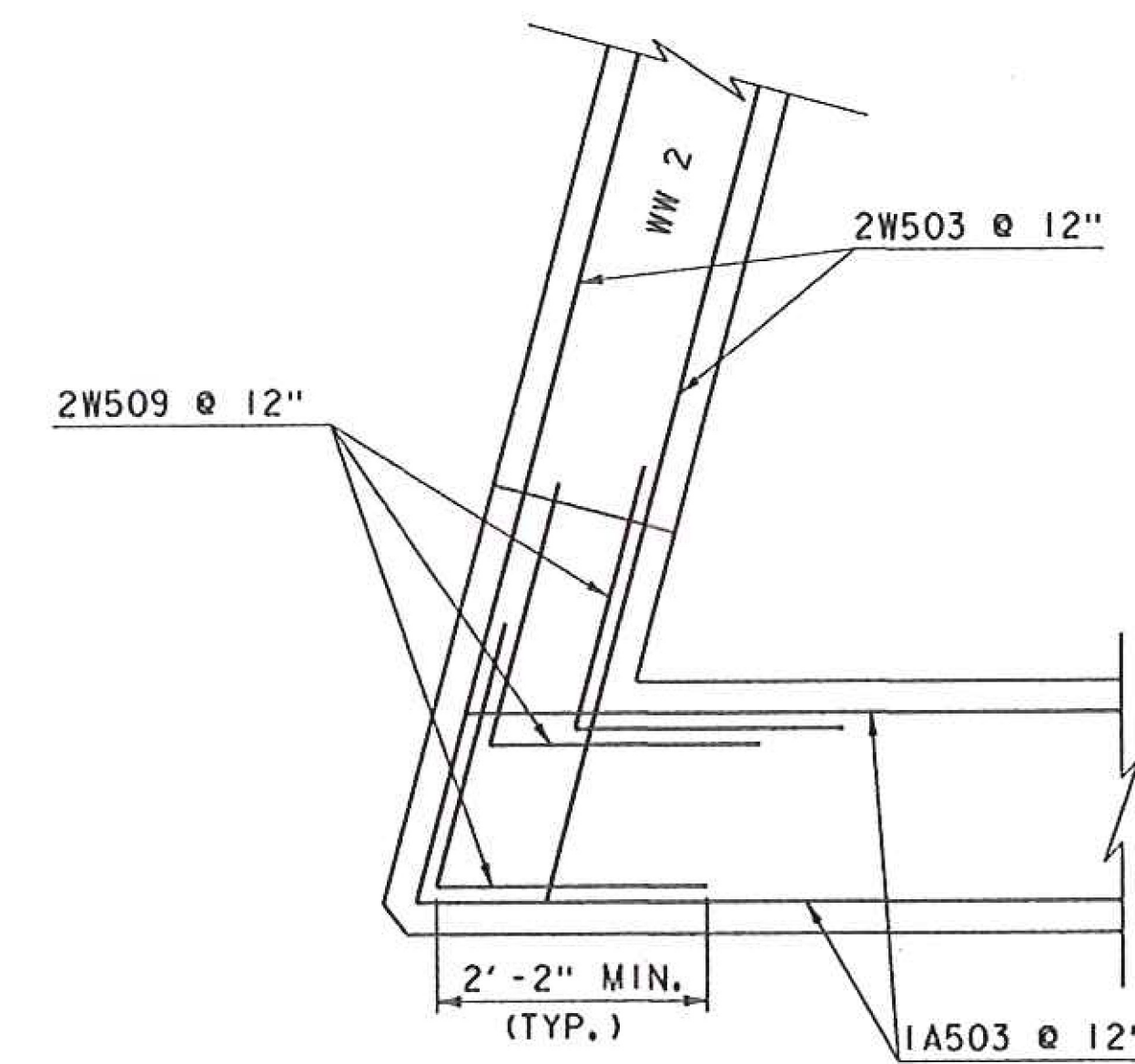
SCALE 3/8" = 1'-0"

REVISION	DATE	DESCRIPTION	BY
3	07-12-2016	ABUTMENT I & WINGWALL I DIMENSION CHANGES	MCL



WINGWALL I BELOW BRIDGE SEAT CORNER REINFORCING

SCALE 3/4" = 1'-0"



WINGWALL 2 CORNER REINFORCING

SCALE 3/4" = 1'-0"

PROJECT NAME: HUNTINGTON
PROJECT NUMBER: BRO 1445(35)

FILE NAME: s12j162sub.dgn
PROJECT LEADER: C. CARLSON
DESIGNED BY: D. PETERSON
ABUTMENT I FOOTING PLAN

PLOT DATE: 13-JUL-2016
DRAWN BY: R. PELLETT
CHECKED BY: D. PETERSON
SHEET 25A OF 44