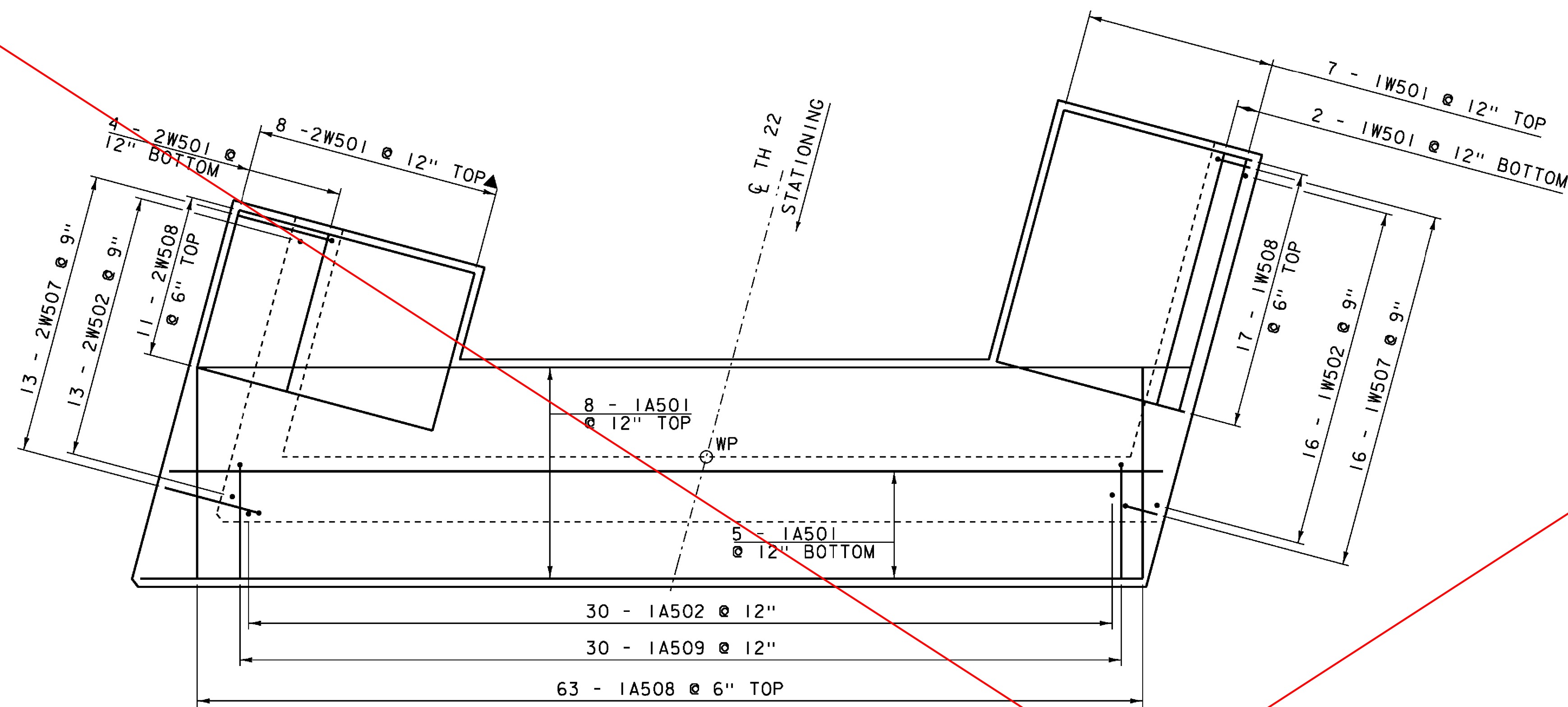
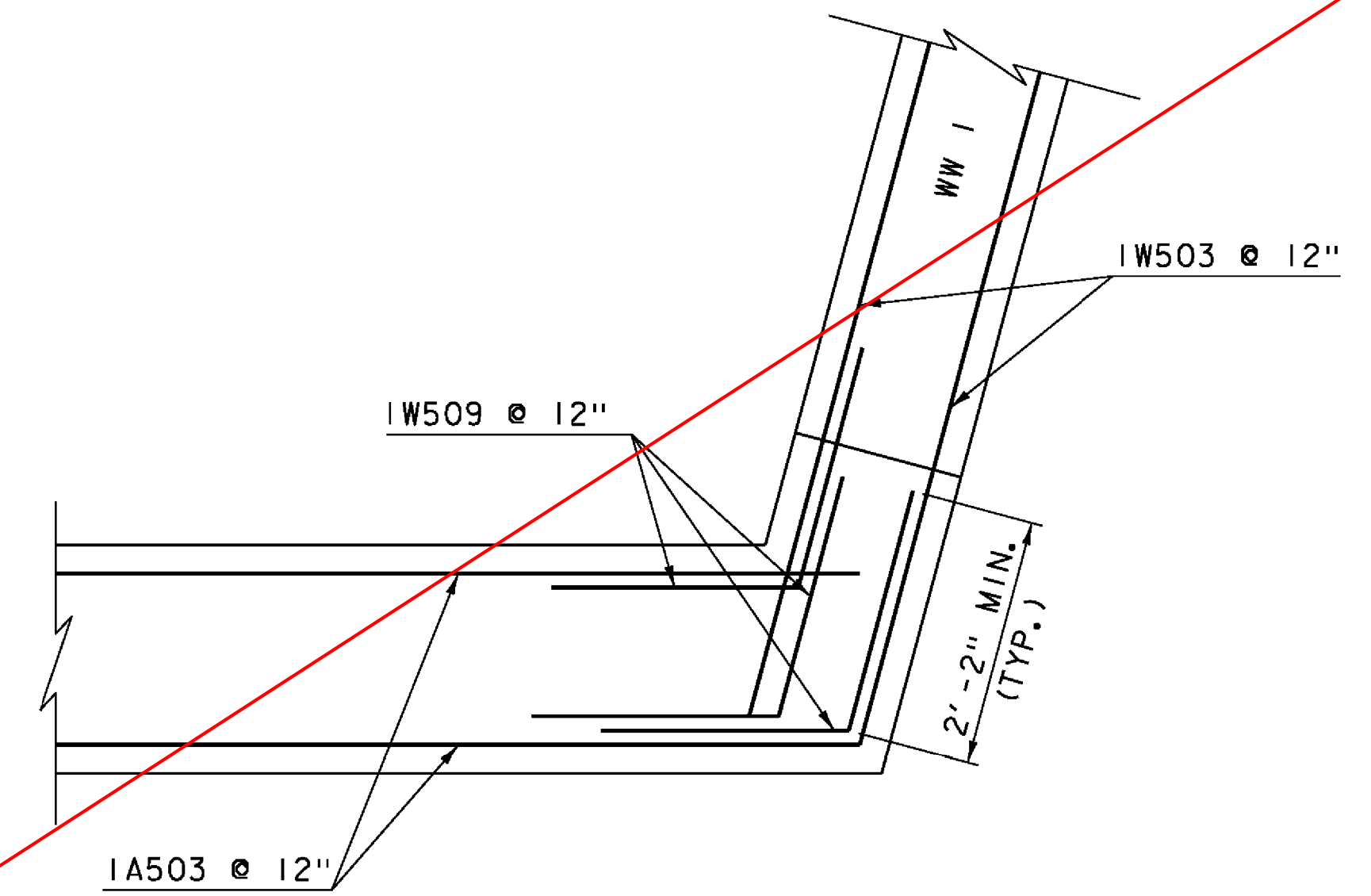


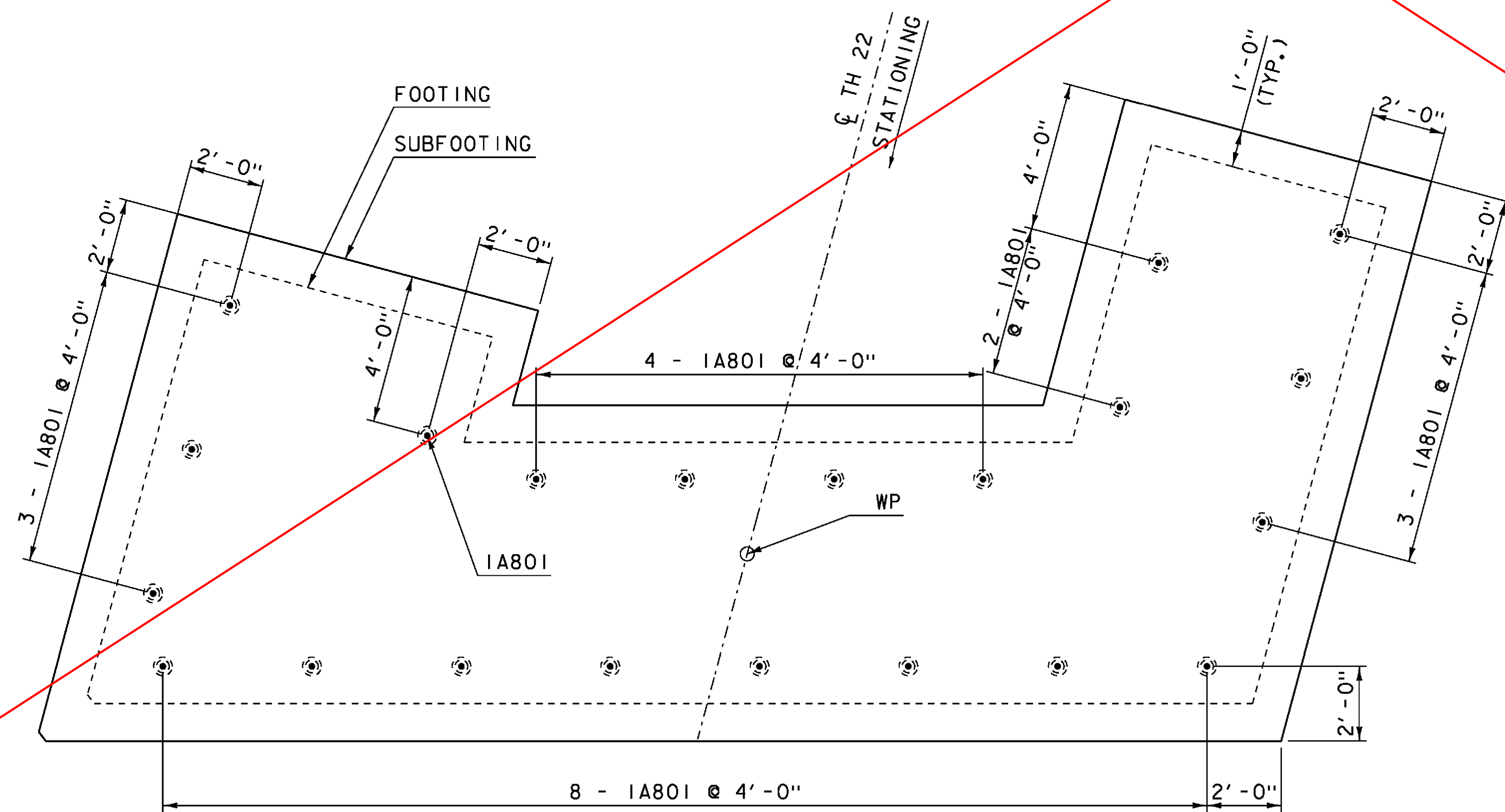
SEE REVISED SHEET 25A



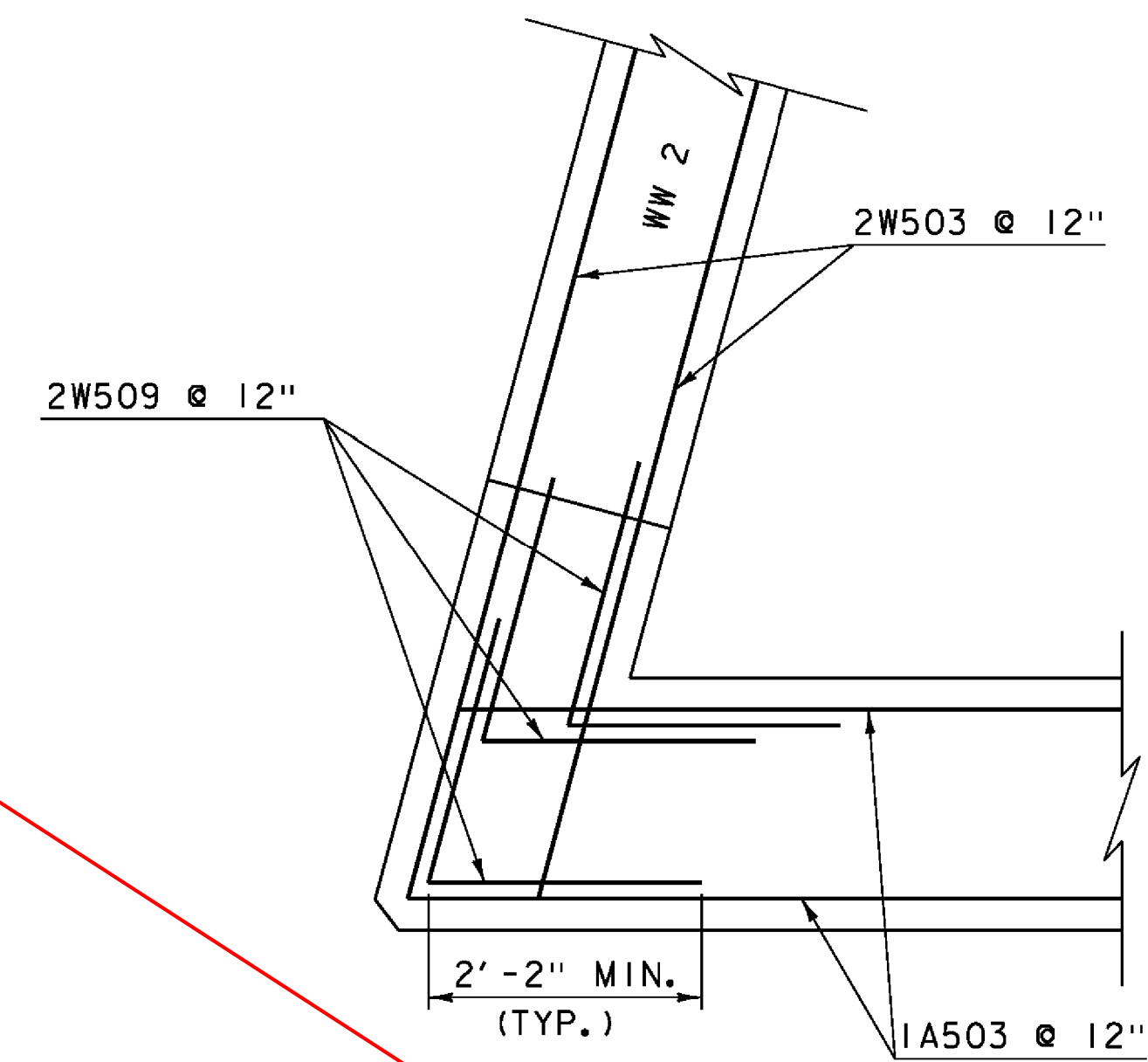
ABUTMENT 1 FOOTING REINFORCING PLAN
SCALE 3/8" = 1'-0"



WINGWALL 1 CORNER REINFORCING
SCALE 3/4" = 1'-0"



ABUTMENT 1 SUBFOOTING REINFORCING PLAN
SCALE 3/8" = 1'-0"



WINGWALL 2 CORNER REINFORCING
SCALE 3/4" = 1'-0"

| | | | |
|-------------------------|----------------|--------------|-------------|
| PROJECT NAME: | HUNTINGTON | PLOT DATE: | 15-OCT-2015 |
| PROJECT NUMBER: | BRO 1445(35) | DRAWN BY: | R. PELLETT |
| FILE NAME: | s12j162sub.dgn | DESIGNED BY: | D. PETERSON |
| PROJECT LEADER: | C. CARLSON | CHECKED BY: | D. PETERSON |
| ABUTMENT 1 FOOTING PLAN | | SHEET | 25 OF 44 |