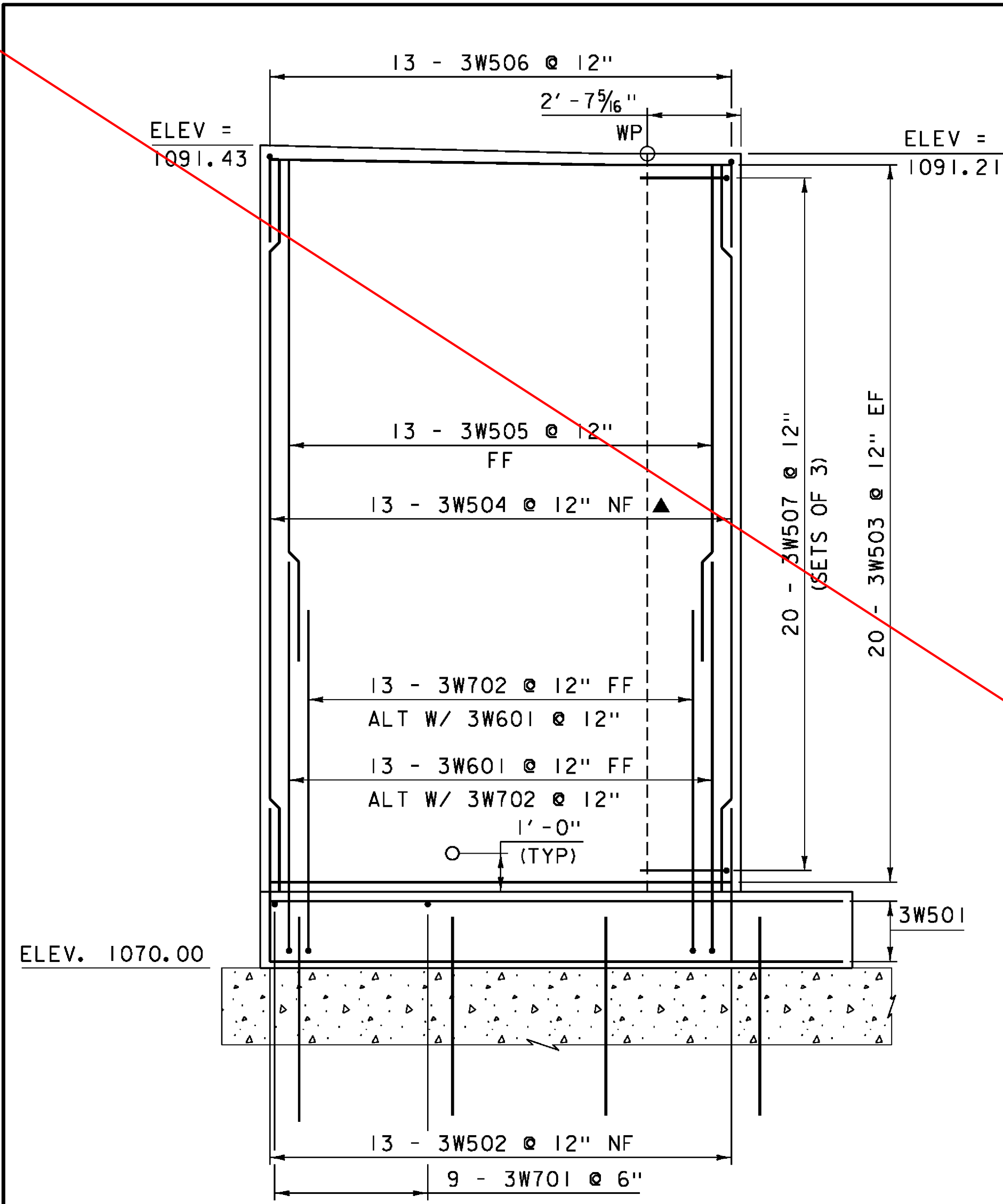
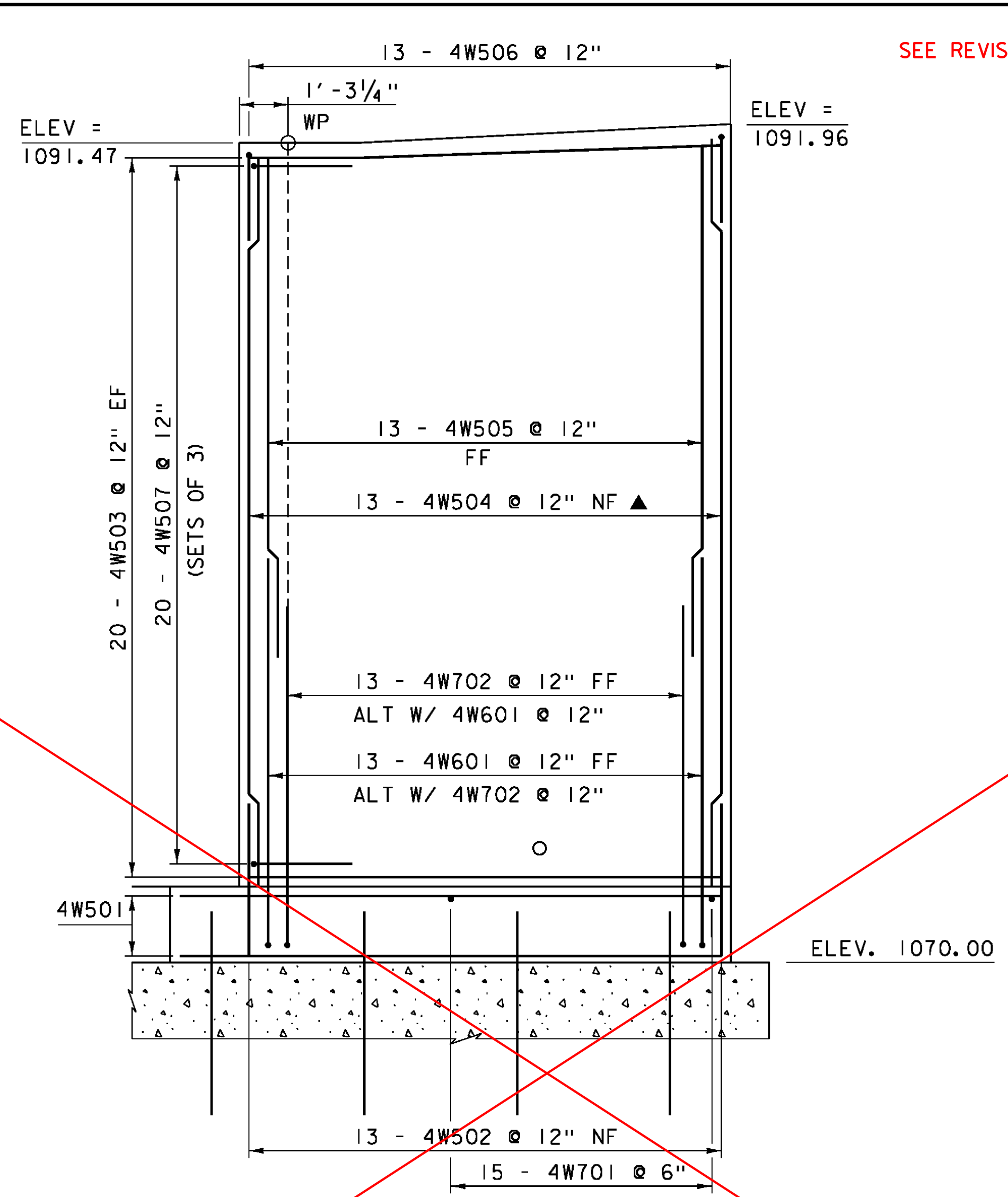


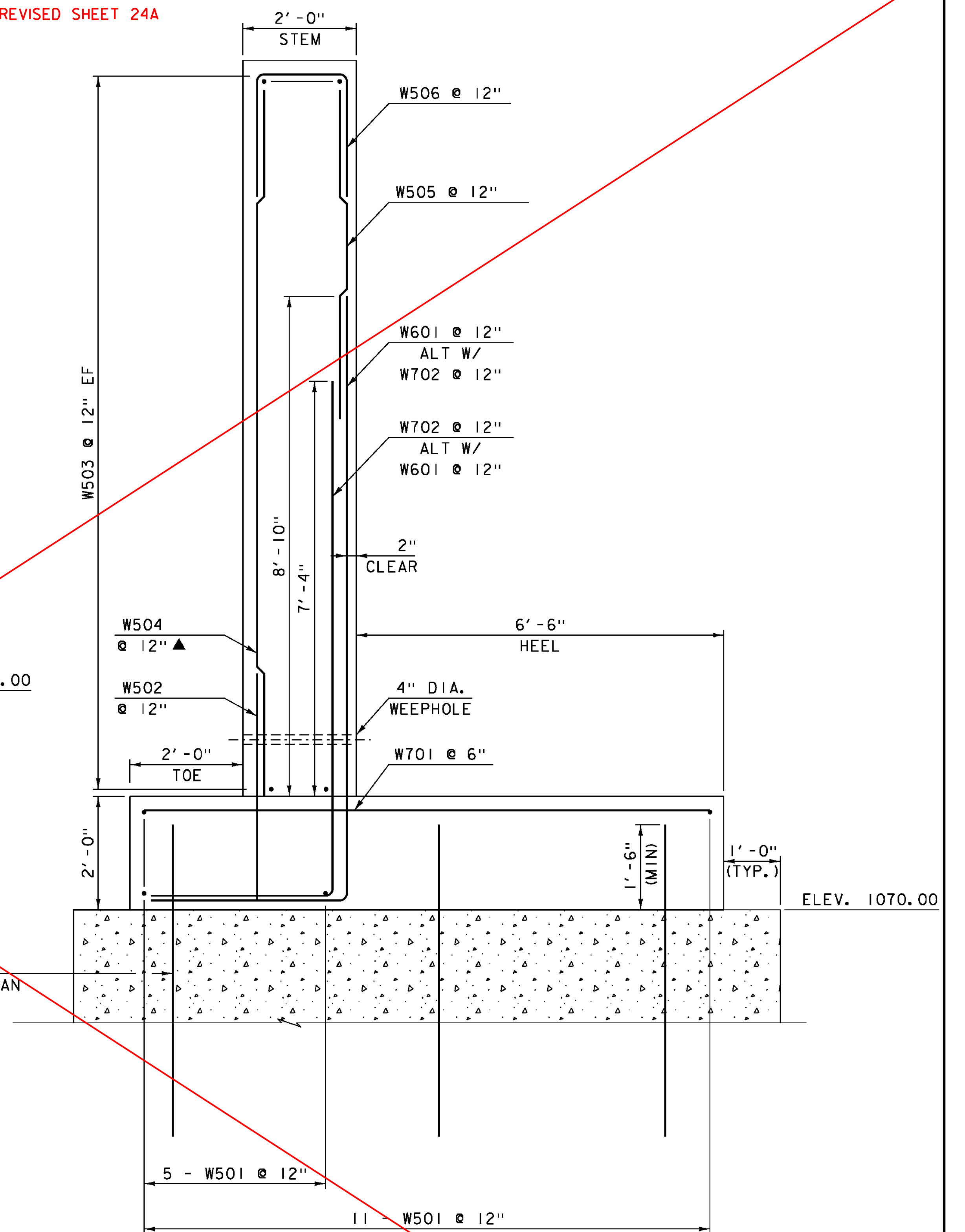
SEE REVISED SHEET 24A



**WINGWALL 3 ELEVATION**  
SCALE 3/8" = 1'-0"



**WINGWALL 4 ELEVATION**  
SCALE 3/8" = 1'-0"



**WINGWALL 3 & 4 TYPICAL SECTION**  
SCALE 3/4" = 1'-0"

2A801 DOWEL  
SEE SUBFOOTING PLAN  
FOR LAYOUT

**NOTE:**  
NF = NEAR FACE  
FF = FAR FACE  
EF = EACH FACE  
▲ = CUT TO FIT IN FIELD  
3" CLEAR, UNLESS OTHERWISE  
SPECIFIED ON THE PLANS.  
2'-2" BAR LAP UNLESS OTHERWISE  
SPECIFIED ON THE PLANS.

|                              |                         |
|------------------------------|-------------------------|
| PROJECT NAME: HUNTINGTON     |                         |
| PROJECT NUMBER: BRO 1445(35) |                         |
| FILE NAME: sl2j162sub.dgn    | PLOT DATE: 15-OCT-2015  |
| PROJECT LEADER: C. CARLSON   | DRAWN BY: R. PELLET     |
| DESIGNED BY: D. PETERSON     | CHECKED BY: D. PETERSON |
| WINGWALL 3 & 4 ELEVATIONS    | SHEET 24 OF 44          |