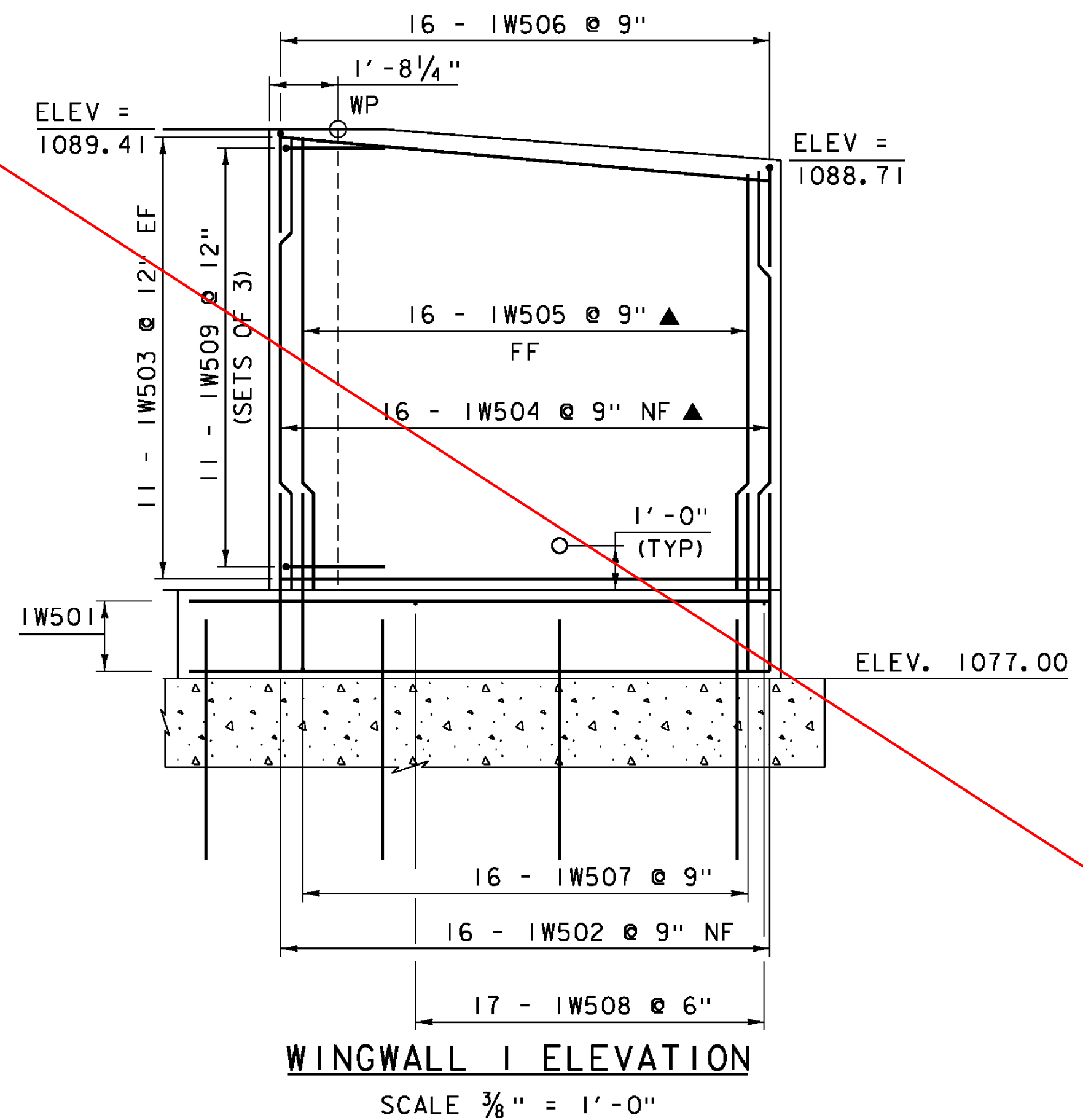
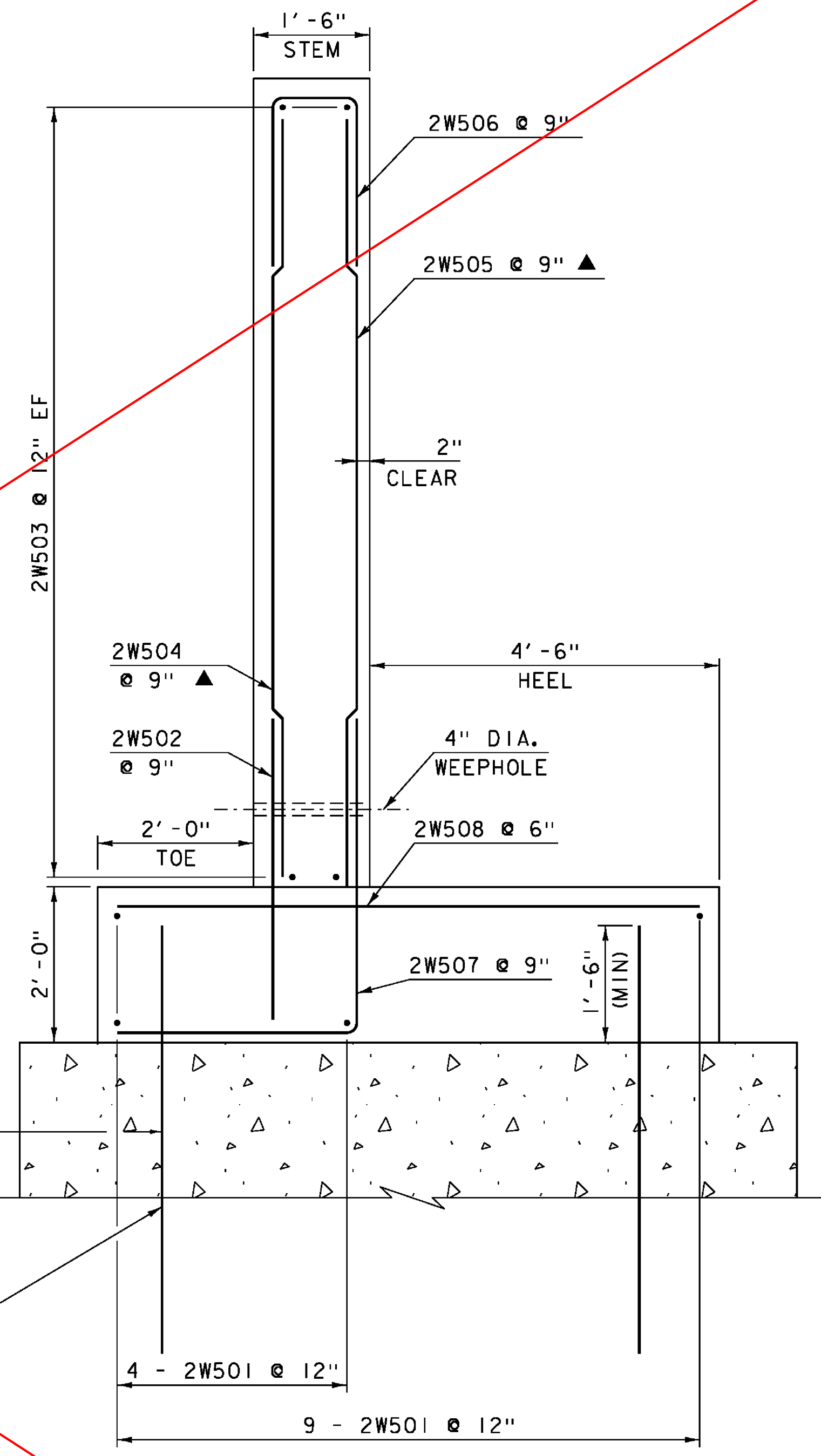
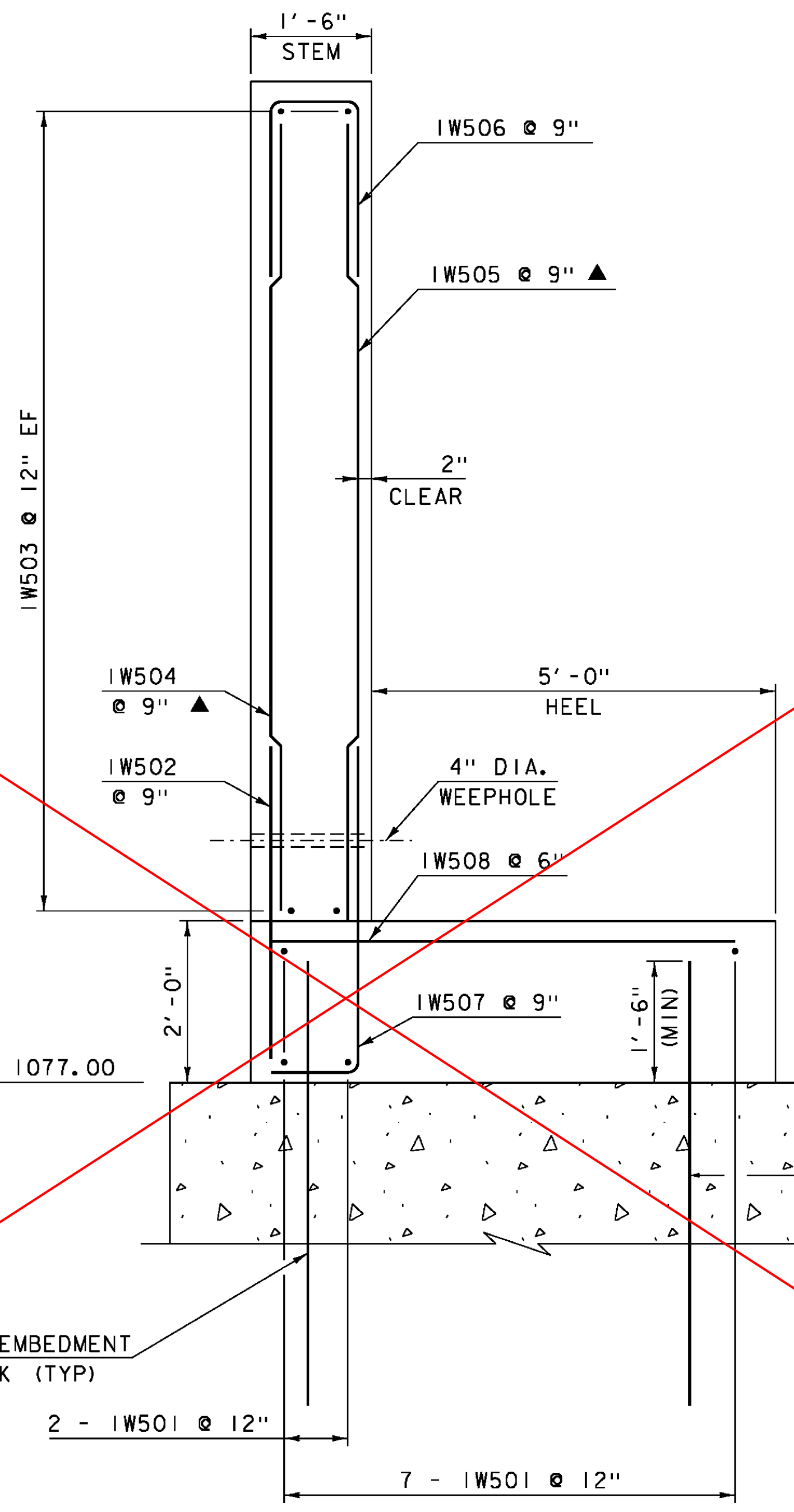


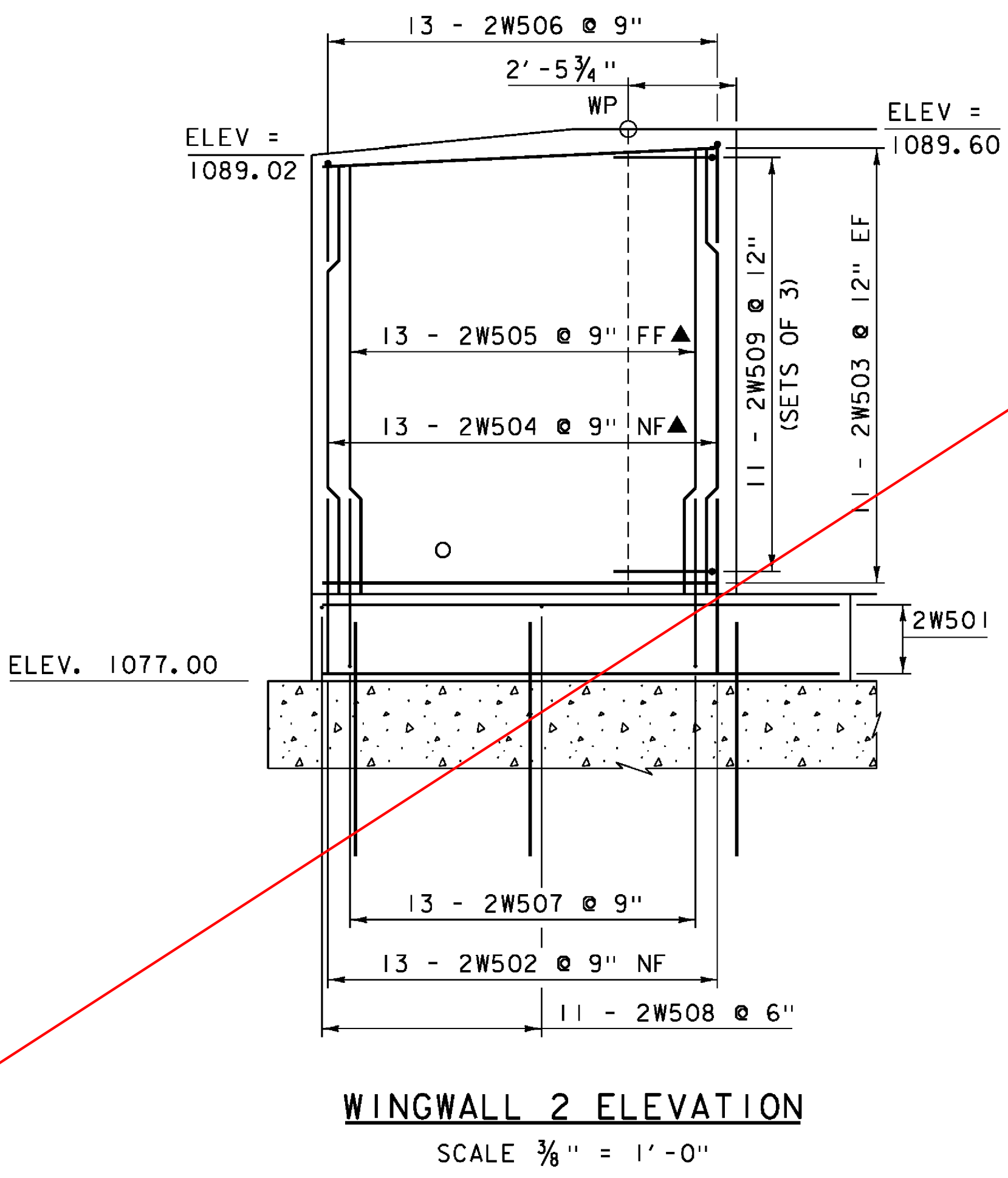
SEE REVISED SHEET 23A



**WINGWALL 1 ELEVATION**  
SCALE 3/8" = 1'-0"



**WINGWALL 2 TYPICAL SECTION**  
SCALE 3/4" = 1'-0"



**WINGWALL 2 ELEVATION**  
SCALE 3/8" = 1'-0"

**NOTE:**  
 NF = NEAR FACE  
 FF = FAR FACE  
 EF = EACH FACE  
 ▲ = CUT TO FIT IN FIELD  
 3" CLEAR, UNLESS OTHERWISE SPECIFIED ON THE PLANS.  
 2'-2" BAR LAP UNLESS OTHERWISE SPECIFIED ON THE PLANS.

PROJECT NAME: HUNTINGTON	
PROJECT NUMBER: BRO 1445(35)	
FILE NAME: sl2j162sub.dgn	PLOT DATE: 15-OCT-2015
PROJECT LEADER: C. CARLSON	DRAWN BY: R. PELLETT
DESIGNED BY: D. PETERSON	CHECKED BY: D. PETERSON
WINGWALL 1 & 2 ELEVATIONS	SHEET 23 OF 44