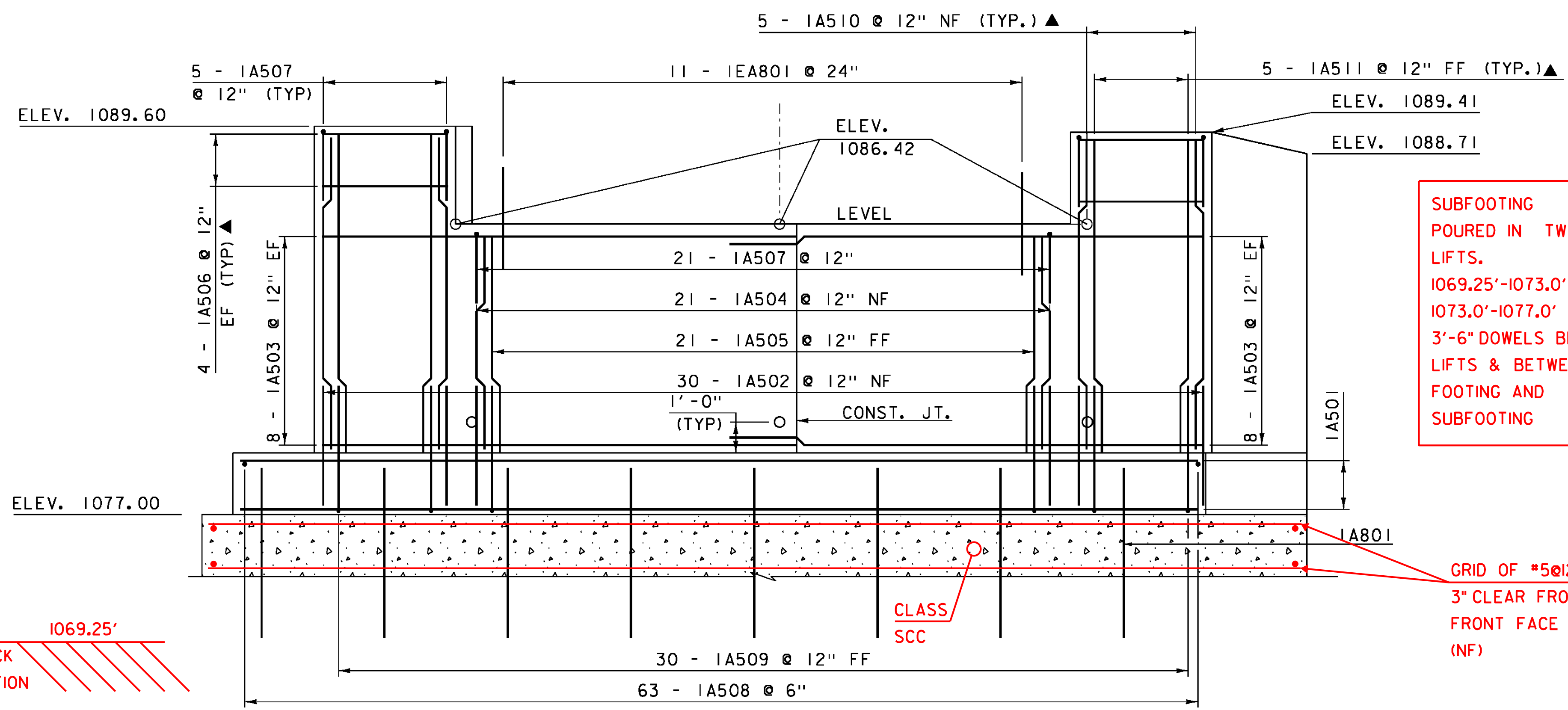


ABUTMENT I PLAN
SCALE 3/8" = 1'-0"



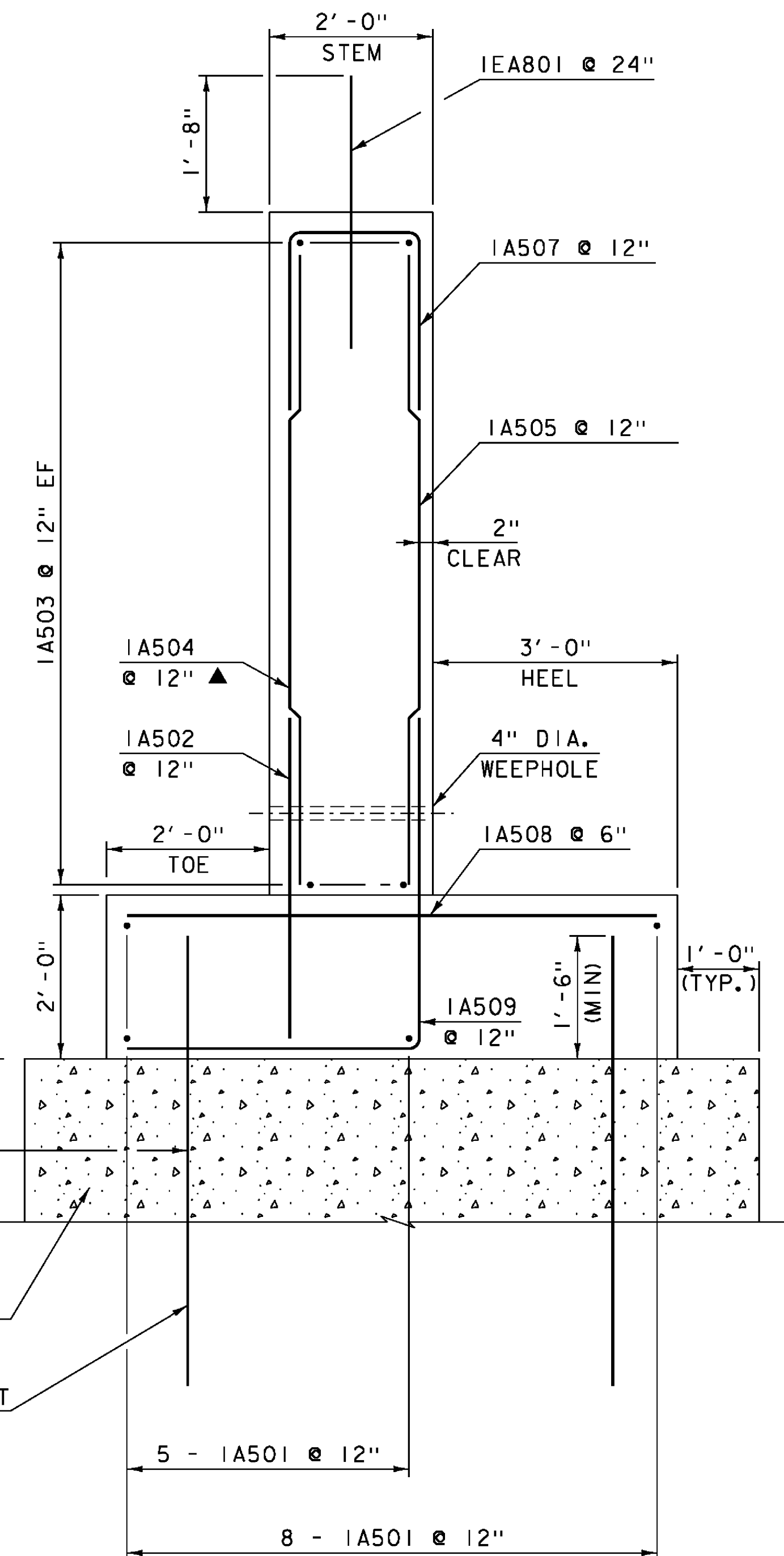
ABUTMENT I ELEVATION
SCALE 3/8" = 1'-0"

SUBFOOTING
POURED IN TWO
LIFTS.
1069.25'-1073.0'
1073.0'-1077.0'
3'-6" DOWELS BETWEEN
LIFTS & BETWEEN
FOOTING AND
SUBFOOTING

1A801 DOWEL
SEE SUBFOOTING PLAN
FOR LAYOUT

CLASS SCC
CONCRETE, CLASS C
SUBFOOTING

2'-0" MIN. EMBEDMENT
INTO BEDROCK (TYP)



ABUTMENT I TYPICAL SECTION
SCALE 3/4" = 1'-0"

AVG. BEDROCK ELEVATION 1069.25'

GRID OF #5@12"
3" CLEAR FROM
FRONT FACE
(NF)

NOTE:
NF = NEAR FACE
FF = FAR FACE
EF = EACH FACE
▲ = CUT TO FIT IN FIELD
3" CLEAR, UNLESS OTHERWISE
SPECIFIED ON THE PLANS.
2'-2" BAR LAP UNLESS OTHERWISE
SPECIFIED ON THE PLANS.

PROJECT NAME:	HUNTINGTON	PLOT DATE:	15-OCT-2015
PROJECT NUMBER:	BRO 1445(35)	DRAWN BY:	R. PELLETT
FILE NAME:	sl2j162sub.dgn	DESIGNED BY:	D. PETERSON
PROJECT LEADER:	C. CARLSON	CHECKED BY:	D. PETERSON
ABUTMENT I PLAN & ELEVATION		SHEET 21 OF 44	