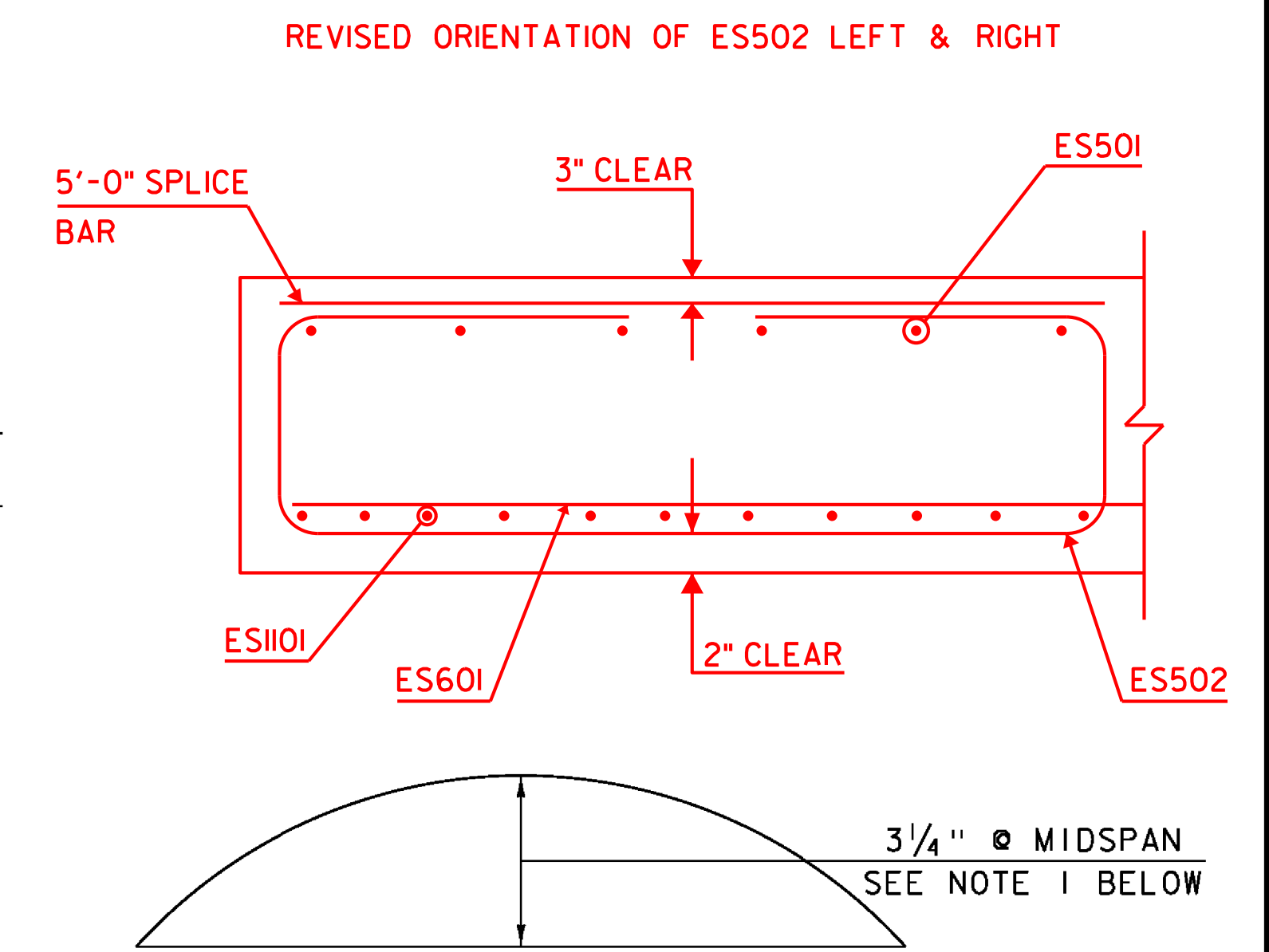


BRIDGE DECK TYPICAL SECTION

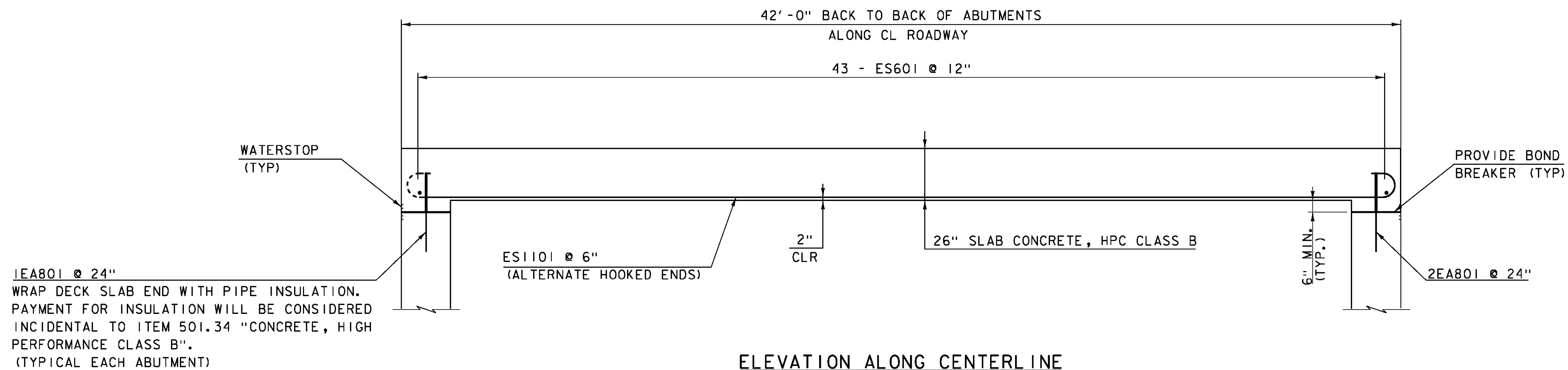
SCALE: 3/4" = 1'-0"



CAMBER DIAGRAM

NOT TO SCALE

NOTE 1:
THE SLAB SHALL BE CAMBERED A TOTAL OF 3 1/4" AT MIDSPAN. THIS INITIAL CAMBER SHALL APPROXIMATE A CIRCULAR CURVE.



ELEVATION ALONG CENTERLINE

SCALE: 3/8" = 1'-0"

NOTE:

NF = NEAR FACE
FF = FAR FACE
EF = EACH FACE
▲ = CUT TO FIT IN FIELD
3" CLEAR, UNLESS OTHERWISE SPECIFIED ON THE PLANS.
2'-2" BAR LAP UNLESS OTHERWISE SPECIFIED ON THE PLANS.

PROJECT NAME: HUNTINGTON
PROJECT NUMBER: BRO 1445(35)

FILE NAME: s12j162sup.dgn
PROJECT LEADER: C. CARLSON
DESIGNED BY: D. PETERSON
DECK TYPICAL

PLOT DATE: 15-OCT-2015
DRAWN BY: R. PELLETT
CHECKED BY: D. PETERSON
SHEET 19 OF 44