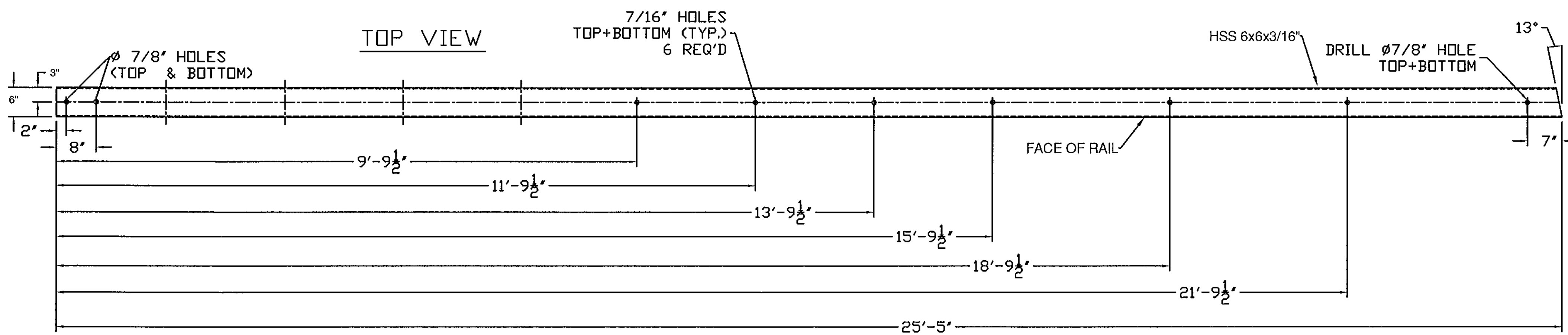
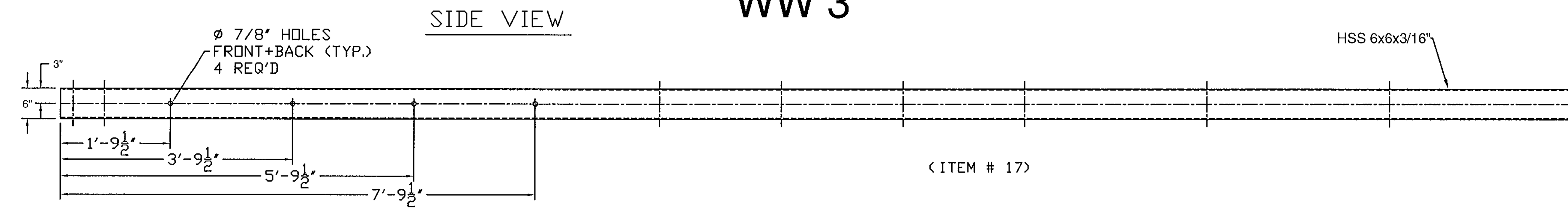
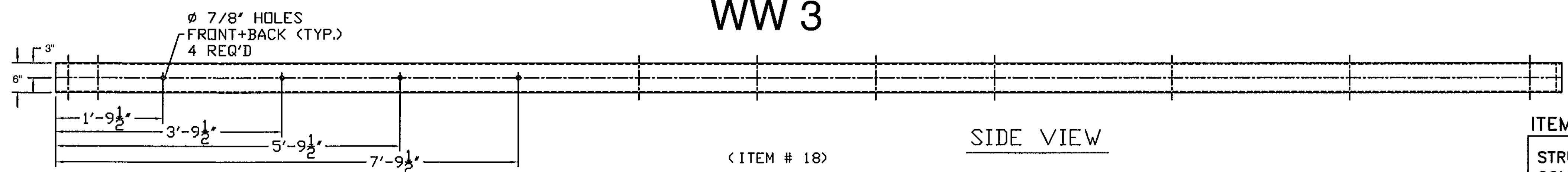


WW 3



WW 3



900.620 SPECIAL PROVISION (GUARDRAIL)  
 ITEM #: APPROACH SECTION TO CONCRETE BRIDGE RAIL

SHEET 10 OF 12

STRUCTURAL STEEL TO COMPLY W/ ASTM A6

SPECIAL PROVISION, GRAS - CONCRETE COMBINATION BR.

ROUTE NO. T.H. 3 (CLASS 2), RURAL COLLECTOR, BRIDGE # 11  
 TOWN OF CLARENDON, RUTAND COUNTY, VT.

TOLERANCE UNLESS OTHERWISE NOTED:  
 FRACTIONS = ± 1/16"  
 ANGLES = ± 1/2"  
 DIAMETERS = ± 1/32"

R NO.	DATE	DESCRIPTION	BY	R NO.	DATE	DESCRIPTION	BY
E 1	3/10/16	REVISED PER 2/23/16 MARK-UP	E.P. E				
V 2	4/8/16	REVISED PER 3/22/16 MARK-UP	E.P. V				

DRAWN	E.P.	01/29/16
CHECKED	D.L.	
APPROVED	M.V.	
SCALE	SCHEMATIC	
DRAWING NO. FRL - CLARENDON - T		

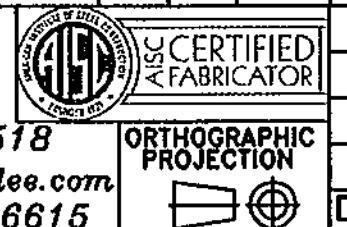
Vermont Agency of Transportation  
**RECEIVED**

CK'D BY SC, RF OK'D BY G. Laroche

April 8, 2016

RESUBMIT No Approved  
 BY K. Higgins DATE 04/11/2016

**ELDERLEE, INC.**  
 OAKS CORNERS, NEW YORK 14518  
 email: dlong@elderlee.com / epeek@elderlee.com  
 Tel: 315-789-6670 Fax: 315-789-6615



ORTHOGRAHIC PROJECTION