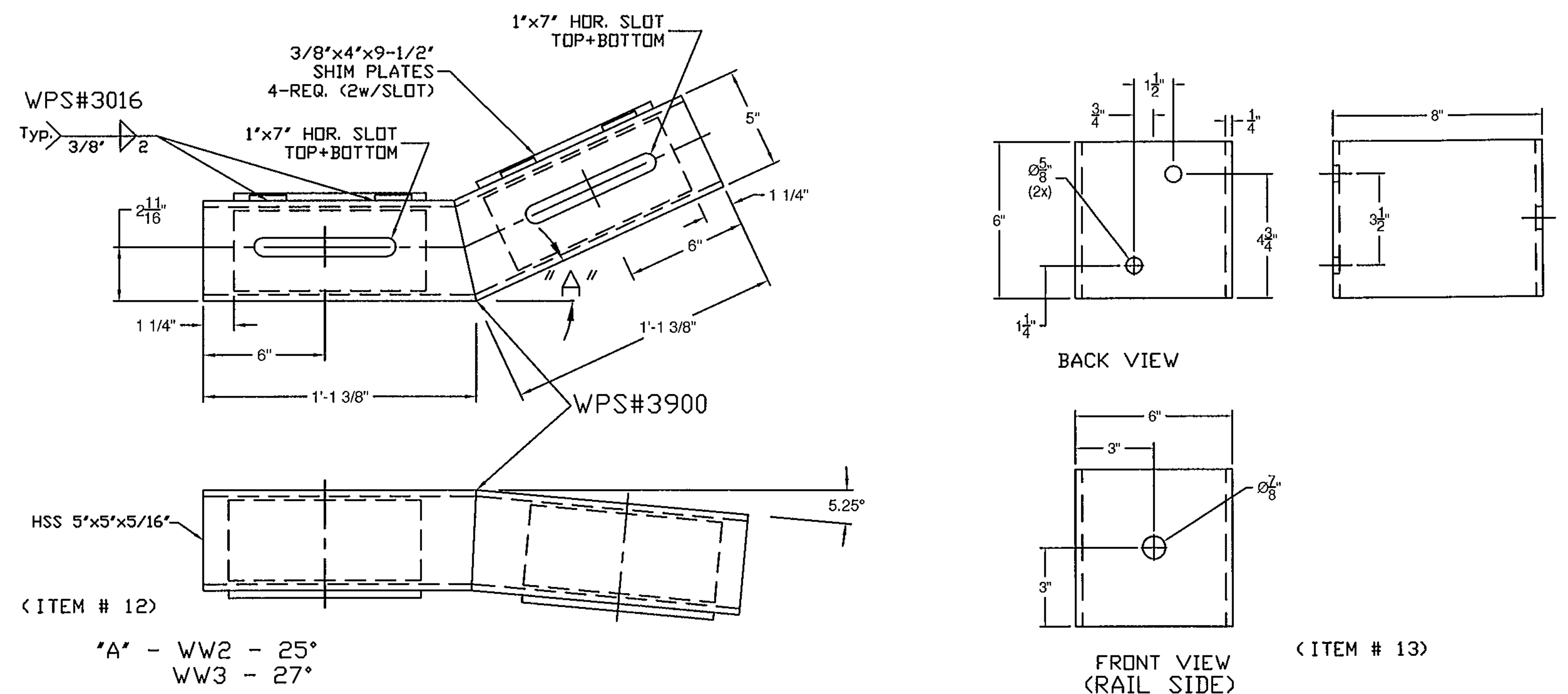
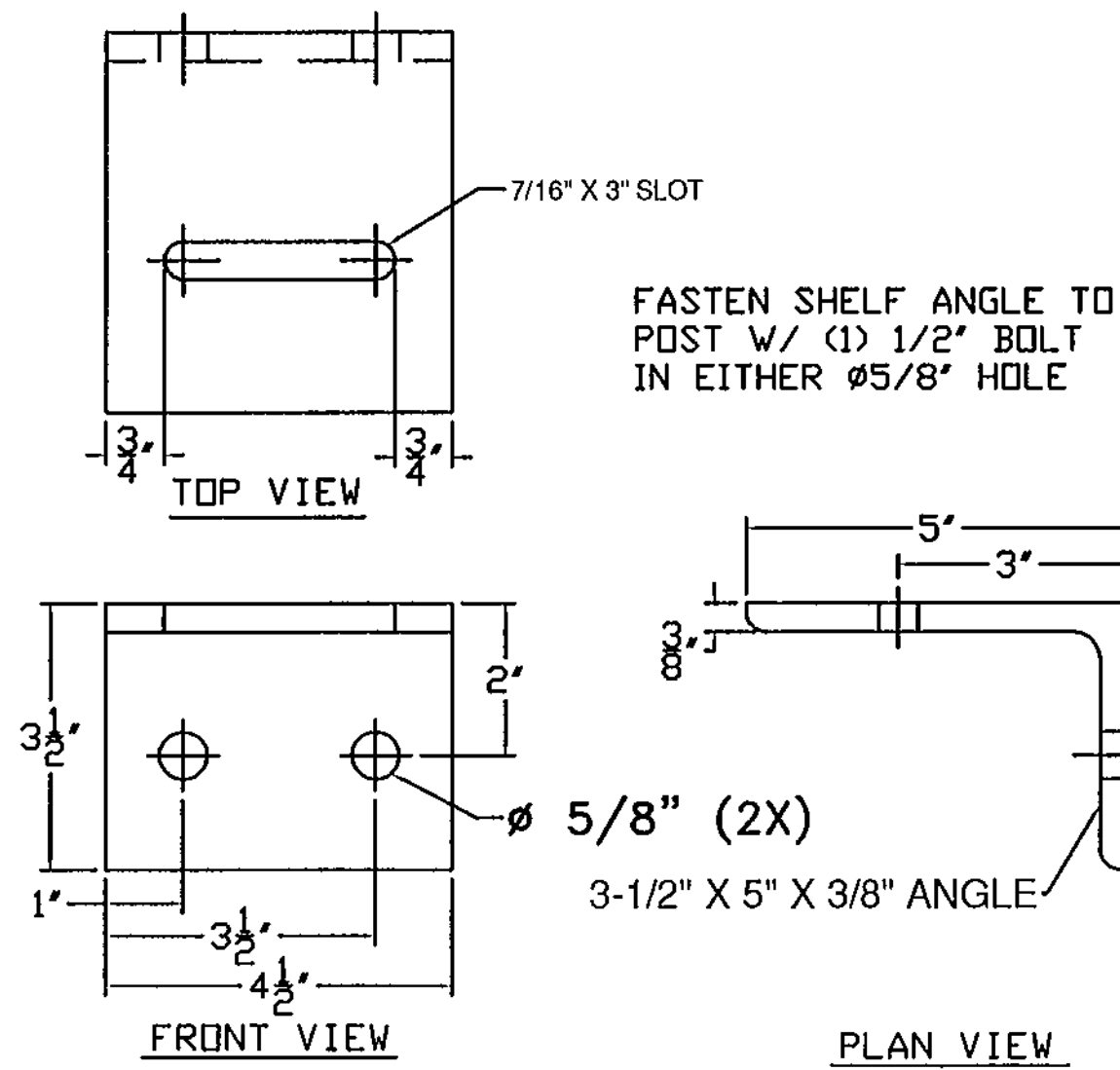
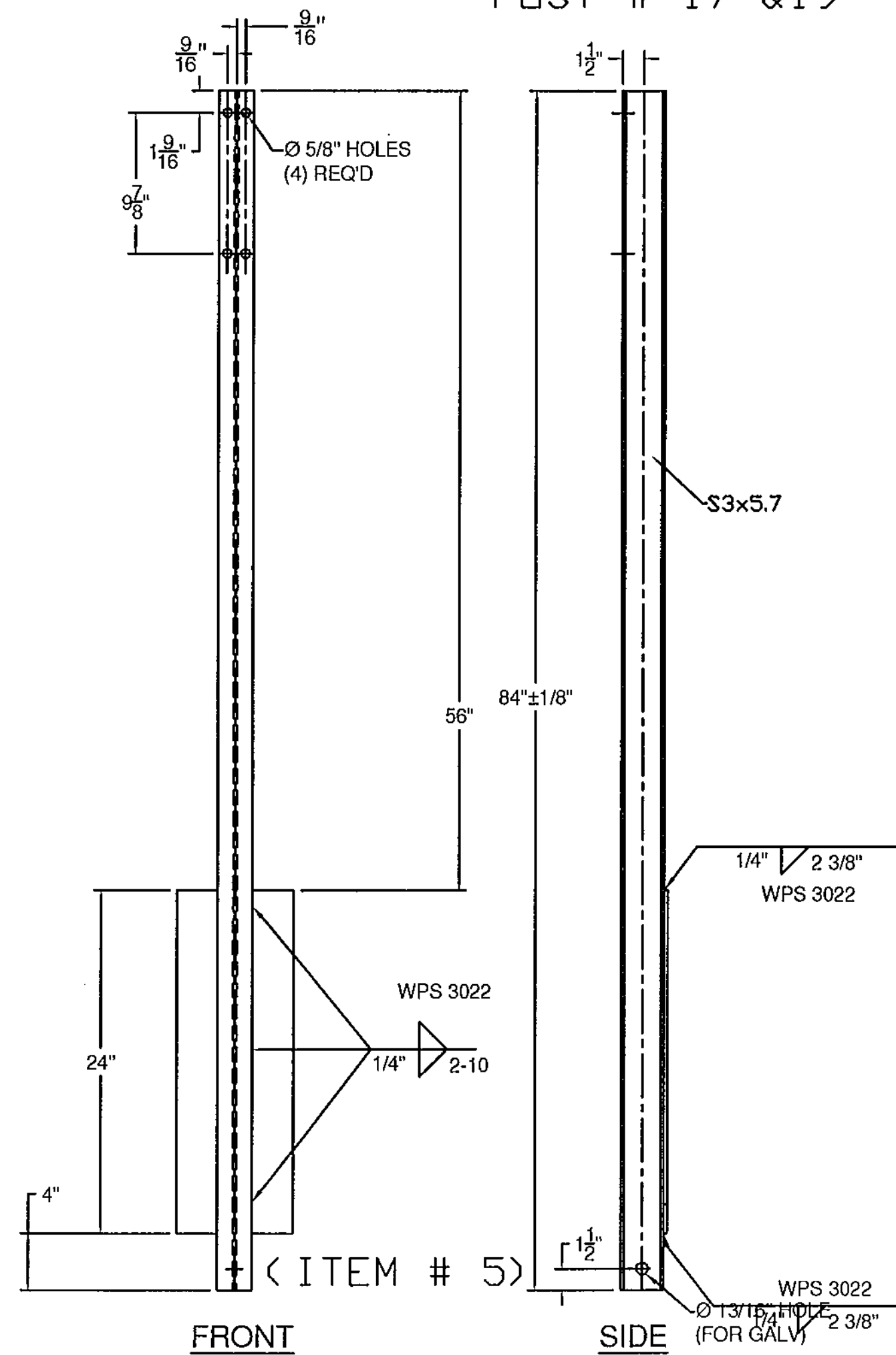


TOP RAIL SPLICE TUBE		
ITEM#	QTY.	DESCRIPTION
1	2	5" X 5" X 5/16" TUBE @ 27" ASTM A500 Gr. B
2	6	1/4" X 4" X 12 1/2" ASTM A36(A709 Gr36)CVN
3	4	3/16" X 1" X 4" BACKER PLATE

(ITEM # 7)



900.620 SPECIAL PROVISION (GUARDRAIL)  
ITEM #: APPROACH SECTION TO CONCRETE BRIDGE RAIL SHEET 7 OF 12

STRUCTURAL STEEL TO COMPLY W/ ASTM A6  
TOLERANCE UNLESS OTHERWISE NOTED:  
FRACTIONS = ± 1/16"  
ANGLES = ± 1/2"  
DIAMETERS = ± 1/32"

**SPECIAL PROVISION, GRAS - CONCRETE COMBINATION BR.**  
ROUTE NO. T.H. 3 (CLASS 2), RURAL COLLECTOR, BRIDGE # 11  
TOWN OF CLARENDON, RUTAND COUNTY, VT.

R NO.	DATE	DESCRIPTION	BY	R NO.	DATE	DESCRIPTION	BY
E 1	3/10/16	REVISED PER 2/23/16 MARK-UP	E.P.	E			
V 2	4/8/16	REVISED PER 3/22/16 MARK-UP	E.P.	V			

DRAWN E.P. 01/29/16  
CHECKED D.L.  
APPROVED M.V.  
SCALE SCHEMATIC  
DRAWING NO. FRL - CLARENDON - T

**ELDERLEE, INC.**  
OAKS CORNERS, NEW YORK 14518  
email: dlong@elderlee.com / epeek@elderlee.com  
Tel: 315-789-6670 Fax: 315-789-6615

Vermont Agency of Transportation  
**RECEIVED**  
CK'D BY SC, RF OK'D BY G. Laroche  
April 8, 2016  
RESUBMIT No Approved  
BY K. Higgins DATE 04/11/2016