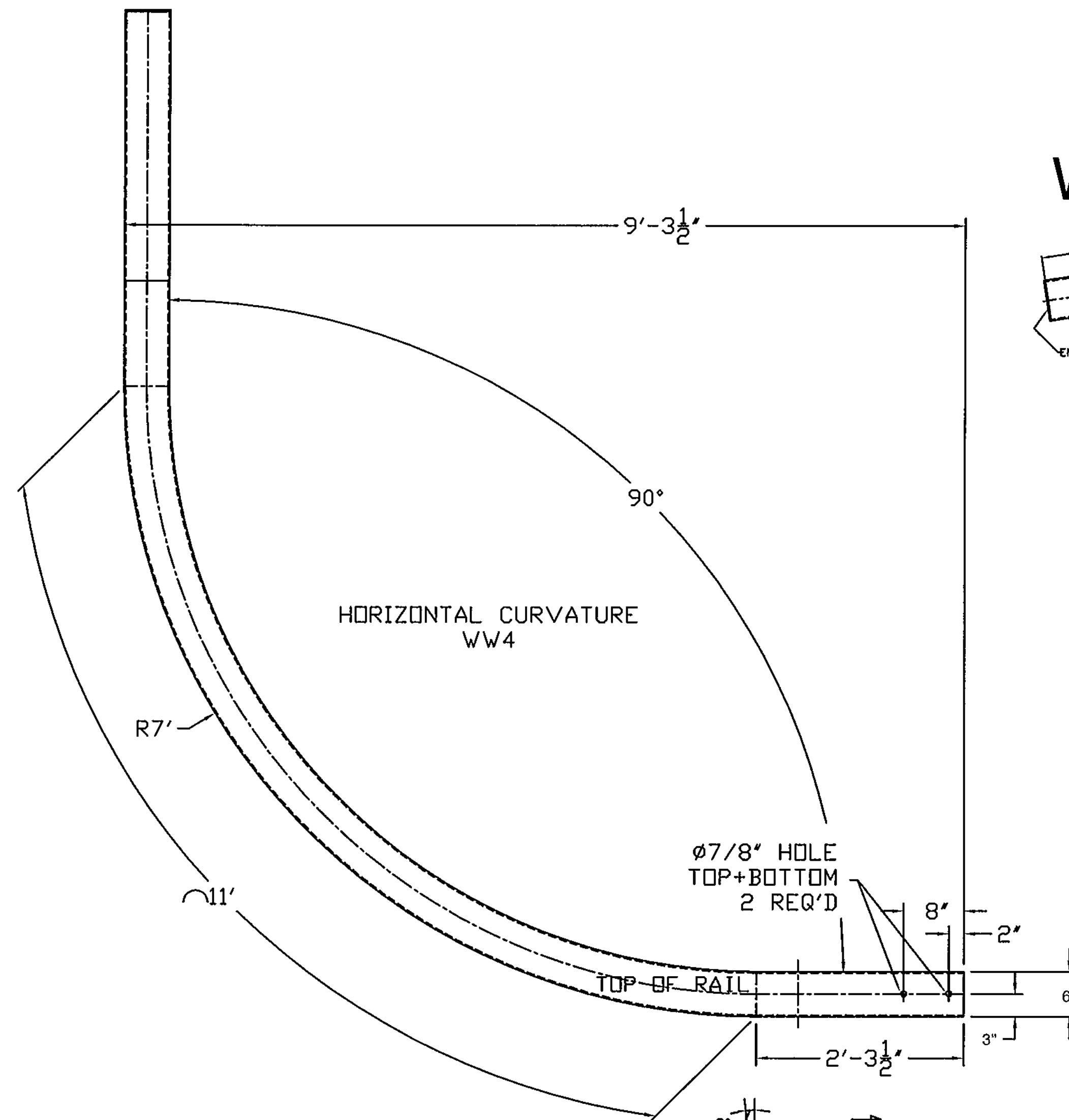
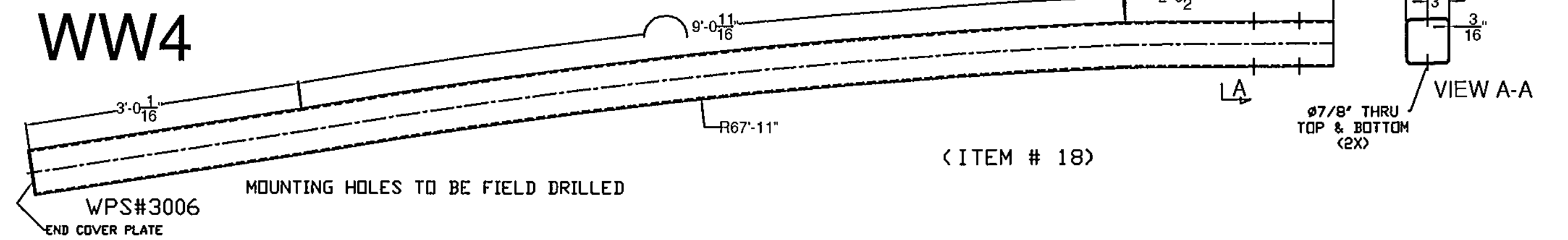
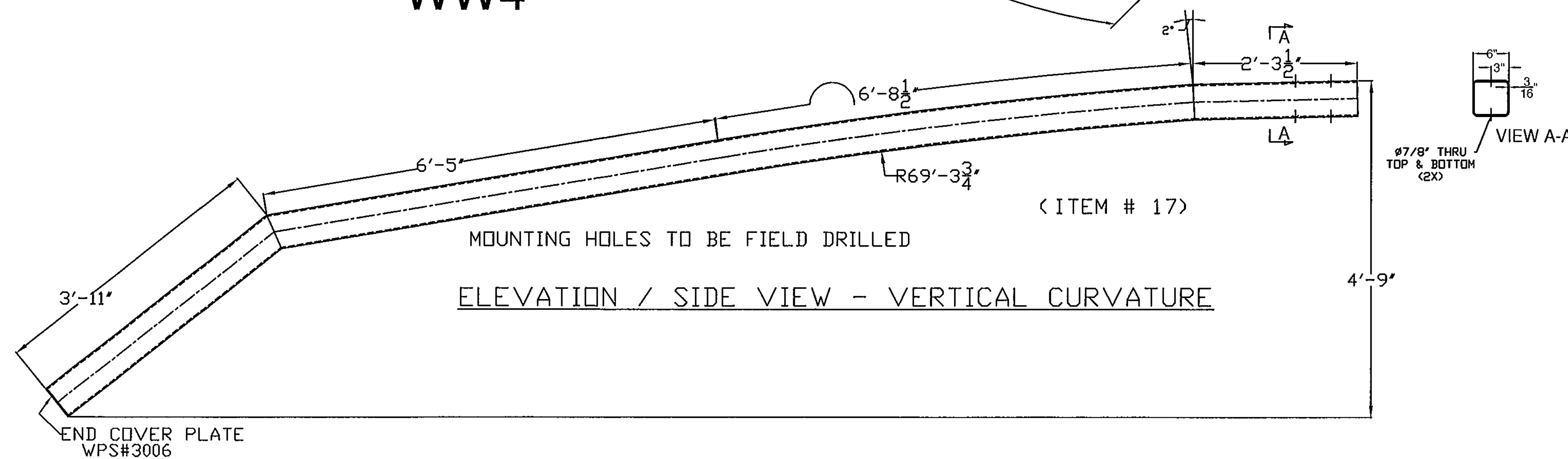


ELEVATION / SIDE VIEW - VERTICAL CURVATURE



WW4



Vermont Agency of Transportation
RECEIVED

CK'D BY SC, RF OK'D BY G. Laroche

April 8, 2016

RESUBMIT No Approved
BY K. Higgins DATE 04/11/2016

900.620 SPECIAL PROVISION (GUARDRAIL)
ITEM #: APPROACH SECTION TO CONCRETE BRIDGE RAIL) SHEET 3 OF 12

STRUCTURAL STEEL TO COMPLY W/ ASTM A6

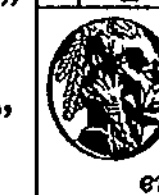
TOLERANCE UNLESS OTHERWISE NOTED:
FRACTIONS = ± 1/16"
ANGLES = ± 1/2"
DIAMETERS = ± 1/32"

SPECIAL PROVISION, GRAS - CONCRETE COMBINATION BR.

ROUTE NO. T.H. 3 (CLASS 2), RURAL COLLECTOR, BRIDGE # 11
TOWN OF CLARENDON, RUTAND COUNTY, VT.

| R NO. | DATE | DESCRIPTION | BY | R NO. | DATE | DESCRIPTION | BY |
|-------|---------|-----------------------------|------|-------|------|-------------|----|
| E 1 | 3/10/16 | REVISED PER 2/23/16 MARK-UP | E.P. | | | | |
| V 2 | 4/8/16 | REVISED PER 3/22/16 MARK-UP | E.P. | | | | |

| | | |
|---------------------------------|-----------|----------|
| DRAWN | E.P. | 01/29/16 |
| CHECKED | D.L. | |
| APPROVED | M.V. | |
| SCALE | SCHEMATIC | |
| DRAWING NO. FRL - CLARENDON - T | | |



ELDERLEE, INC.
OAKS CORNERS, NEW YORK 14518
email: dlong@elderlee.com / epeek@elderlee.com
Tel: 315-789-6670 Fax: 315-789-6615



CERTIFIED FABRICATOR
ORTHOGONAL PROJECTION