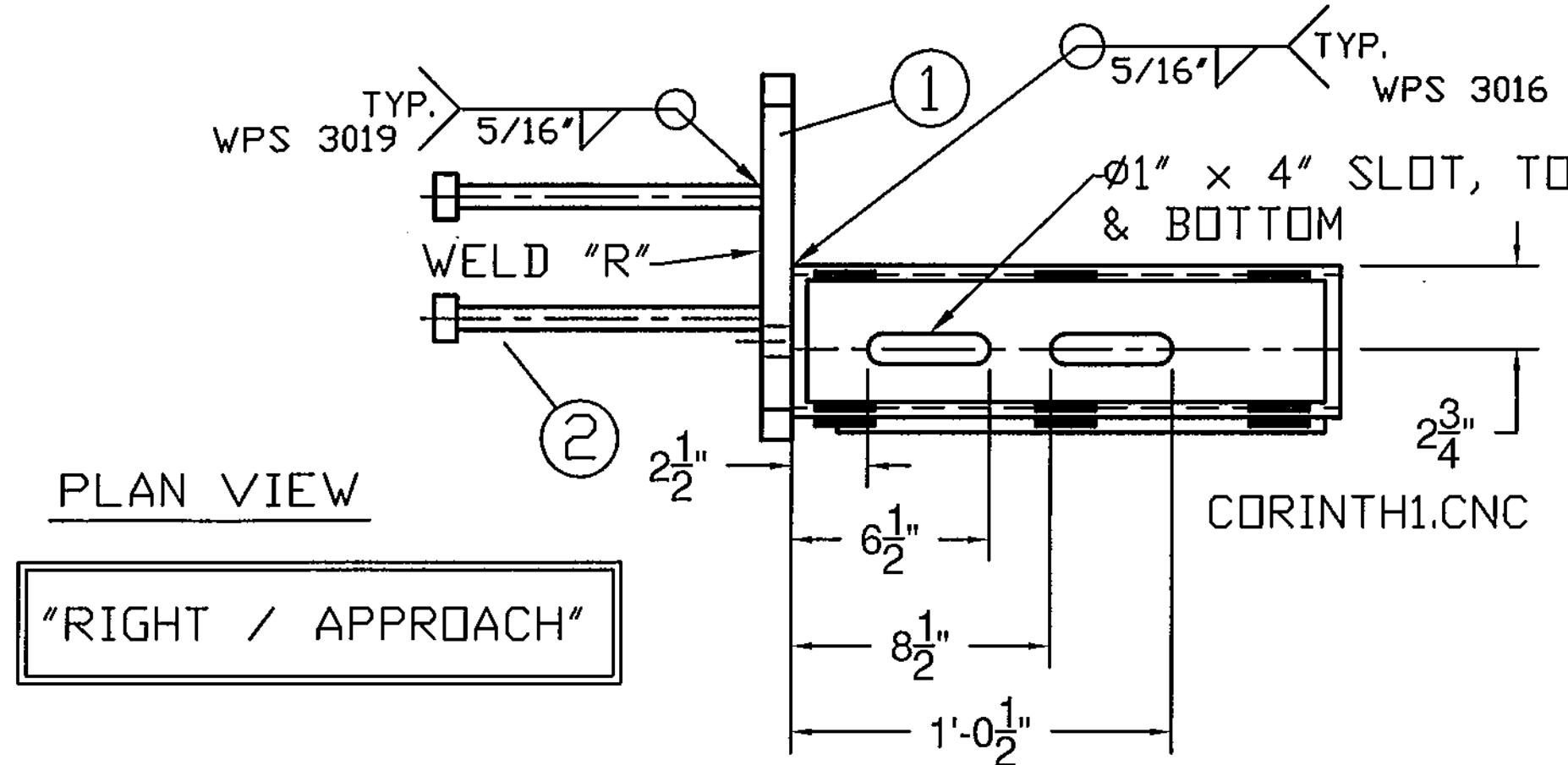
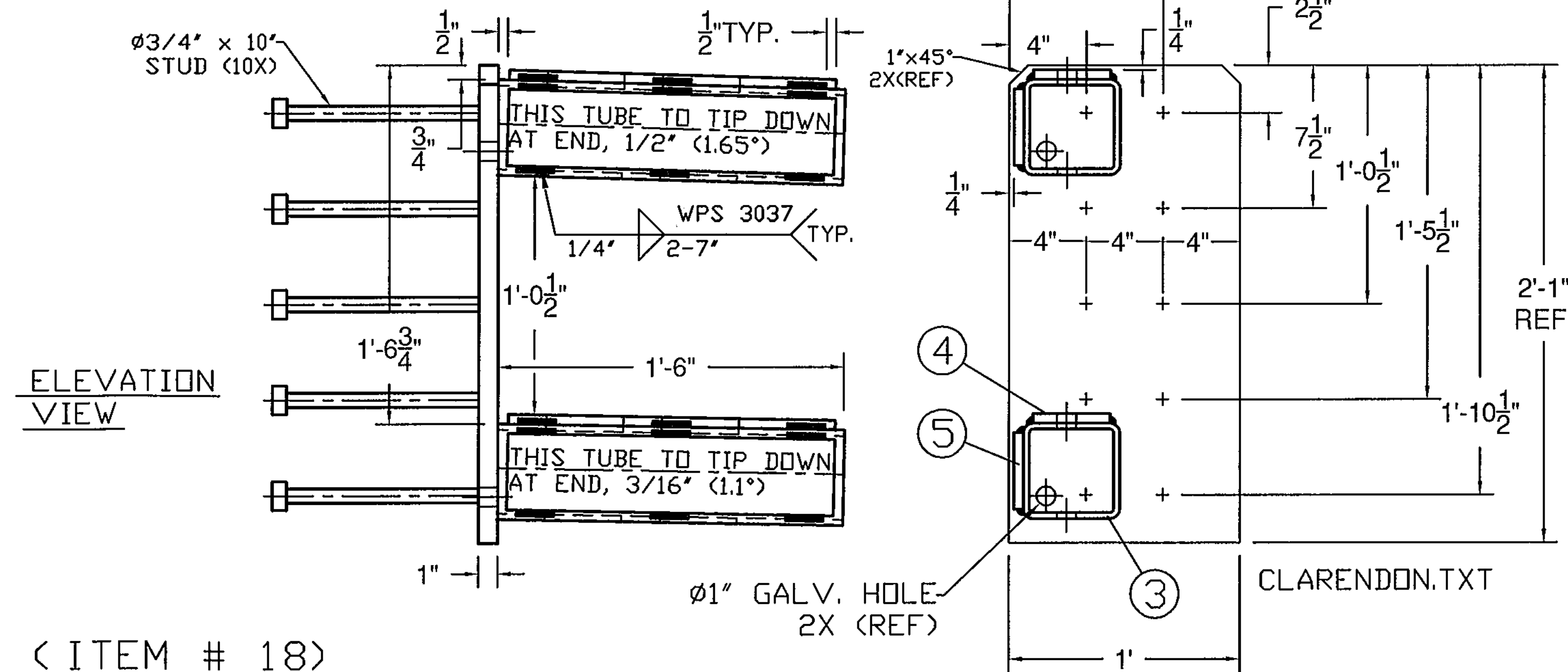


BILL OF MATERIALS			
ITEM #	QTY	DESCRIPTION	ASTM #
1	1	DBL TUBE WALL PLATE - 1' X 12' x 25'	ASTM A572 Gr. 50
2	10	Ø3/4" X 10" STUD	TO BE PURCHASED
3	2	5' X 5' X 5/16" TUBE W/ SLOTS @ 18"	ASTM A500 Gr. B
4	2	SHIM PL 1/2" X 4" X 17" W/ SLOTS	ASTM A709 Gr. 36 CVN
5	2	SHIM PL 1/2" X 4" X 17" (W/O SLOTS)	ASTM A709 Gr. 36 CVN

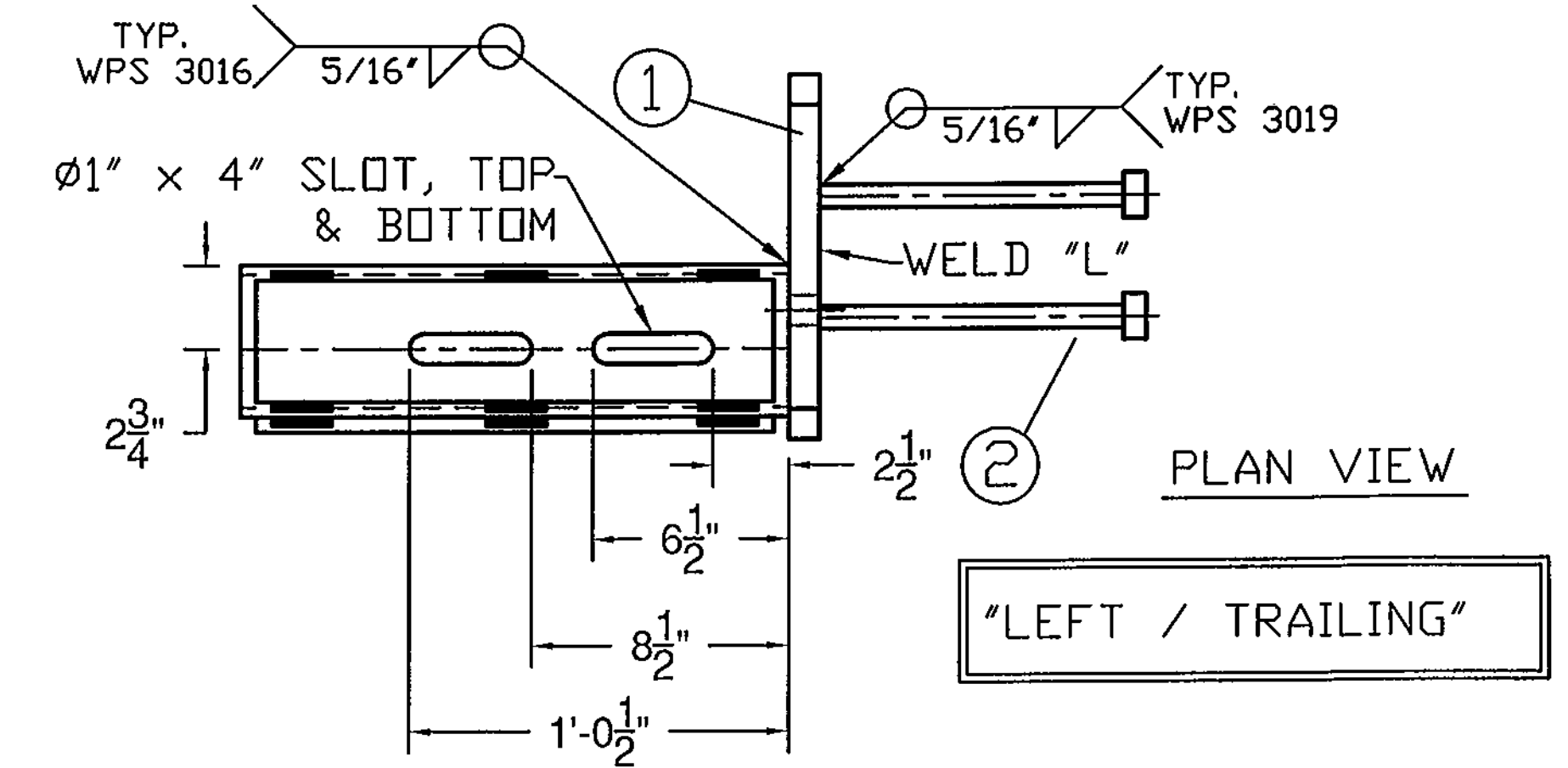


PROTRUSIONS CAUSED BY WELDING OR GALVANIZING ARE NOT PERMITTED ON THE SPLICE TUBES AND FILL PLATES  
 FR LAFAYETTE  
 CLAREDON (48)  
 P/N: 0054.900015  
 QTY: 2

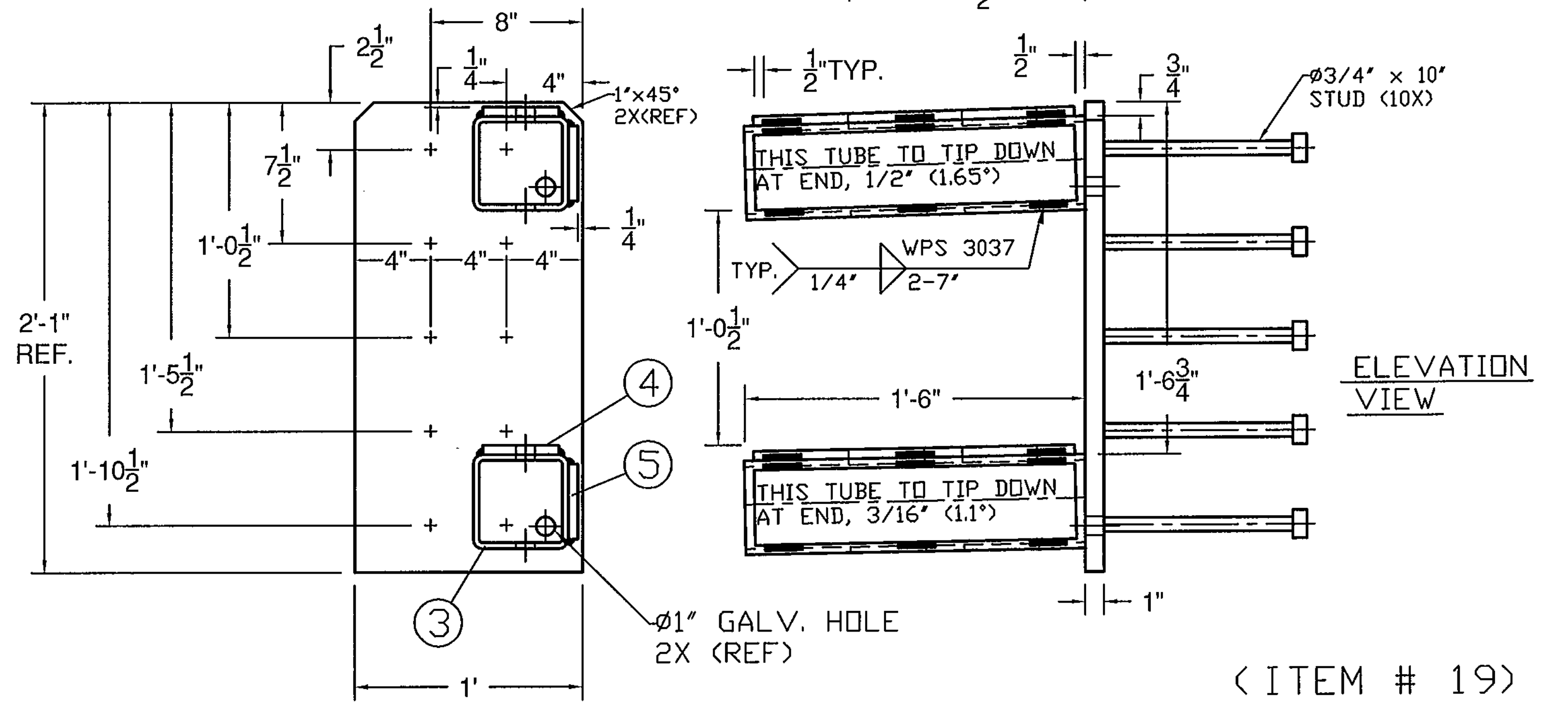


( ITEM # 18 )

BILL OF MATERIALS			
ITEM #	QTY	DESCRIPTION	ASTM #
1	1	DBL TUBE WALL PLATE - 1' X 12' x 25'	ASTM A572 Gr. 50
2	10	Ø3/4" X 10" STUD	TO BE PURCHASED
3	2	5' X 5' X 5/16" TUBE W/ SLOTS @ 18"	ASTM A500 Gr. B
4	2	SHIM PL 1/2" X 4" X 17" W/ SLOTS	ASTM A709 Gr. 36 CVN
5	2	SHIM PL 1/2" X 4" X 17" (W/O SLOTS)	ASTM A709 Gr. 36 CVN



PROTRUSIONS CAUSED BY WELDING OR GALVANIZING ARE NOT PERMITTED ON THE SPLICE TUBES AND FILL PLATES  
 FR LAFAYETTE  
 CLAREDON (48)  
 P/N: 0054.900016  
 QTY: 2



( ITEM # 19 )

Vermont Agency of Transportation  
**RECEIVED**  
 CK'D BY RF, SC OK'D BY G. Laroche  
 April 11, 2016  
 RESUBMIT No Approved  
 BY K. Higgins DATE 04/11/2016

ITEM #: 525.45

STRUCTURAL STEEL TO COMPLY W/ ASTM A6

TOLERANCE UNLESS OTHERWISE NOTED:  
 FRACTIONS = ± 1/16"  
 ANGLES = ± 1/2"  
 DIAMETERS = ± 1/32"



BRIDGE RAIL DETAILS SHEET				SHEET 3 OF 3			
ROUTE NO. T.H. 3 (CLASS 2), RURAL COLLECTOR, BRIDGE # 11							
TOWN OF CLARENDON, RUTLAND COUNTY, VT.							
R NO.	DATE	DESCRIPTION	BY	R NO.	DATE	DESCRIPTION	BY
E 1	2/11/16	REVISE PER 2/8/16 MARK-UP	E.P.	E			
V 2	3/31/16	REVISE END WALL CONNECTORS (TIP DOWN)	E.P.	V			

DRAWN	E.P.	1/20/16
CHECKED	D.L.	1/20/16
APPROVED		
SCALE	SCHEMATIC	
DRAWING NO. FRL - CLARENDON (48)		

**ELDERLEE, INC.**  
 OAKS CORNERS, NEW YORK 14518  
 E-Mail: dlong@elderlee.com / epeek@elderlee.com  
 Tel: 315-789-6670 Fax: 315-789-6615