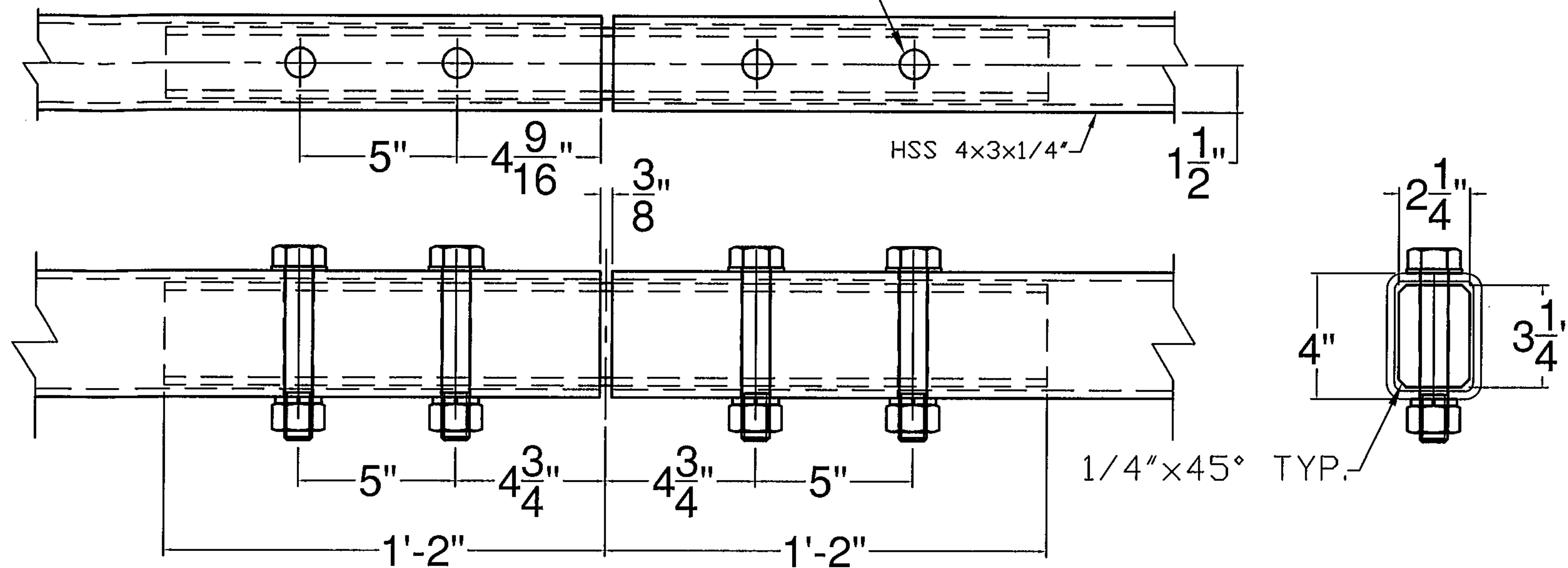


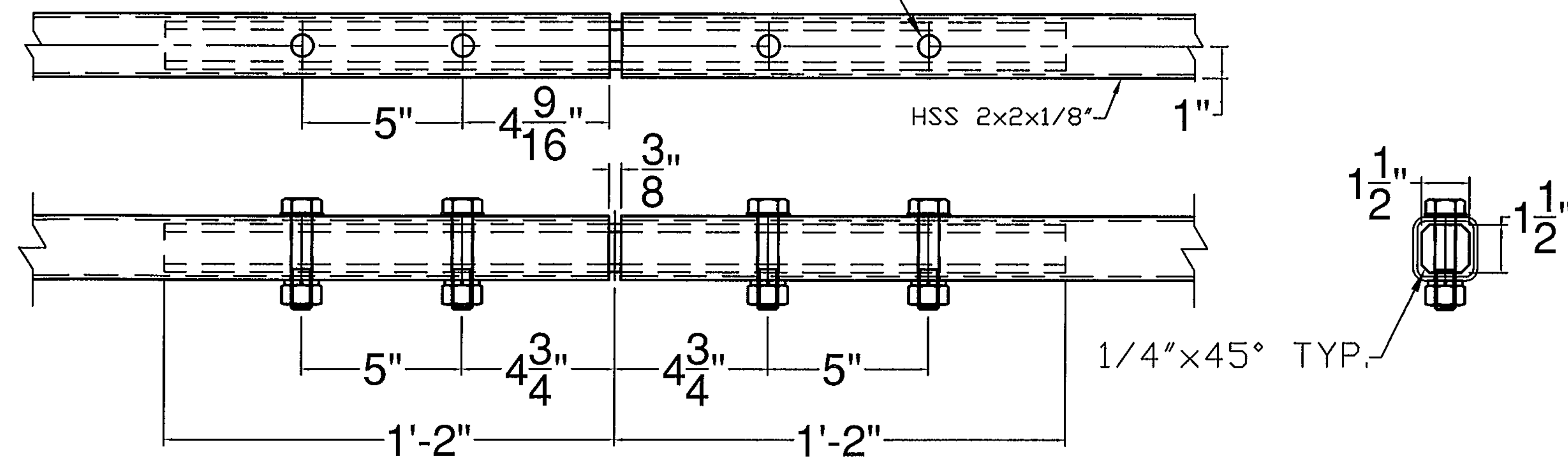
Ø15/16" THRU TUBE & SPLICE BAR,
 Ø7/8"X5 1/2" HEX BOLT & NUT,
 W/ (1) PLAIN HARDENED WASHER &
 (1) LOCK WASHER (4 PLACES)

TOP RAIL FIXED SPLICE DETAIL



Ø11/16" THRU TUBE & SPLICE BAR,
 Ø5/8"X3" HEX BOLT & NUT,
 W/ (1) PLAIN HARDENED WASHER &
 (1) LOCK WASHER (4 PLACES)

BOTTOM RAIL FIXED SPLICE DETAIL



ITEM #: 525.45

SHEET 2 OF 3

Vermont Agency of Transportation

RECEIVED

CK'D BY RF, SC OK'D BY G. Laroche

April 11, 2016

RESUBMIT No Approved
 BY K. Higgins DATE 04/11/2016

STRUCTURAL STEEL TO
 COMPLY W/ ASTM A6

TOLERANCE UNLESS
 OTHERWISE NOTED:
 FRACTIONS = ± 1/16"
 ANGLES = ± 1/2°
 DIAMETERS = ± 1/32"



BRIDGE RAIL DETAILS SHEET

ROUTE NO. T.H. 3 (CLASS 2), RURAL COLLECTOR, BRIDGE # 11
 TOWN OF CLARENDON, RUTAND COUNTY, VT.

R NO.	DATE	DESCRIPTION	BY	R NO.	DATE	DESCRIPTION	BY
1	2/11/16	REVISE PER 2/8/16 MARK-UP	E.P.	E			
2	3/31/16	REVISE END WALL CONNECTORS (TIP DOWN)	E.P.	V			



ELDERLEE, INC.

OAKS CORNERS, NEW YORK 14518
 E-Mail: dlong@elderlee.com / epesk@elderlee.com
 Tel: 315-789-6670 Fax: 315-789-6615



DRAWN	E.P.	1/20/16
CHECKED	D.L.	1/20/16
APPROVED		
SCALE	SCHEMATIC	
DRAWING NO. FRL - CLARENDON (48)		