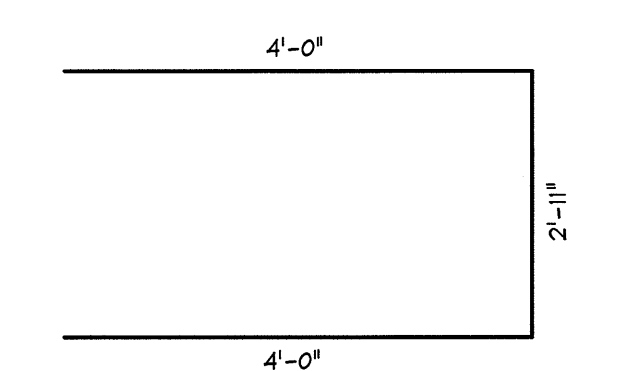
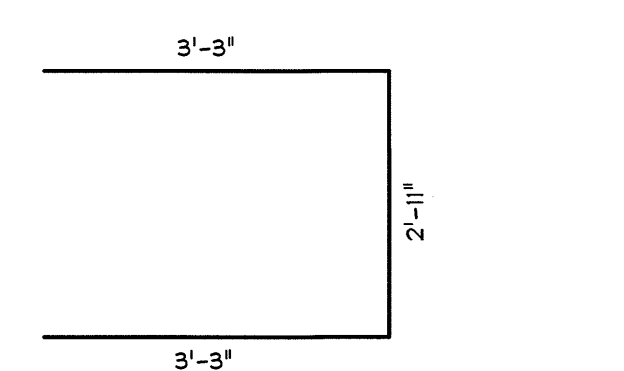


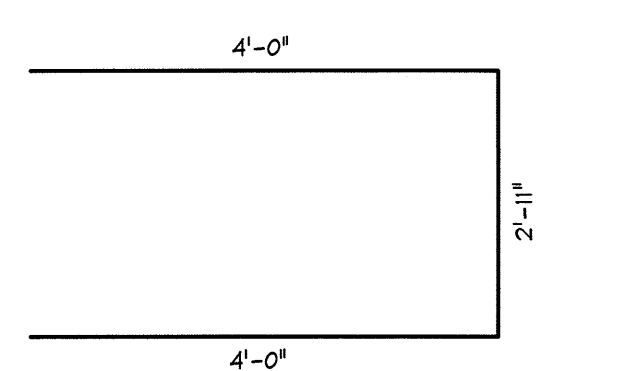
**C-401**  
#4 BENT BAR  
LEVEL I (BLACK)  
USE 2" (50 mm) PIN  
(40) REQ'D.



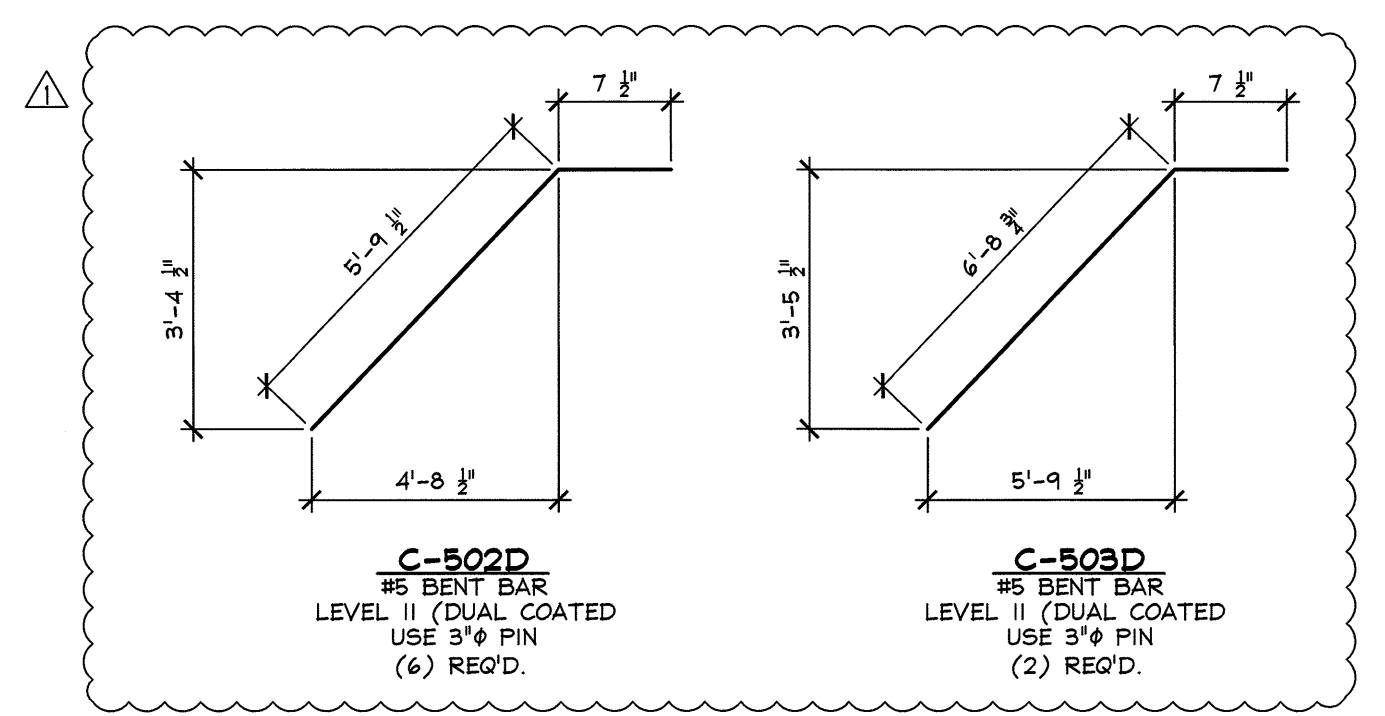
**C-402**  
#4 BENT BAR  
LEVEL I (BLACK)  
USE 2" (50 mm) PIN  
(21) REQ'D.



**C-403D**  
#4 BENT BAR  
LEVEL II (DUAL COATED)  
USE 2" (50 mm) PIN  
(4) REQ'D.

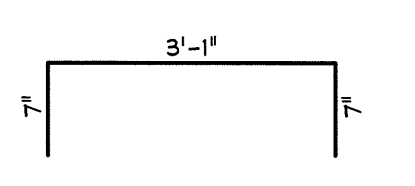


**C-404**  
#4 BENT BAR  
LEVEL II (DUAL COATED)  
USE 2" (50 mm) PIN  
(2) REQ'D.

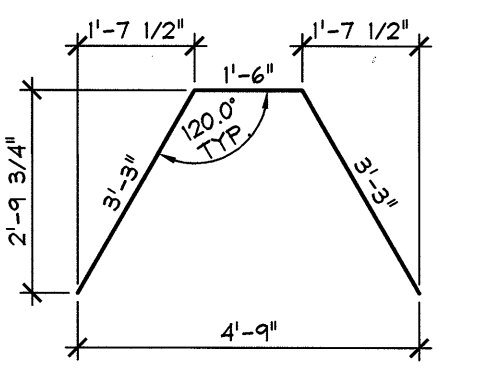


**C-502D**  
#5 BENT BAR  
LEVEL II (DUAL COATED)  
USE 3" (75 mm) PIN  
(6) REQ'D.

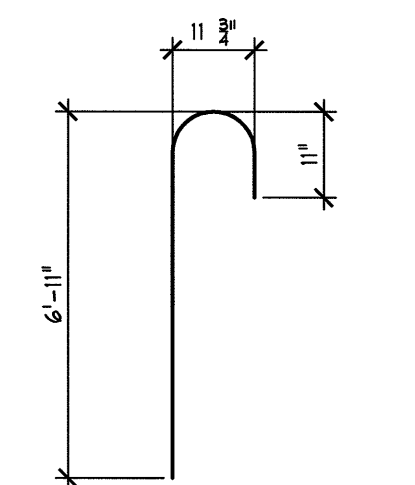
**C-503D**  
#5 BENT BAR  
LEVEL II (DUAL COATED)  
USE 3" (75 mm) PIN  
(2) REQ'D.



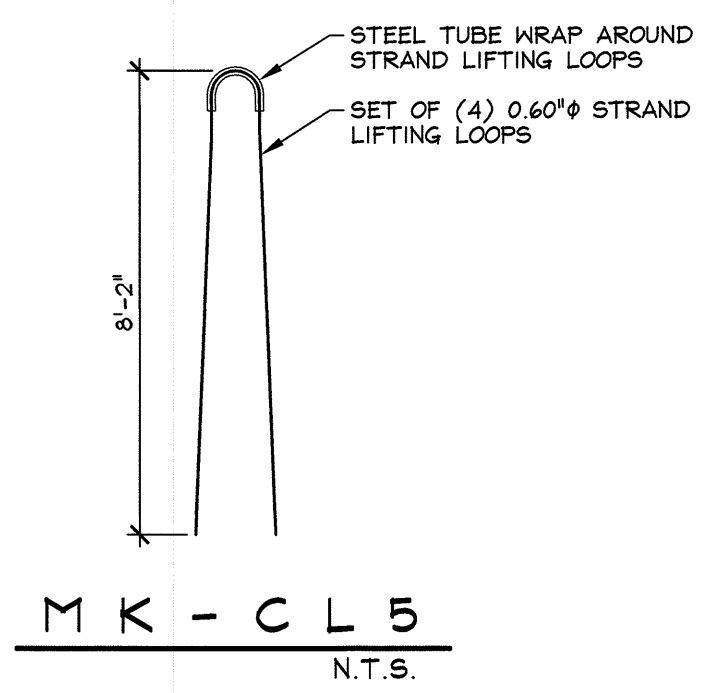
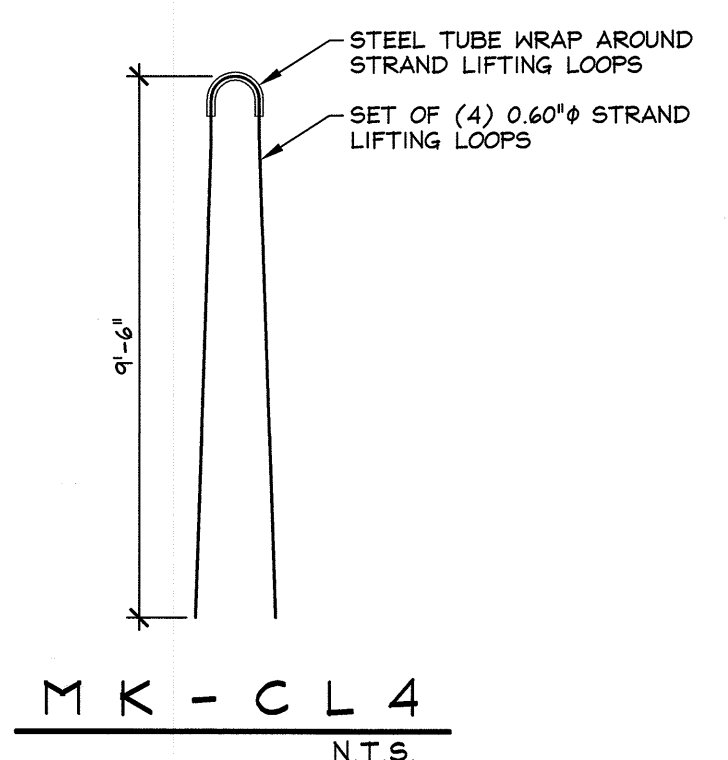
**C-501**  
#5 BENT BAR  
LEVEL I (BLACK)  
USE 3" (75 mm) PIN  
(75) REQ'D.



**C-601**  
#6 BENT BAR  
LEVEL I (BLACK)  
USE 4" (100 mm) PIN  
(21) REQ'D.



**C-901D**  
#4 BENT BAR  
LEVEL II (DUAL COATED)  
USE 1 1/2" (38 mm) PIN  
(56) REQ'D.



MISCELLANEOUS MATERIALS				
ITEM	MARK	QTY.	DESCRIPTION	REMARKS
1		9	DAYTON D-101-A #5 x 2'-6" (EPOXY COATED)	
2		6	DAYTON D-101-A #5 x 3'-8" (EPOXY COATED)	
3		6	DAYTON D-101-A #5 x 4'-10" (EPOXY COATED)	
4		2	DAYTON D-101-A #5 x 2'-11" (EPOXY COATED)	
5		2	DAYTON D-101-A #5 x 4'-4" (EPOXY COATED)	
6		2	DAYTON D-101-A #5 x 5'-8" (EPOXY COATED)	
7		12	DAYTON D-101 DOWEL-IN #5 x 2'-8" (EPOXY COATED)	
8		6	DAYTON D-101 DOWEL-IN #5 x 2'-6" (EPOXY COATED)	
9		9	DAYTON D-101 DOWEL-IN #5 x 1'-3" (EPOXY COATED)	
10				
11	C-401	40	#4 BENT BAR (LEVEL I)	
12	C-402	21	#4 BENT BAR (LEVEL I)	
13	C-403D	4	#4 BENT BAR (LEVEL II DUAL COATED)	
14	C-404D	2	#4 BENT BAR (LEVEL II DUAL COATED)	
15	C-501	75	#5 BENT BAR (LEVEL I)	
16	C-502D	6	#5 BENT BAR (LEVEL II DUAL COATED)	
17	C-503D	2	#5 BENT BAR (LEVEL II DUAL COATED)	
18	C-507D	30	#5 BENT BAR (LEVEL II DUAL COATED)	
19	C-601	21	#6 BENT BAR (LEVEL I)	
20	C-901D	56	#4 BENT BAR (LEVEL II, DUAL COATED)	
21		6	#8 x 38'-6" (LEVEL I)	
22		7	#5 x 38'-6" (LEVEL I)	
23		6	#8 x 39'-6" (LEVEL I)	
24		7	#5 x 39'-6" (LEVEL I)	
25		4	#5 x 13'-8" (LEVEL I)	
26		24	#5 x 8'-10" (LEVEL I DUAL COATED)	
27		6	#5 x 8'-6" (LEVEL II DUAL COATED)	
28		6	#5 x 7'-11" (LEVEL II DUAL COATED)	
29		6	#5 x 7'-4" (LEVEL II DUAL COATED)	
30		6	#5 x 6'-9" (LEVEL II DUAL COATED)	
31		6	#5 x 6'-2" (LEVEL II DUAL COATED)	
32		6	#5 x 5'-7" (LEVEL II DUAL COATED)	
33		18	#5 x 5'-3 1/4" (LEVEL I)	
34		49	#5 x 5'-1" (LEVEL I)	
35		48	#5 x 4'-6" (LEVEL II, DUAL COATED)	
36		2	#5 x 8'-7" (LEVEL II DUAL COATED)	
37		2	#5 x 8'-1" (LEVEL II DUAL COATED)	
38		2	#5 x 7'-7" (LEVEL II DUAL COATED)	
39		2	#5 x 7'-1" (LEVEL II DUAL COATED)	
40		2	#5 x 6'-7" (LEVEL II DUAL COATED)	
41		2	#5 x 6'-1" (LEVEL II DUAL COATED)	
42		2	#5 x 5'-9" (LEVEL II DUAL COATED)	
43		2	#5 x 5'-5" (LEVEL II DUAL COATED)	
44		2	#9 x 2'-6" (LEVEL II DUAL COATED)	SAMPLES
45		1	2'-0" x 5'-7 5/16" CORRUGATED STEEL PIPE (GALV.)	DOMESTIC ORIGIN (BY AMERICAN)
46		1	2'-0" x 5'-8 5/8" CORRUGATED STEEL PIPE (GALV.)	DOMESTIC ORIGIN (BY AMERICAN)
47		1	2'-0" x 5'-8 3/4" CORRUGATED STEEL PIPE (GALV.)	DOMESTIC ORIGIN (BY AMERICAN)
48		1	2'-0" x 5'-7 1/8" CORRUGATED STEEL PIPE (GALV.)	DOMESTIC ORIGIN (BY AMERICAN)
49		1	2'-0" x 5'-7 5/16" CORRUGATED STEEL PIPE (GALV.)	DOMESTIC ORIGIN (BY AMERICAN)
50		1	2'-0" x 5'-8 5/8" CORRUGATED STEEL PIPE (GALV.)	DOMESTIC ORIGIN (BY AMERICAN)
51		2	2'-0" x 5'-9" CORRUGATED STEEL PIPE (GALV.)	DOMESTIC ORIGIN (BY AMERICAN)
52		1	2'-0" x 5'-8 3/4" CORRUGATED STEEL PIPE (GALV.)	DOMESTIC ORIGIN (BY AMERICAN)
53		1	2'-0" x 5'-7 1/8" CORRUGATED STEEL PIPE (GALV.)	DOMESTIC ORIGIN (BY AMERICAN)
54	MK-CL4	8	SET OF (4) 0.60" STRAND LIFTING LOOPS	
55	MK-CL5	4	SET OF (4) 0.60" STRAND LIFTING LOOPS	

PRECAST ABUTMENTS

APPROVAL STAMP:  
**Vermont Agency of Transportation**  
**RECEIVED**  
 CK'D BY SC, TM OK'D BY G. Laroche  
 March 18, 2016  
 RESUBMIT No Approved  
 BY K. Higgins DATE 3/28/2016

**J.P. CARRARA & SONS INC.**  
 Precast & Prestress Manufacturer  
 2484 OSE ST., MIDDLEBURY, VERMONT 05753 Phone: (802)388-6361 Fax: (802)388-9010

**J.A. McDonald, Inc.**  
 CONTRACTOR  
 LYNDON CENTER, VERMONT

**STATE OF VERMONT AGENCY OF TRANSPORTATION**  
 COUNTY OF RUTLAND

**TOWN OF CLARENDON**  
 WALKER MOUNTAIN ROAD, TH #3, RURAL COLLECTOR  
 BRIDGE NO.: 11 PROJECT NO.: BRO 1443(4B)

**MATERIALS LIST**  
**ABUTMENTS**

DATE: JAN. 8, 2016  
 SCALE: NOTED  
 CHKD: DFTM: T.D.  
 JOB NO: 23476-015  
 DWG. NO: **M2**

3/11/16 REVISED AS PER ENGINEERS COMM. T.D.