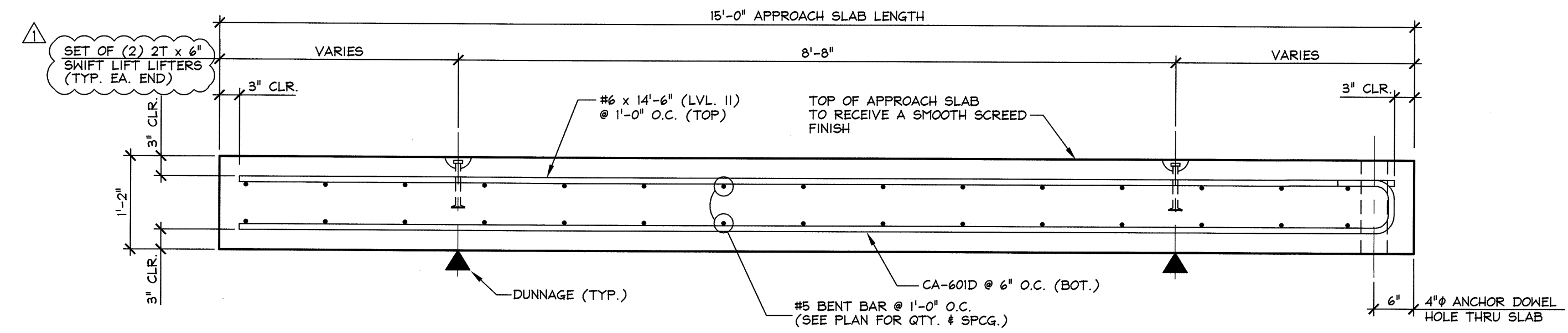
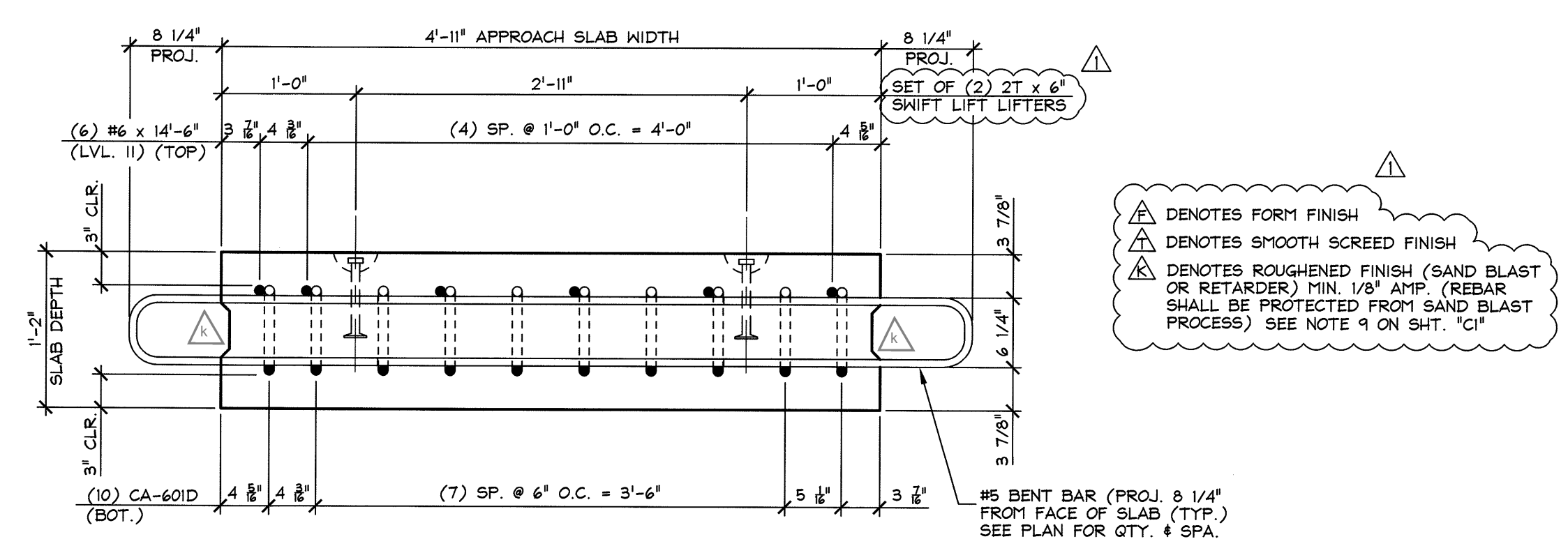


1 PLAN VIEW IN FORM  
AS3  
1/2" = 1'-0"



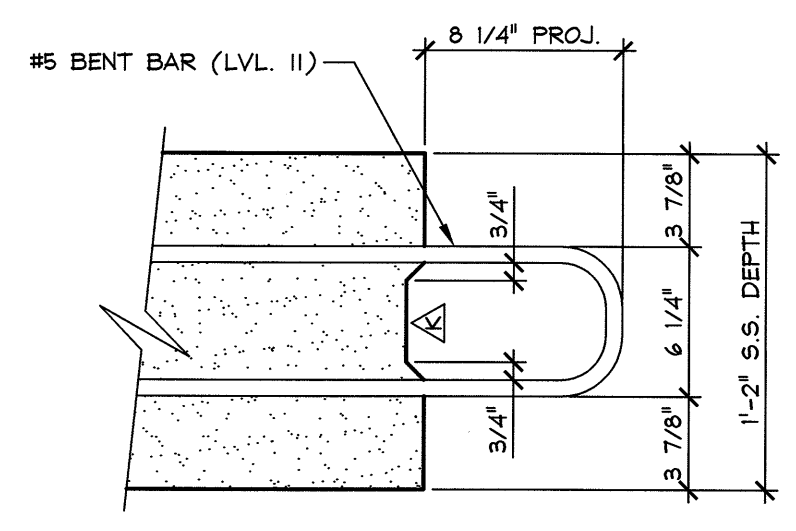
A LONGITUDINAL SECTION  
AS3  
3/4" = 1'-0"



B SECTION  
AS3  
1" = 1'-0"

△ DENOTES FORM FINISH  
△ DENOTES SMOOTH SCREED FINISH  
△ DENOTES ROUGHENED FINISH (SAND BLAST OR RETARDER) MIN. 1/8\"/>

SHOP NOTE:  
f<sub>c</sub> = 5,000 PSI  
f<sub>ci</sub> = 3,000 PSI  
MIX #445MSCC



SHEAR KEY DETAIL  
1 1/2" = 1'-0"

MARK: C-AS3		QTY.: 2	WT.: 6.45 T	VOL.: 3.19 cy
MATERIAL LIST / APPROACH SLAB				
ITEM	MARK	DESCRIPTION	QTY.	
1	CA-506D	#5 BENT BAR (LEVEL II, DUAL COATED)	2	
2				
3	CA-505D	#5 BENT BAR (LEVEL II, DUAL COATED)	26	
4	CA-601D	#6 BENT BAR (LEVEL II, DUAL COATED)	10	
5				
6		#6 x 14'-6" (LEVEL II DUAL COATED)	6	
7				
8				
9				
10				
11				
12				
13				
14		DAYTON 2T x 6\"/>		
15				

APPROVAL STAMP:  
**Vermont Agency of Transportation**  
**RECEIVED**  
 CK'D BY SC, TM OK'D BY G. Laroche  
 March 18, 2016  
 RESUBMIT No Approved AsNoted  
 BY K. Higgins DATE 3/28/2016

**J.P. CARRARA & SONS INC.**  
 Precast & Prestress Manufacturer  
 2464 OAK ST., MIDDLEBURY, VERMONT 05753 Phone: (802)388-6361 Fax: (802)388-9010

**J.A. McDonald, Inc.**  
 CONTRACTOR  
 LYNDON CENTER, VERMONT

**STATE OF VERMONT AGENCY OF TRANSPORTATION**  
 COUNTY OF RUTLAND

**TOWN OF CLARENDON**  
 WALKER MOUNTAIN ROAD, TH #3, RURAL COLLECTOR  
 BRIDGE NO.: 11 PROJECT NO.: BRO 1443(48)

DATE: JAN. 8, 2016  
 SCALE: NOTED  
 CHKD: DFTM: T.D.  
 JOB NO: 23476-015  
 DWG. NO: AS3