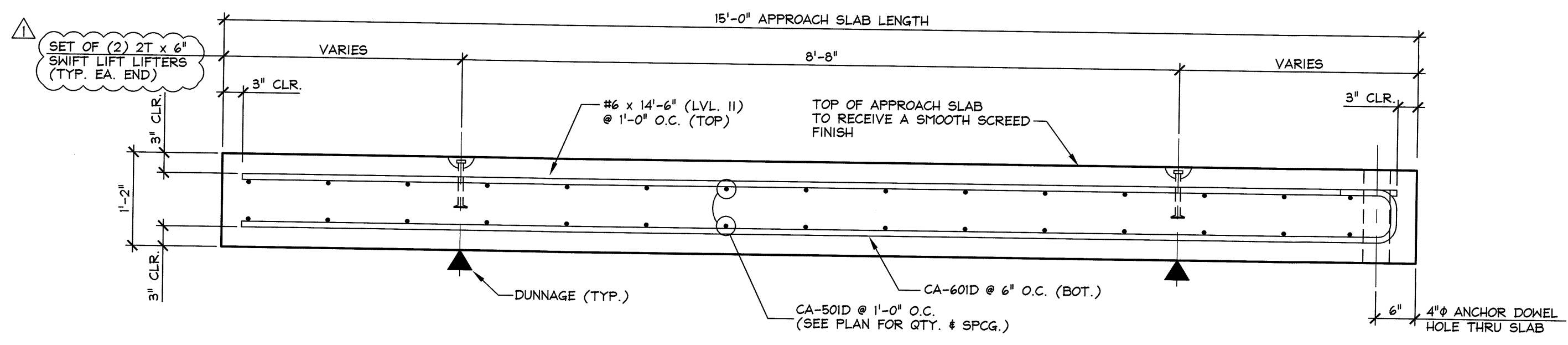
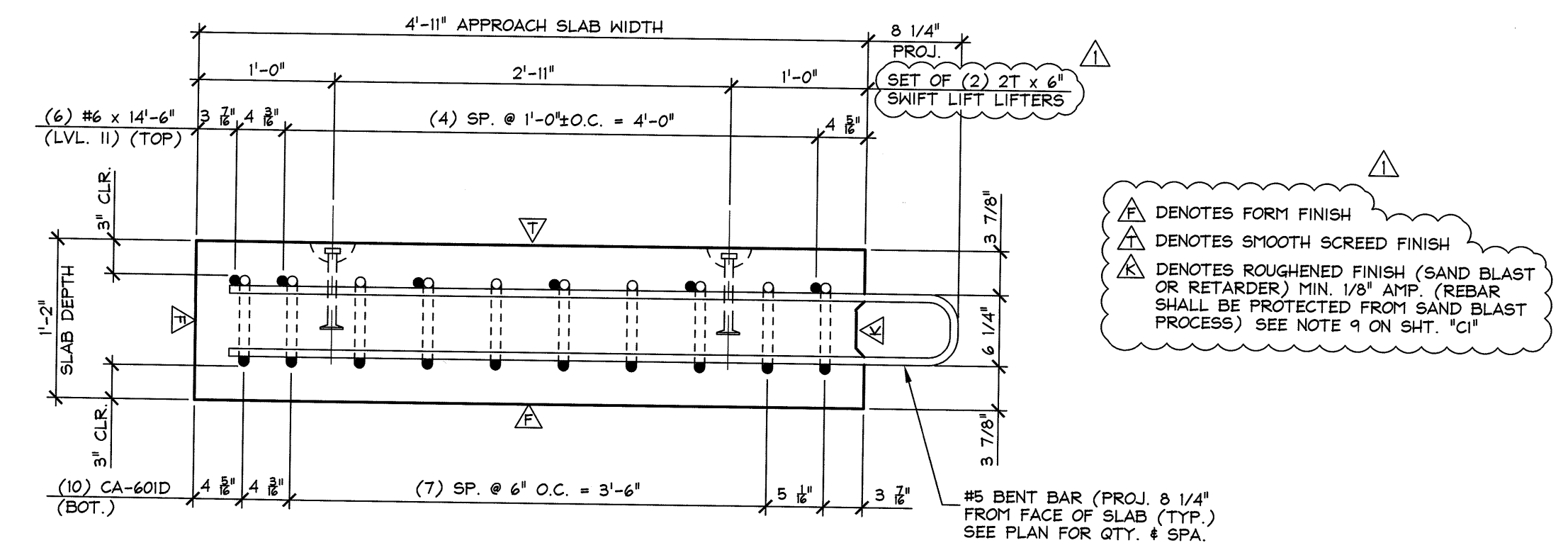


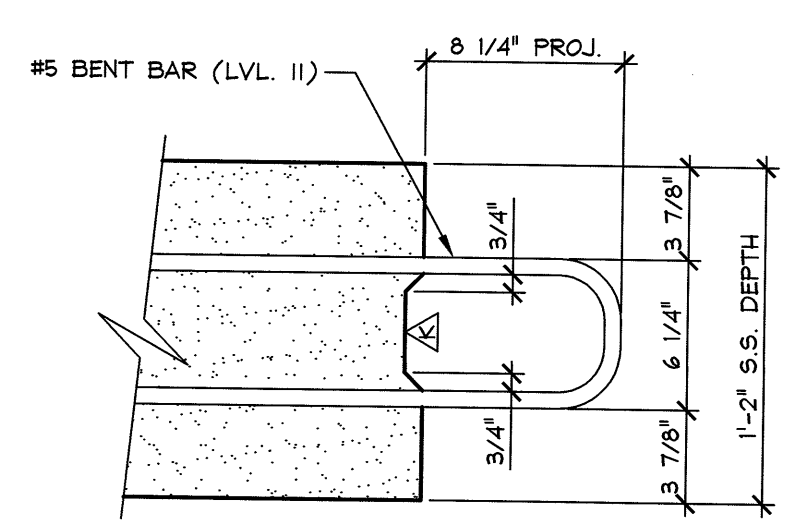
1 PLAN VIEW IN FORM  
1/2" = 1'-0"



A LONGITUDINAL SECTION  
3/4" = 1'-0"



B SECTION  
1" = 1'-0"



SHEAR KEY DETAIL  
1 1/2" = 1'-0"

SHOP NOTE:  
f'c = 5,000 PSI  
f'si = 5,000 PSI  
MIX #445MSCC

MARK: C-ASI QTY.: 2 WT.: 6.45 T VOL.: 3.19 cy			
MATERIAL LIST / APPROACH SLAB			
ITEM	MARK	DESCRIPTION	QTY.
1	CA-501D	#5 BENT BAR (LEVEL II, DUAL COATED)	13
2	CA-502D	#5 BENT BAR (LEVEL II, DUAL COATED)	1
3	CA-601D	#6 BENT BAR (LEVEL II, DUAL COATED)	10
4			
5			
6		#6 x 14'-6" (LEVEL II DUAL COATED)	6
7		#5 x 4'-6" (LEVEL II DUAL COATED)	4
8			
9			
10			
11			
12			
13			
14		DAYTON 2T x 6' SWIFT LIFT (DOMESTIC)	4
15			

▲ DENOTES FORM FINISH  
 ▲ DENOTES SMOOTH SCREED FINISH  
 ▲ DENOTES ROUGHENED FINISH (SAND BLAST OR RETARDER) MIN. 1/8" AMP. (REBAR SHALL BE PROTECTED FROM SAND BLAST PROCESS) SEE NOTE 9 ON SHIT. "CI"

3/11/16 REVISED AS PER ENGINEERS COMM. T.D.

APPROVAL STAMP:  
 Vermont Agency of Transportation  
**RECEIVED**  
 CK'D BY SC.TM OK'D BY G. Laroche  
 March 18, 2016  
 RESUBMIT No Approved  
 BY K. Higgins DATE 3/28/2016

J.P. CARRARA & SONS INC.  
 Precast & Prestress Manufacturer  
 2464 CASE STR., MIDDLEBURY, VERMONT 05753 Phone:(802)388-6361 Fax:(802)388-9010  
 J.A. McDonald, Inc.  
 CONTRACTOR  
 LYNDON CENTER, VERMONT  
 STATE OF VERMONT AGENCY OF TRANSPORTATION  
 COUNTY OF RUTLAND  
 TOWN OF CLARENDON  
 WALKER MOUNTAIN ROAD, TH #3, RURAL COLLECTOR  
 BRIDGE NO.: 11 PROJECT NO.: BRO 1448(48)  
 DATE: JAN. 8, 2016  
 SCALE: NOTED  
 CHKD: DFTM: T.D.  
 JOB NO: 23476-015  
 DWG. NO: ASI