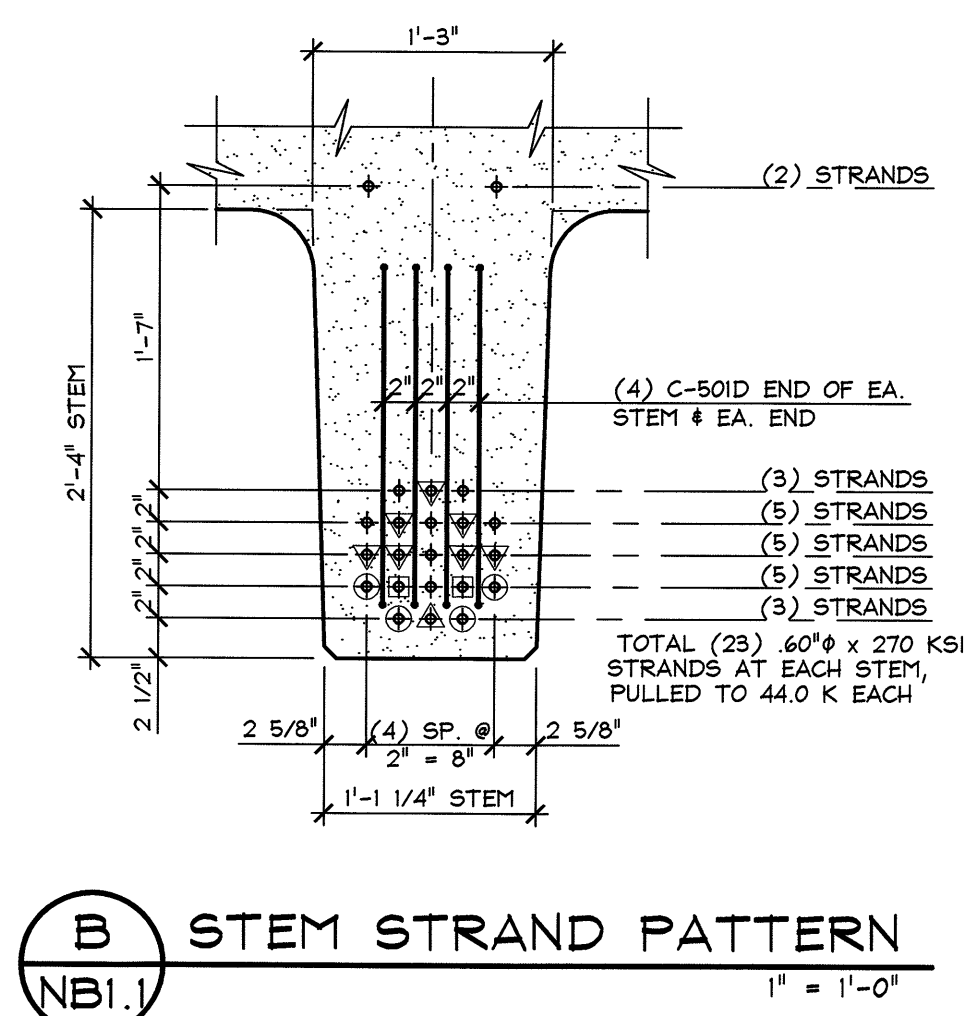


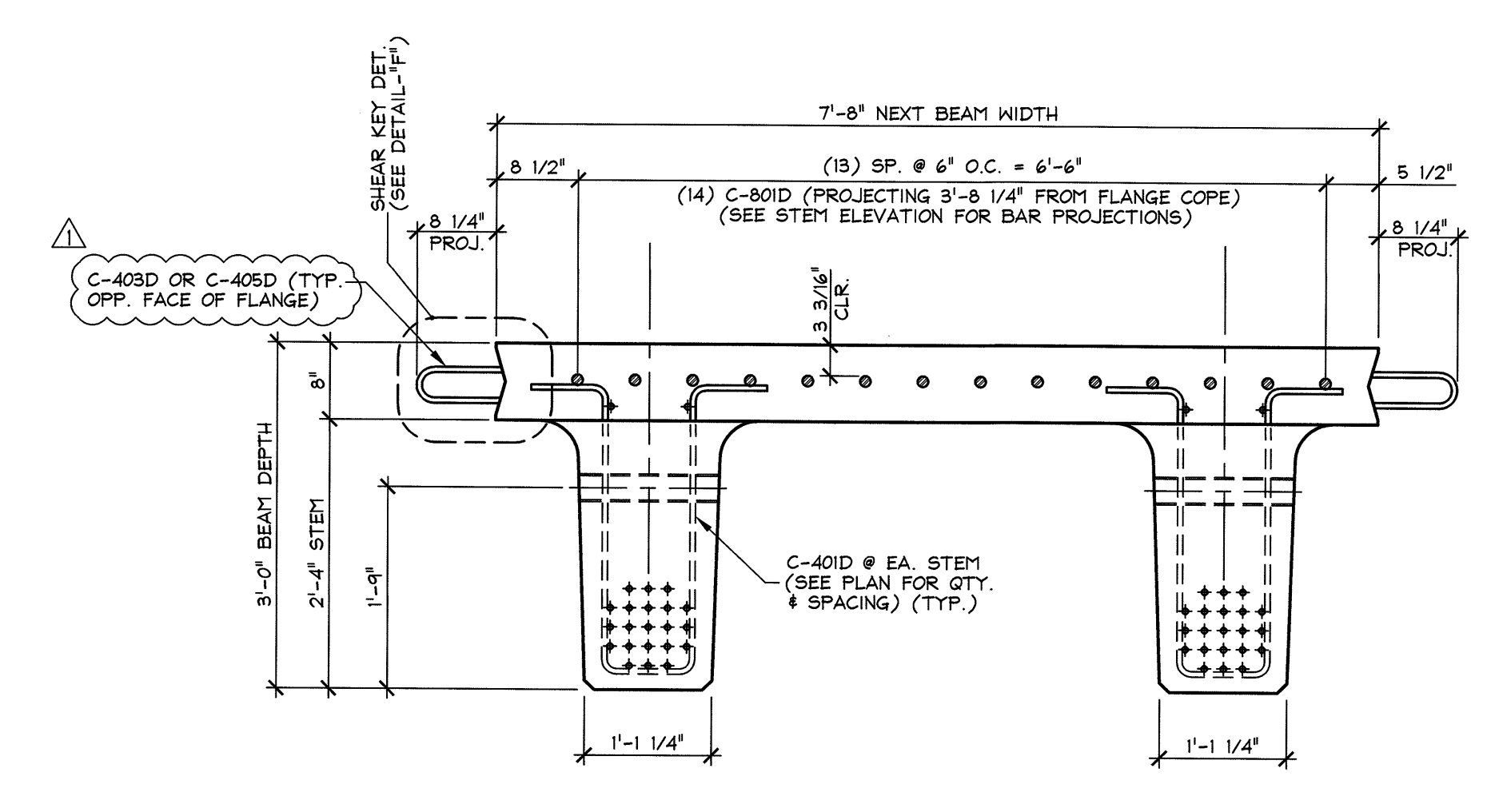
A DIMENSIONAL & REINFORCING SECTION
NBI.1 @ MID-SPAN
 3/4" = 1'-0"



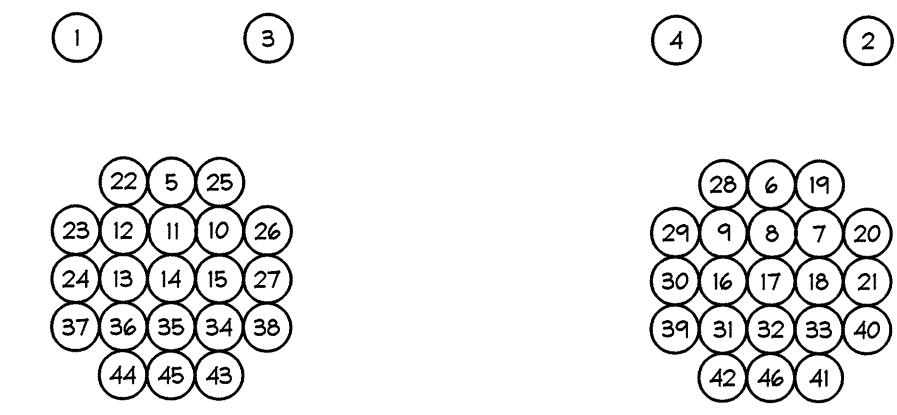
B STEM STRAND PATTERN
NBI.1
 1" = 1'-0"

PRESTRESSING NOTATIONS

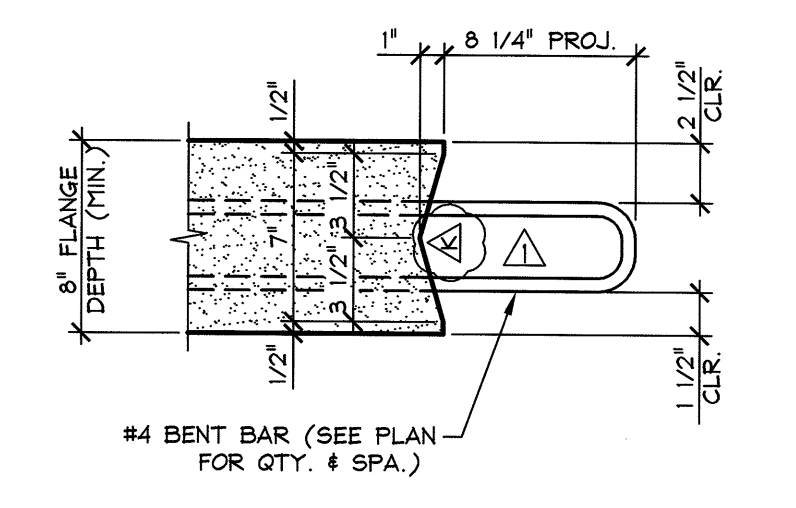
- ▼ DENOTES STRAIGHT STRANDS TO BE DEBONDED 6" FROM EA. END OF EA. STEM
- ⊕ DENOTES STRAIGHT STRANDS TO BE DEBONDED 2'-0" FROM EA. END OF EA. STEM
- ▲ DENOTES STRAIGHT STRANDS TO BE DEBONDED 4'-0" FROM EA. END OF EA. STEM
- ⊙ DENOTES FULLY BONDED STRAIGHT STRANDS EXTENDED 2'-2" FROM EA. END OF EA. STEM (90° BEND @ 8" OUT)
- ⋄ DENOTES FULLY BONDED STRAIGHT STRANDS TO BE CUT FLUSH W/ EA. END OF EA. STEM



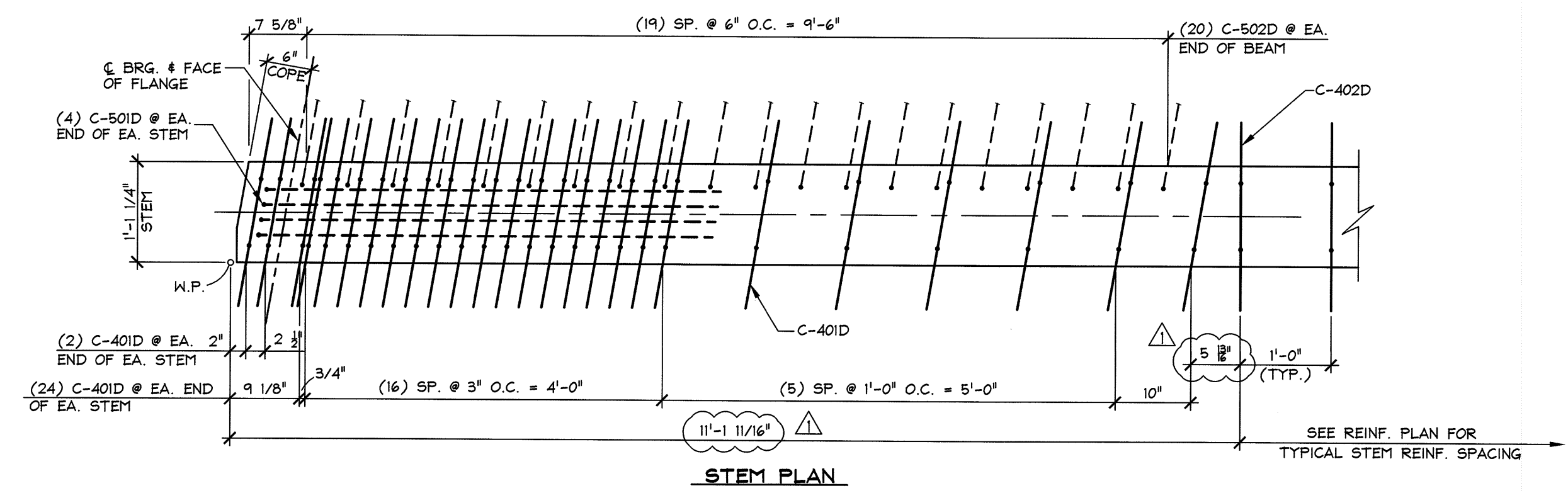
C DIMENSIONAL & REINFORCING SECTION
NBI.1 @ BEAM END
 3/4" = 1'-0"



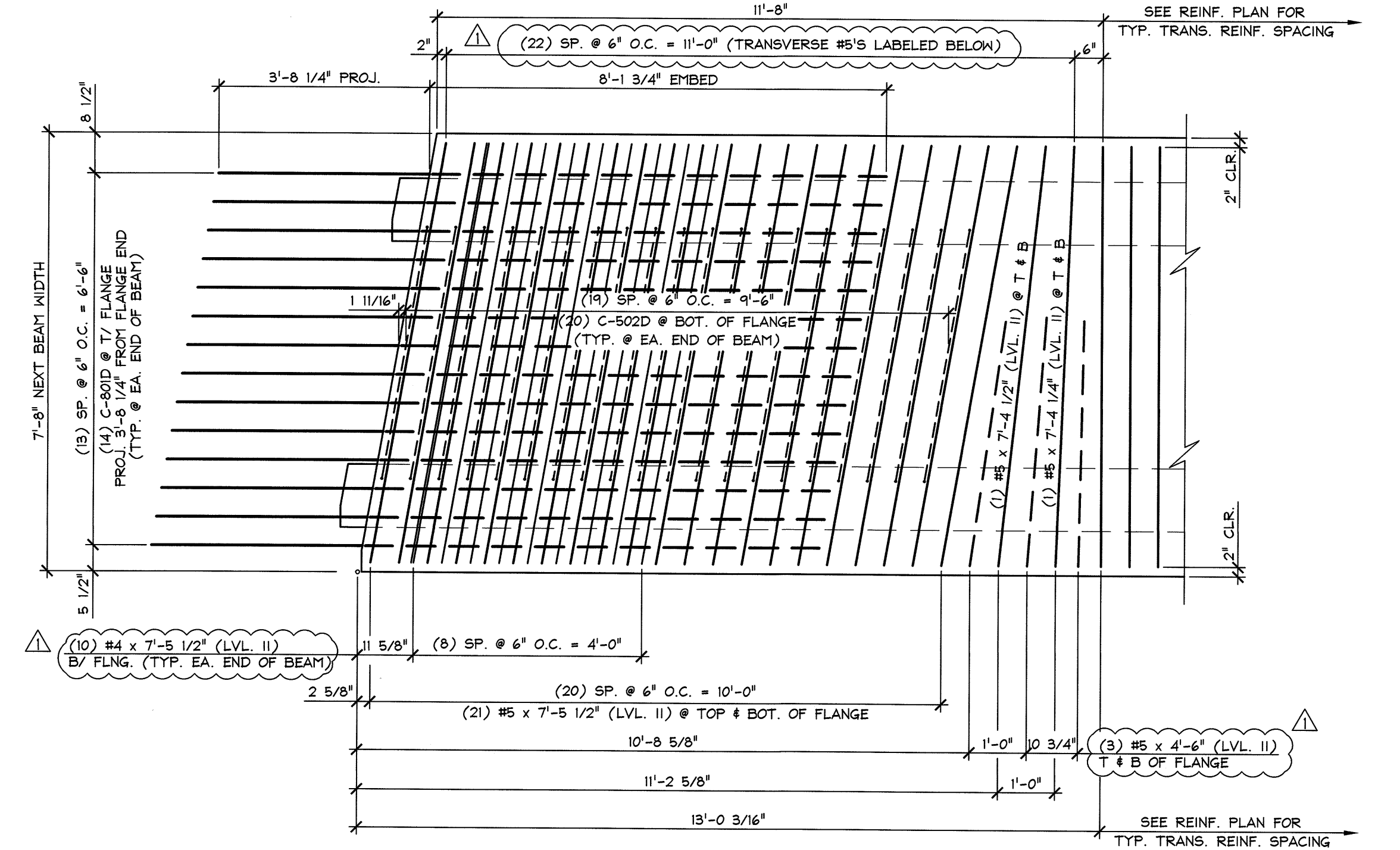
DETENSIONING SCHEDULE
 N.T.S.



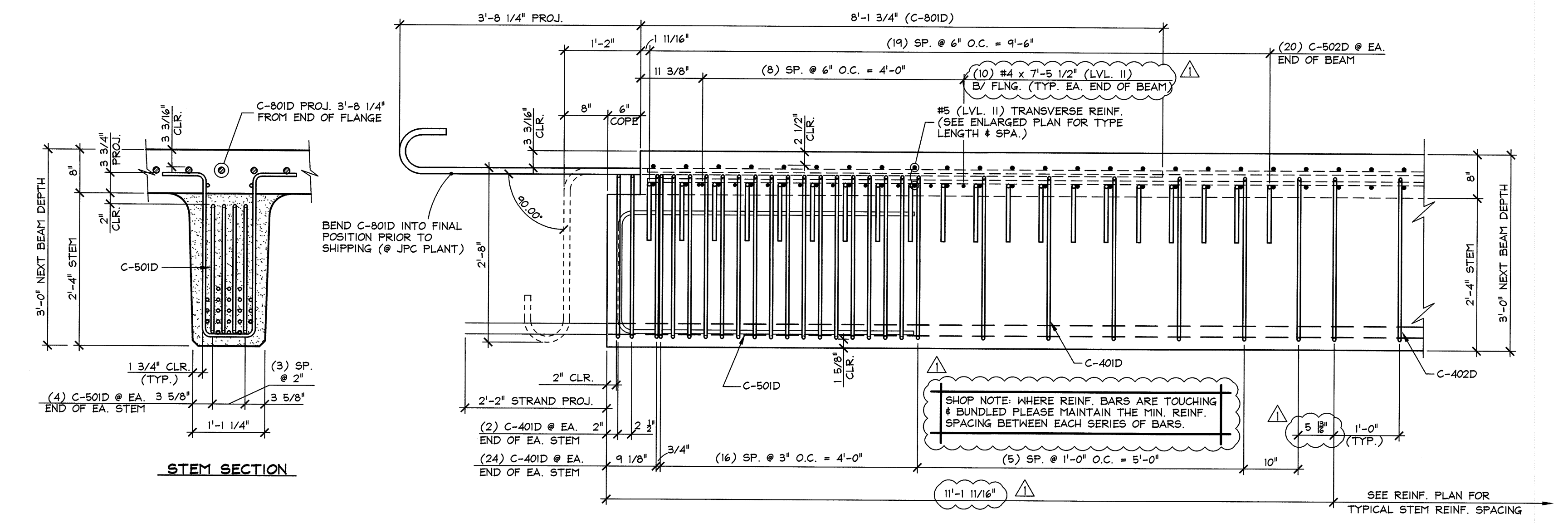
F SHEAR KEY DETAIL
NBI.1
 1 1/2" = 1'-0"



STEM PLAN



E ENLARGED TRANSVERSE REINFORCING PLAN
NBI.1
 LONGITUDINAL REINFORCING & STEM STIRRUPS NOT SHOWN FOR CLARITY
 1/2" = 1'-0"



D END BLOCK STEM REINFORCING DETAILS
NBI.1
 3/4" = 1'-0"

SHOP NOTE: WHERE REIN. BARS ARE TOUCHING & BUNDLED PLEASE MAINTAIN THE MIN. REIN. SPACING BETWEEN EACH SERIES OF BARS.

APPROVAL STAMP:
 Vermont Agency of Transportation
RECEIVED
 CK'D BY SC, TM OK'D BY G. Laroche
 March 18, 2016
 RESUBMIT No Approved
 BY K. Higgins DATE 3/28/2016

J.P. CARRARA & SONS INC.
 Precast & Prestress Manufacturer
 244 GATE STR., MIDDLEBURY, VERMONT 05753 Phone: (802)388-6361 Fax: (802)388-9010
 J.A. McDonald, Inc.
 CONTRACTOR
 LYNDON CENTER, VERMONT
 STATE OF VERMONT AGENCY OF TRANSPORTATION
 COUNTY OF RUTLAND
 TOWN OF CLARENDON
 WALKER MOUNTAIN ROAD, TH #3, RURAL COLLECTOR
 BRIDGE NO.: 11 PROJECT NO.: BRO 1443(4B)
 DATE: JAN. 8, 2016
 SCALE: NOTED
 CHKD: DFTM: T.D.
 JOB NO: 23476-015
 DWG. NO: **NBI.1**
 PRESTRESSED NEXT BEAM DETAILS