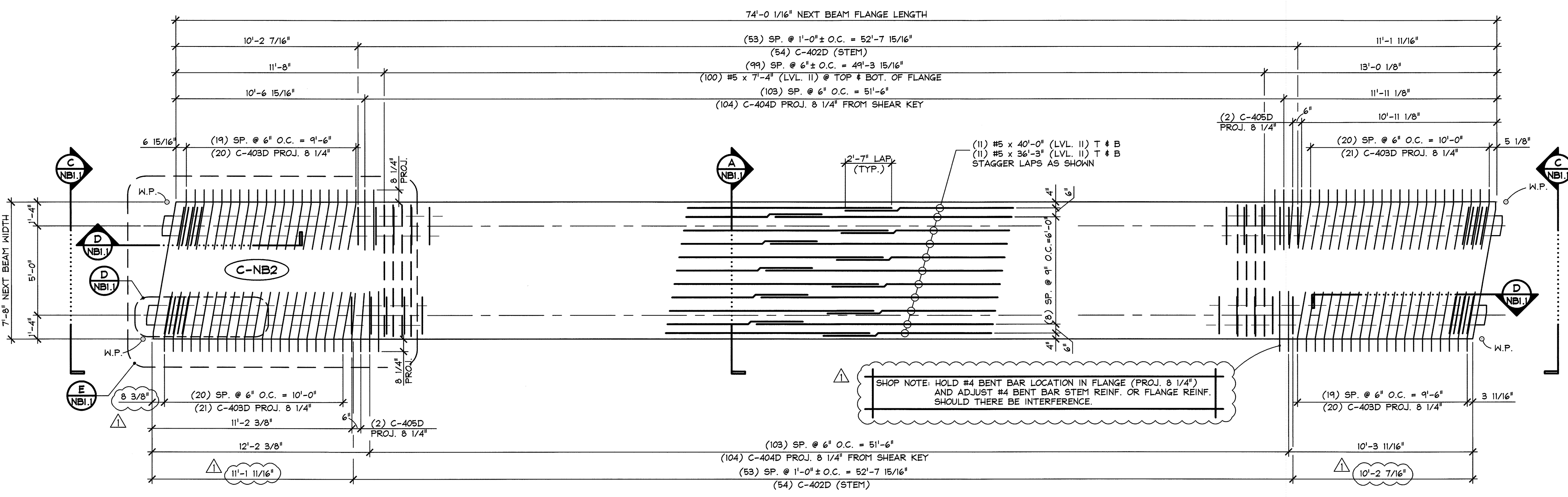
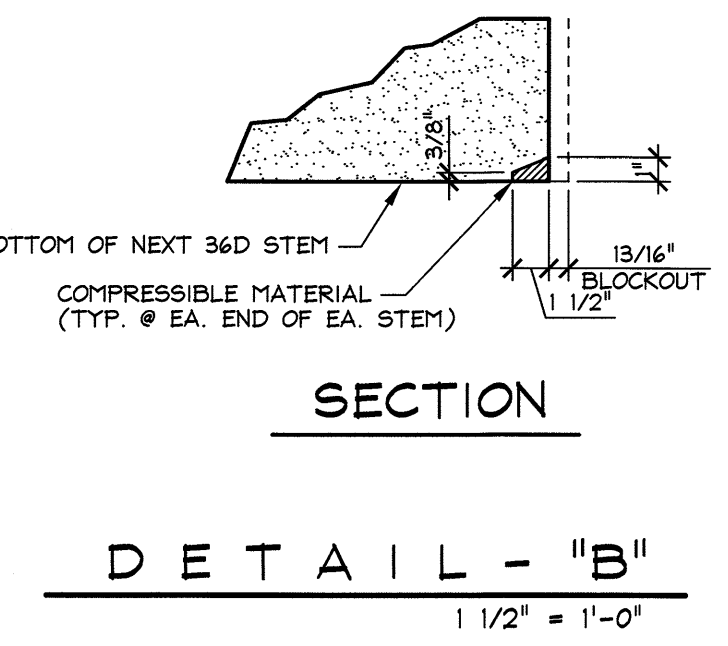
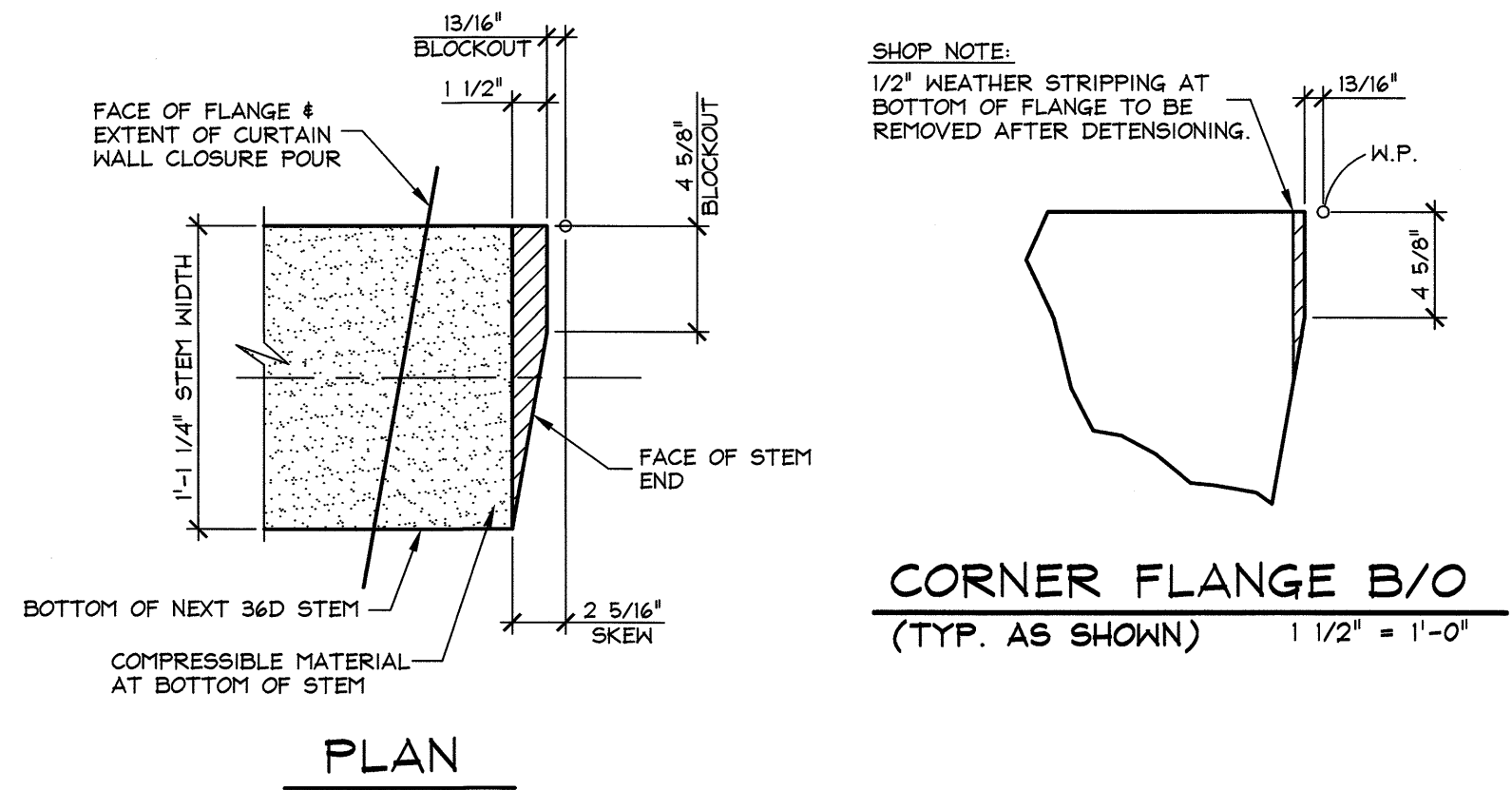


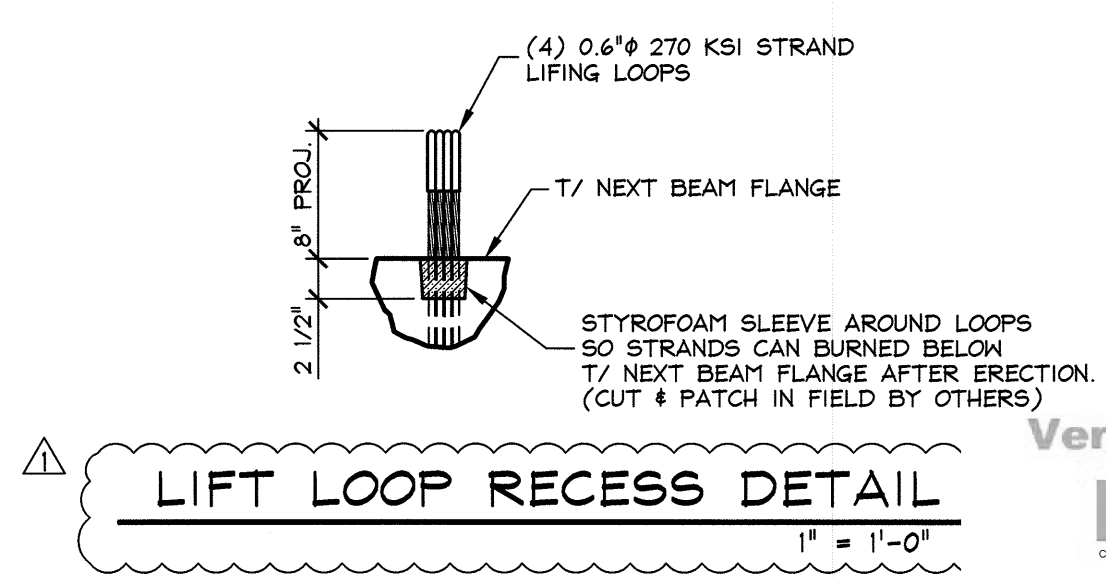
1 DIMENSIONAL PLAN VIEW IN FORM "C-NB2"
1/4" = 1'-0"



2 REINFORCING PLAN VIEW IN FORM "C-NB2"
1/4" = 1'-0"

SHOP NOTE:
f'c = 10,000 PSI
f'ci = 8,000 PSI
MIX #430M

MARK: C-NB2 QTY.: 1 WT.: 59.42 T VOL.: 29.34 cy			
MATERIAL LIST / NEXT BEAM			
ITEM	MARK	DESCRIPTION	QTY.
1			
2	MK-CL2	1/2" x 3" B16 COIL LOOP INSERT (GALV.)	36
3	MK-CL3	SET OF (4) 0.60" STRAND LIFTING LOOPS x 3'-6" LONG	4
4			
5	C-401D	#4 BENT BAR (LEVEL II, DUAL COATED)	104
6	C-402D	#4 BENT BAR (LEVEL II, DUAL COATED)	108
7	C-403D	#4 BENT BAR (LEVEL II, DUAL COATED)	82
8	C-404D	#4 BENT BAR (LEVEL II, DUAL COATED)	208
9	C-405D	#4 BENT BAR (LEVEL II, DUAL COATED)	4
10			
11	C-501D	#5 BENT BAR (LEVEL II, DUAL COATED)	16
12	C-502D	#5 BENT BAR (LEVEL II, DUAL COATED)	40
13			
14	C-801D	#6 BENT BAR (LEVEL II, DUAL COATED)	28
15			
16		#4 x 7'-5 1/2" (LEVEL II, DUAL COATED)	20
17		#5 x 7'-5 1/2" (LEVEL II, DUAL COATED)	84
18		#5 x 7'-4 1/2" (LEVEL II, DUAL COATED)	4
19		#5 x 7'-4 1/4" (LEVEL II, DUAL COATED)	4
20		#5 x 4'-6" (LEVEL II, DUAL COATED)	12
21		#5 x 7'-4" (LEVEL II, DUAL COATED)	200
22		#5 x 40'-0" (LEVEL II, DUAL COATED)	22
23		#5 x 36'-3" (LEVEL II, DUAL COATED)	22
24			
25			



3/11/16 REVISED AS PER ENGINEERS COMM. T.D.

APPROVAL STAMP:

Vermont Agency of Transportation

RECEIVED

CK'D BY SC, TM OK'D BY G. Laroche

March 18, 2016

RESUBMIT No Approved
BY K. Higgins DATE 3/28/2016

J.P. CARRARA & SONS INC.
Precast & Prestress Manufacturer
2464 OASE STR., MOULBURY, VERMONT 05753 Phone:(802)388-6361 Fax:(802)388-9010

J.A. McDonald, Inc.
CONTRACTOR
LYNDON CENTER, VERMONT

STATE OF VERMONT AGENCY OF TRANSPORTATION
COUNTY OF RUTLAND

TOWN OF CLARENDON
WALKER MOUNTAIN ROAD, TH #3, RURAL COLLECTOR
BRIDGE NO.: 11 PROJECT NO.: BRO 1449(4B)

PRESTRESSED NEXT BEAM
PLAN VIEWS

DATE: JAN. 8, 2016

SCALE: NOTED

CHKD: DFTM: T.D.

JOB NO: 23476-015

DWG. NO: NB1