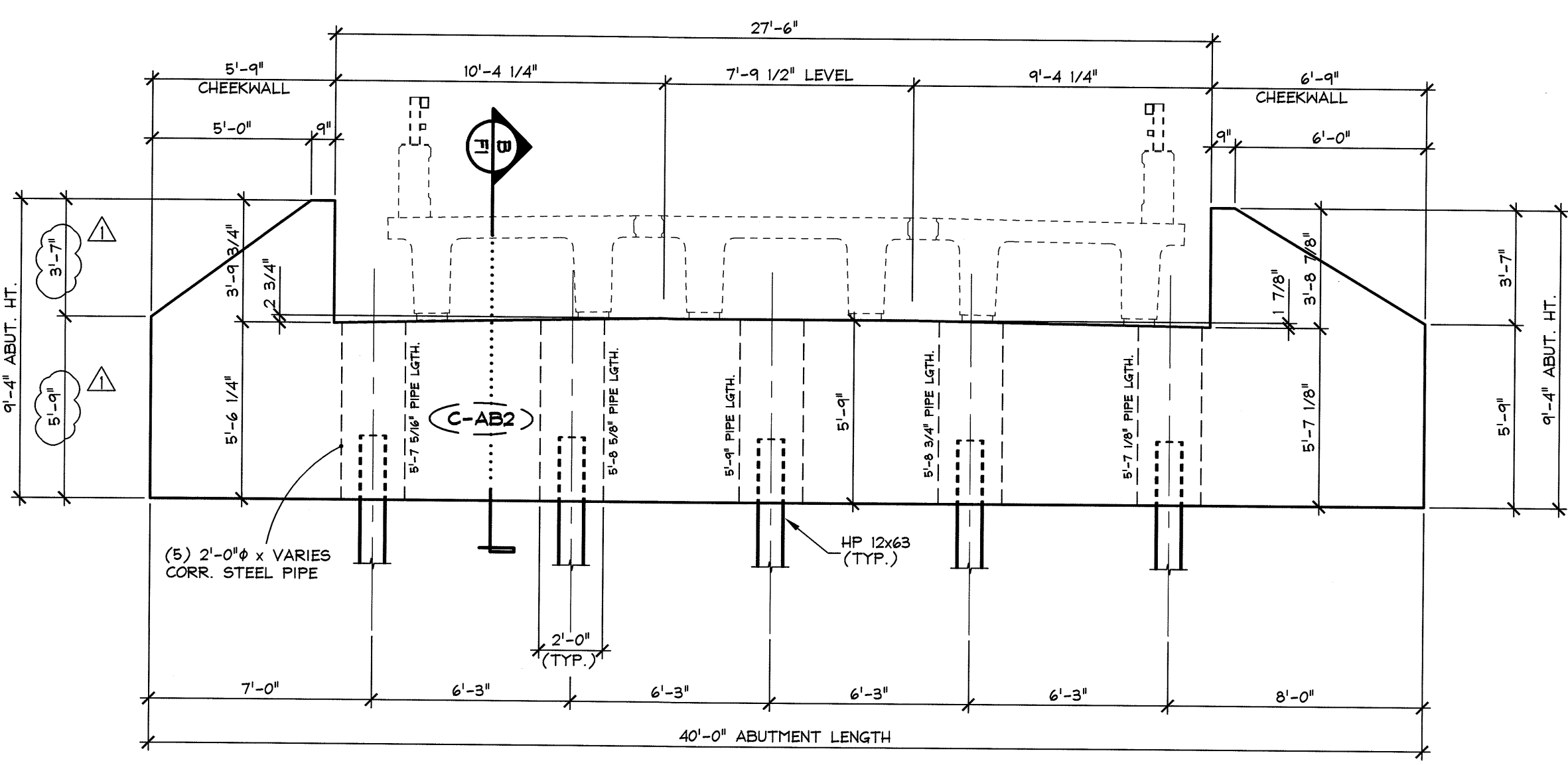
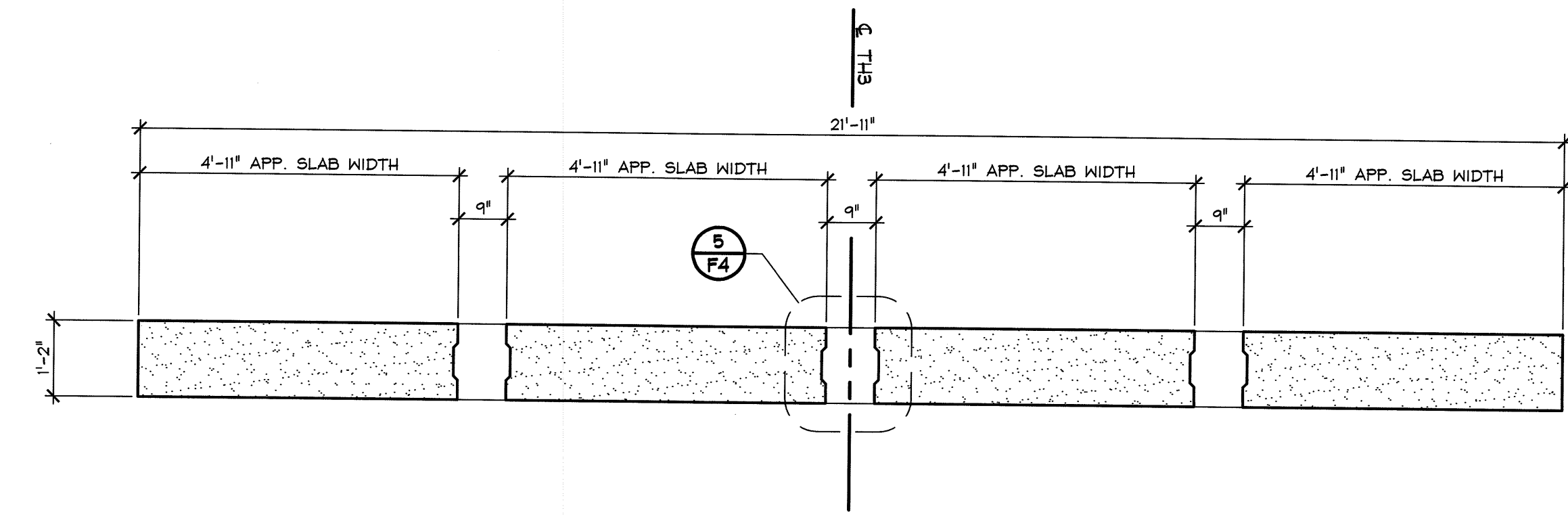


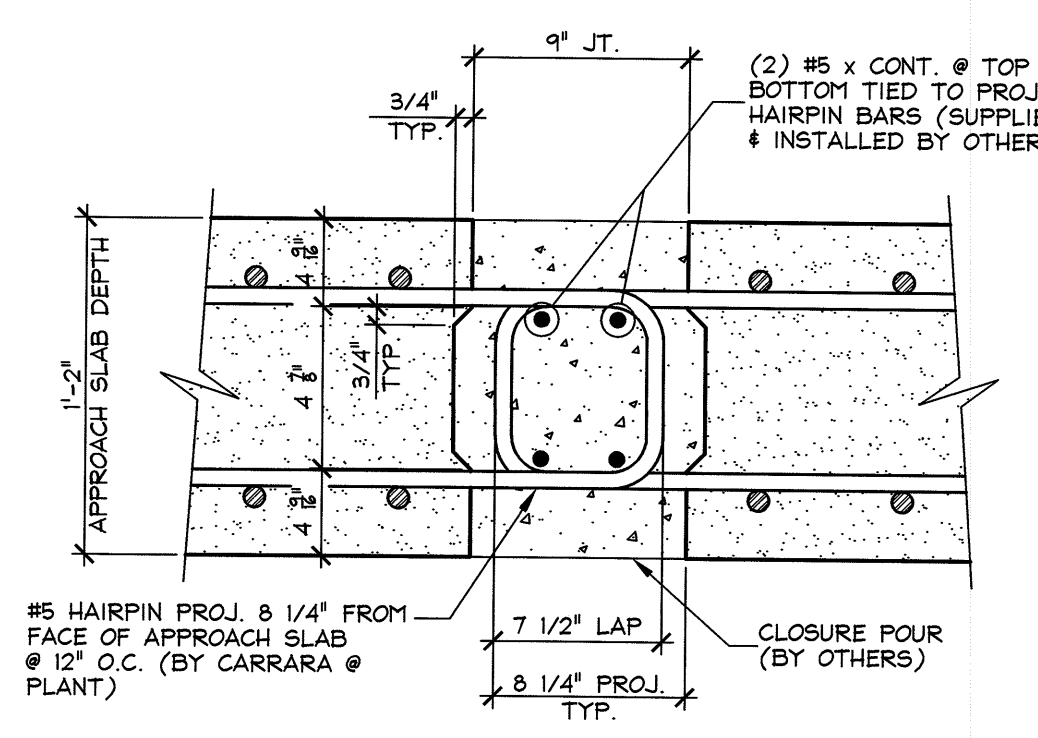
**2 PRECAST ABUTMENT #1 ELEVATION**  
 1/4" = 1'-0"



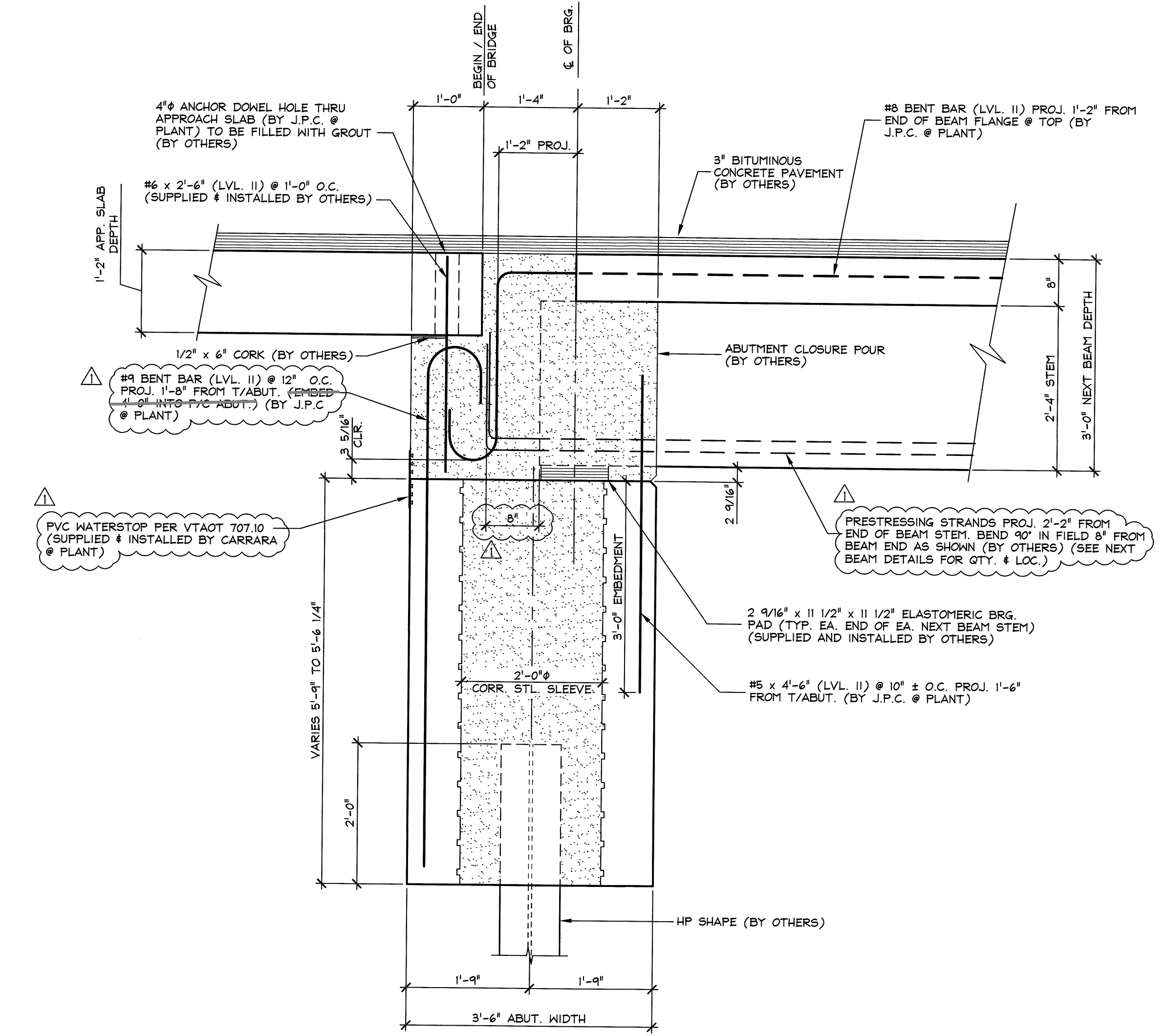
**3 PRECAST ABUTMENT #2 ELEVATION**  
 1/4" = 1'-0"



**4 SECTION AT APPROACH SLABS**  
 1/2" = 1'-0"



**5 APPROACH SLAB CLOSURE POUR**  
 1/2" = 1'-0"



**6 ABUTMENT SECTION**  
 3/4" = 1'-0"

3/1/16 REVISED AS PER ENGINEERS COM. T.D.

<b>Vermont Agency of Transportation</b> <b>RECEIVED</b> CK'D BY SC, TM OK'D BY G. Laroche March 18, 2016 RESUBMIT No Approved AsNoted BY K. Higgins DATE 3/28/2016	<b>J.P. CARRARA &amp; SONS INC.</b> Precast & Prestress Manufacturer 2464 OASE CIR., MIDDLEBURY, VERMONT 05753 Phone: (802)388-6361 Fax: (802)388-9010	<b>J.A. McDonald, Inc.</b> CONTRACTOR LYNDON CENTER, VERMONT
	<b>STATE OF VERMONT AGENCY OF TRANSPORTATION</b> COUNTY OF RUTLAND TOWN OF CLARENDON WALKER MOUNTAIN ROAD, TH #3, RURAL COLLECTOR BRIDGE NO.: 11 PROJECT NO.: BRO 1443(4B)	
DATE: JAN. 8, 2016 SCALE: NOTED CHKD: DFTM: T.D. JOB NO: 23476-015	<b>PRECAST ABUTMENT ELEVATIONS &amp; DETAILS</b> DWG. NO: <b>F3</b>	