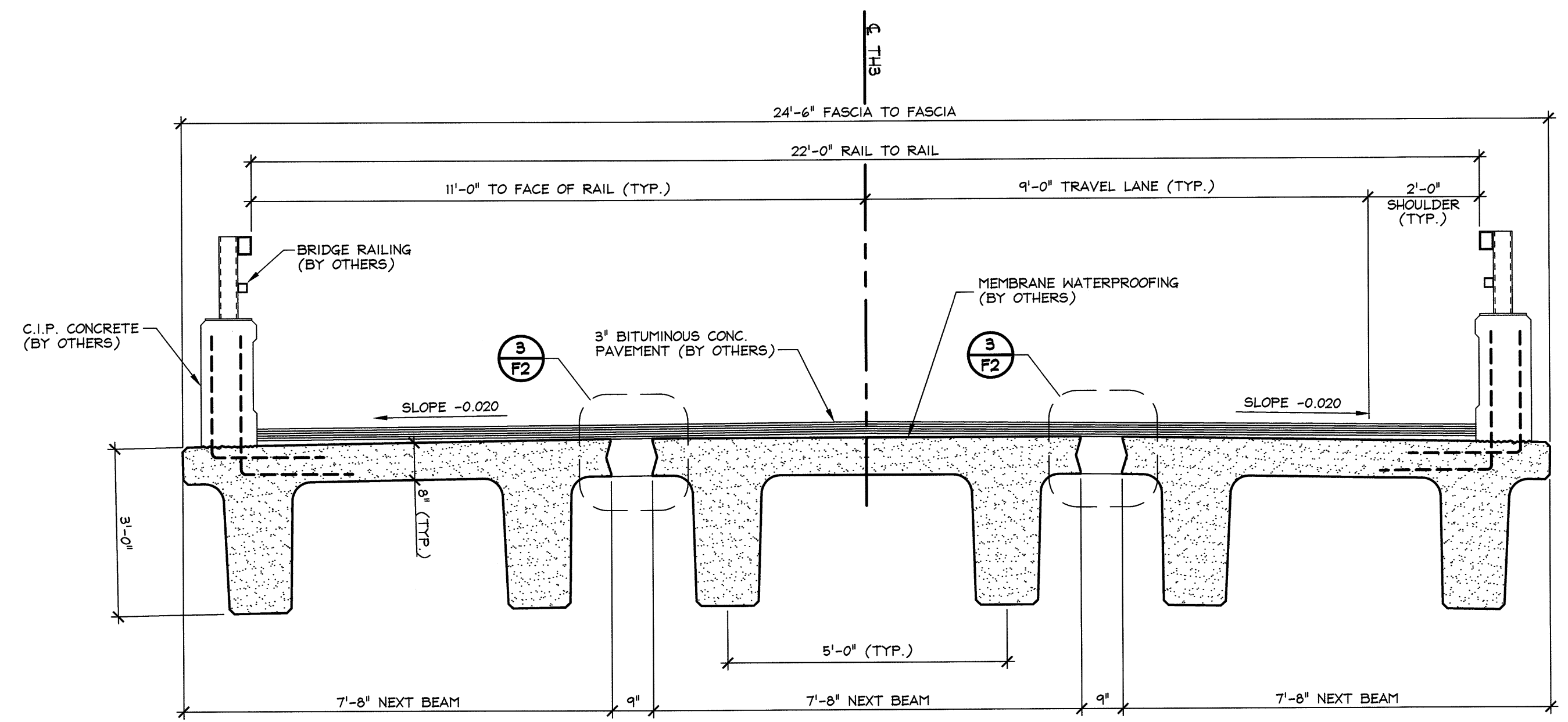
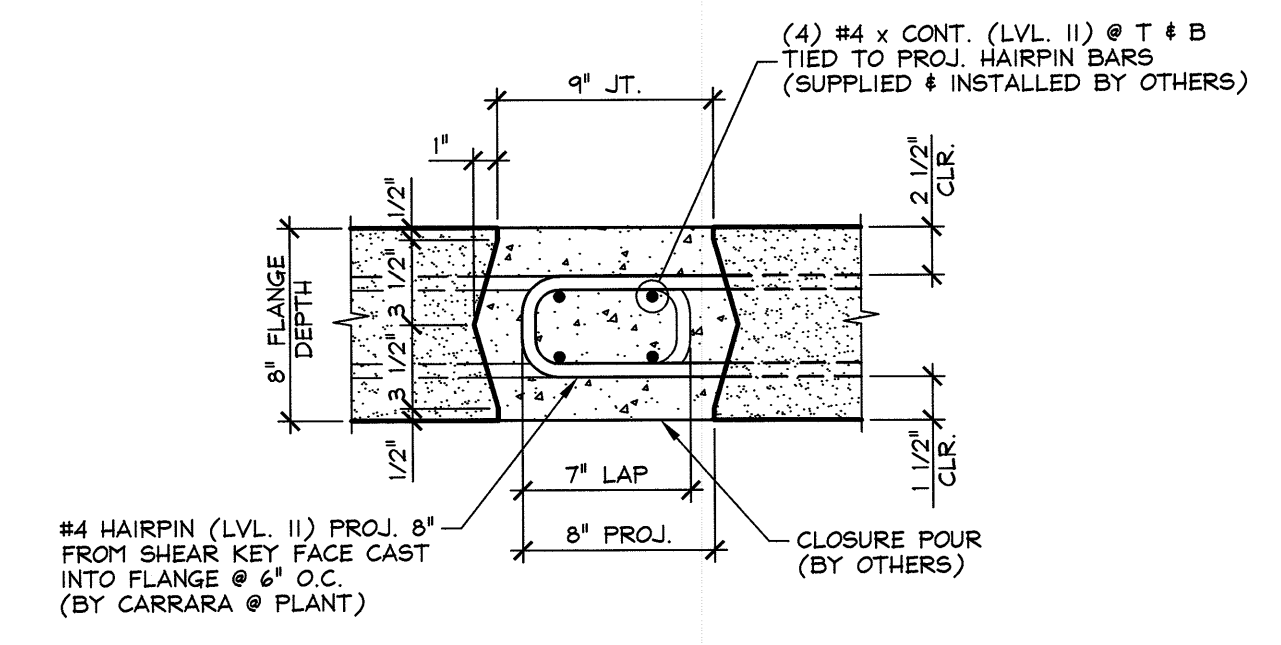


1 PRESTRESSED NEXT BEAM & APPROACH SLAB LAYOUT
 1/4" = 1'-0"



2 TRANSVERSE SECTION THRU NEXT BEAMS
 1/2" = 1'-0"



3 NEXT BEAM CLOSURE POUR
 1/2" = 1'-0"

3/1/16 REVISED AS PER ENGINEERS COMM. T.D.

APPROVAL STAMP:

Vermont Agency of Transportation
RECEIVED
 CK'D BY SC, TM OK'D BY G. Laroche
 March 18, 2016
 RESUBMIT No Approved
 BY K. Higgins DATE 3/28/2016

J.P. CARRARA & SONS INC. Precast & Prestress Manufacturer <small>2464 CASE STR., MIDDLEBURY, VERMONT 05753 Phone: (802)388-6361 Fax: (802)388-9010</small>		J.A. McDonald, Inc. CONTRACTOR LYNDON CENTER, VERMONT	
STATE OF VERMONT AGENCY OF TRANSPORTATION COUNTY OF RUTLAND		DATE: JAN. 8, 2016 SCALE: NOTED	
TOWN OF CLARENDON WALKER MOUNTAIN ROAD, TH #3, RURAL COLLECTOR BRIDGE NO.: 11 PROJECT NO.: BRO 1443(4B)		CHKD: B.C. DFTM: T.D. JOB NO: 23476-015	
PRECAST NEXT BEAM LAYOUT		DWG. NO: F2	