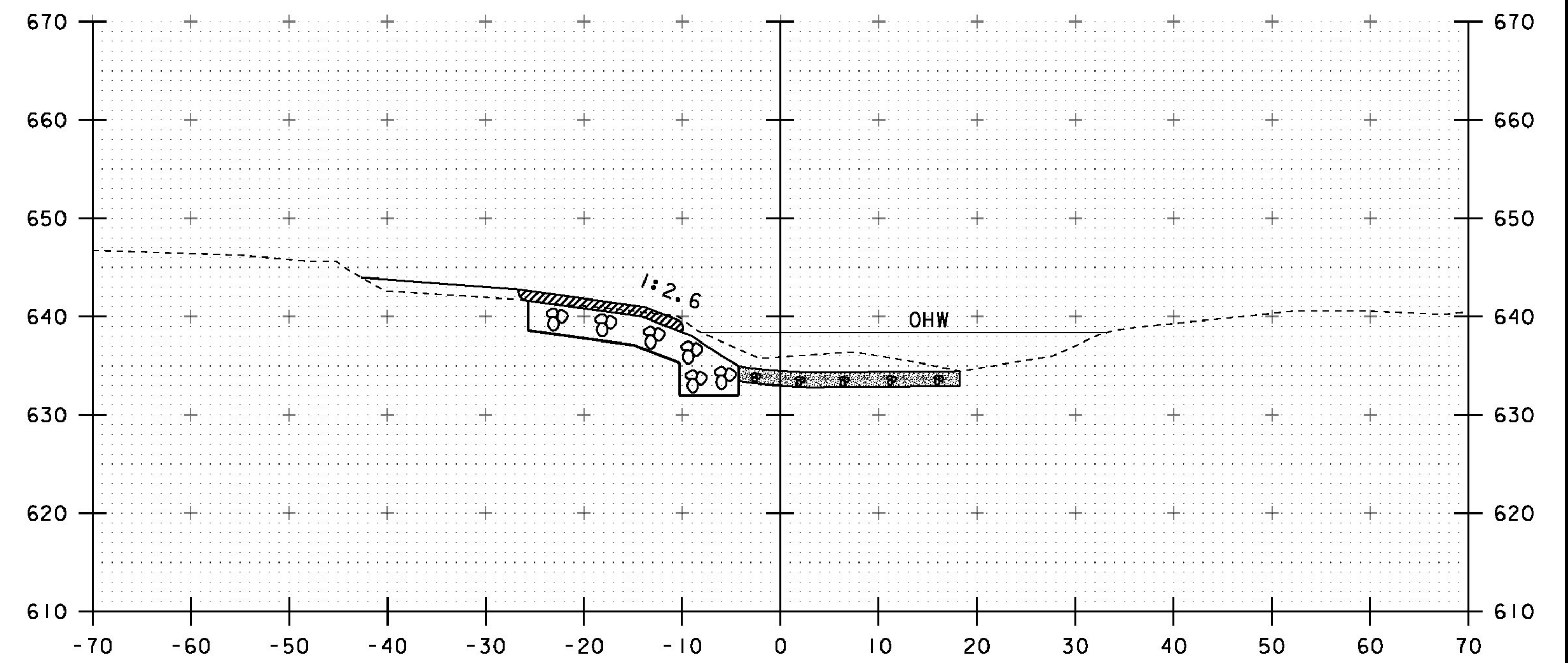


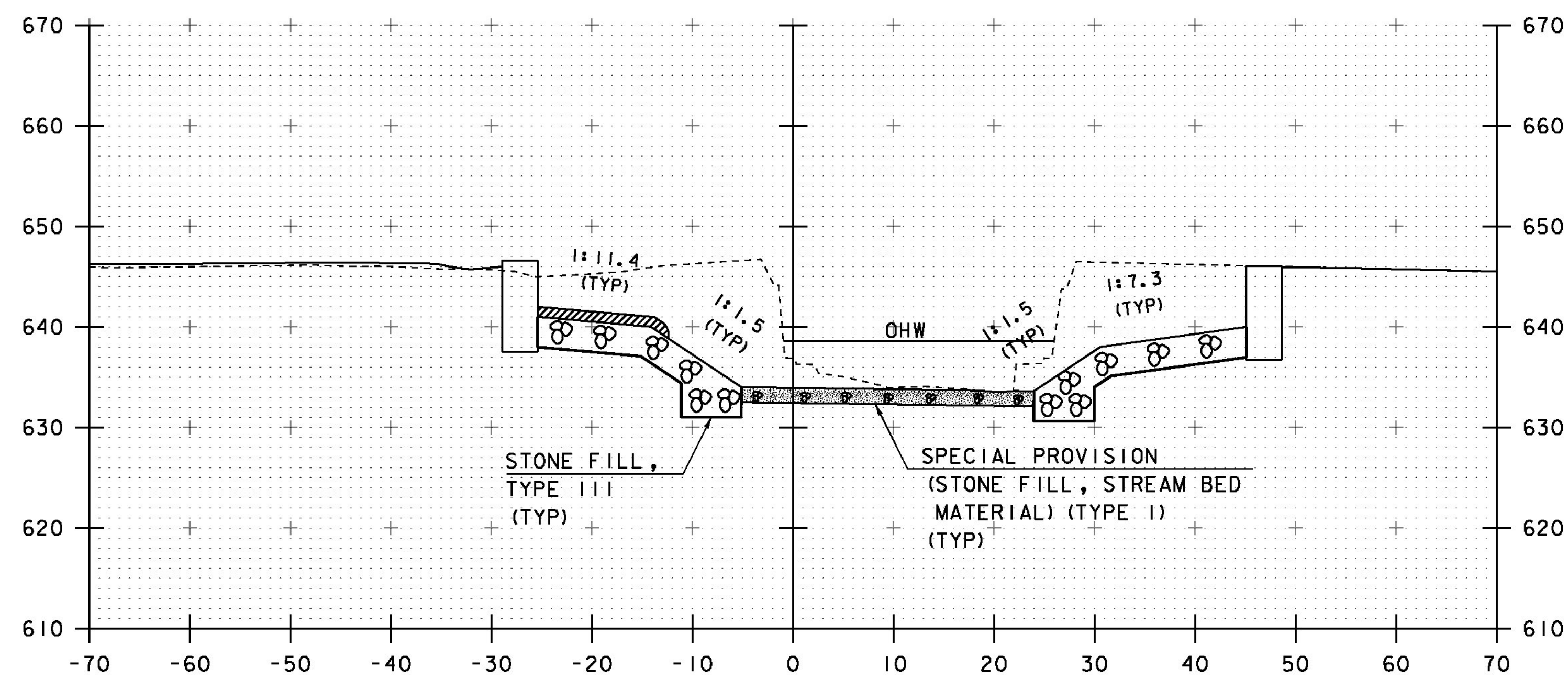
51+20

STA 51+18.49 RT
BEGIN GRUBBING MATERIAL

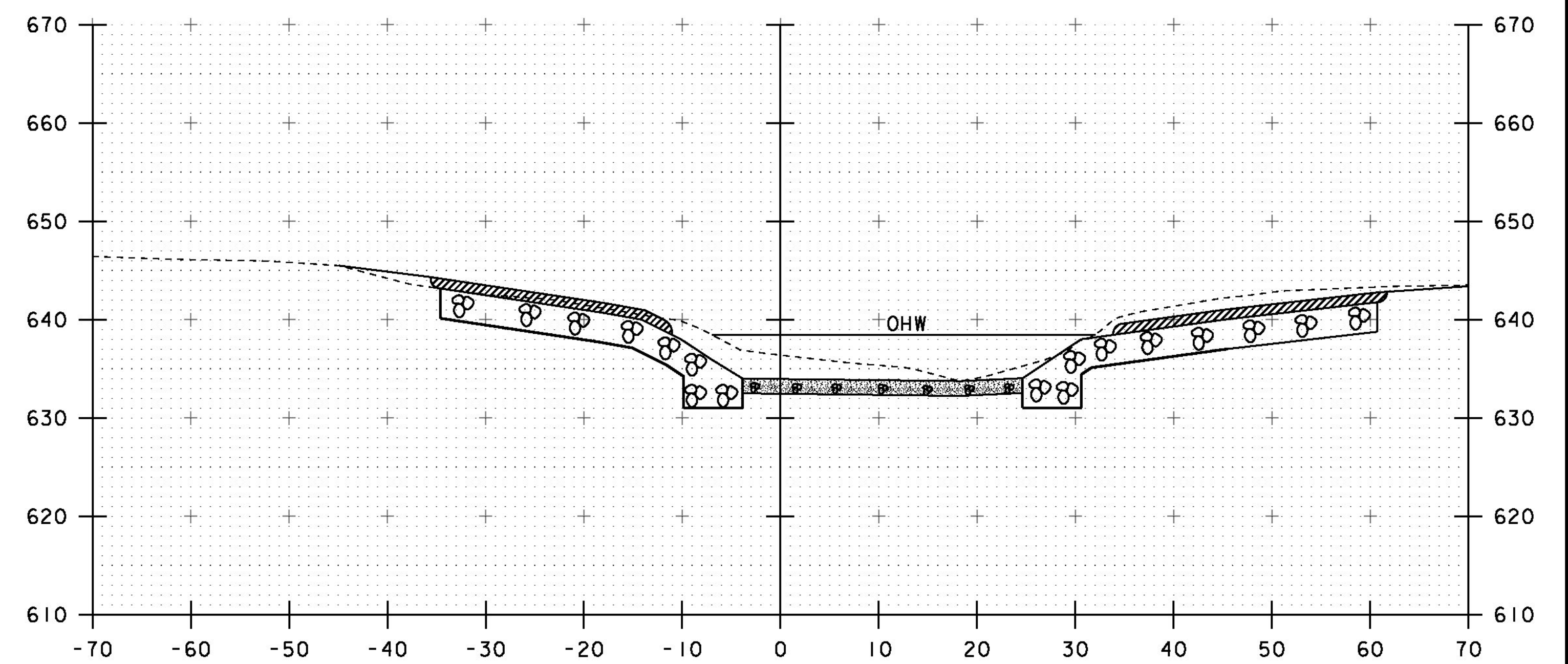


51+40

STA 51+39.73 RT
END UNCLASSIFIED CHANNEL EXCAVATION
GEOTEXTILE UNDER STONE FILL
STONE FILL, TYPE III
GRUBBING MATERIAL



51+10



51+30

STA. 51+10 TO STA. 51+40

PROJECT NAME: CLARENDON	PLOT DATE: 10-SEP-2015
PROJECT NUMBER: BRO 1443(48)	DRAWN BY: J. GRIGAS
FILE NAME: s12j160xs.dgn	CHECKED BY: G. LAROCHE
PROJECT LEADER: K. HIGGINS	SHEET 56 OF 59
DESIGNED BY: J. GRIGAS	
CHANNEL CROSS SECTIONS 3	