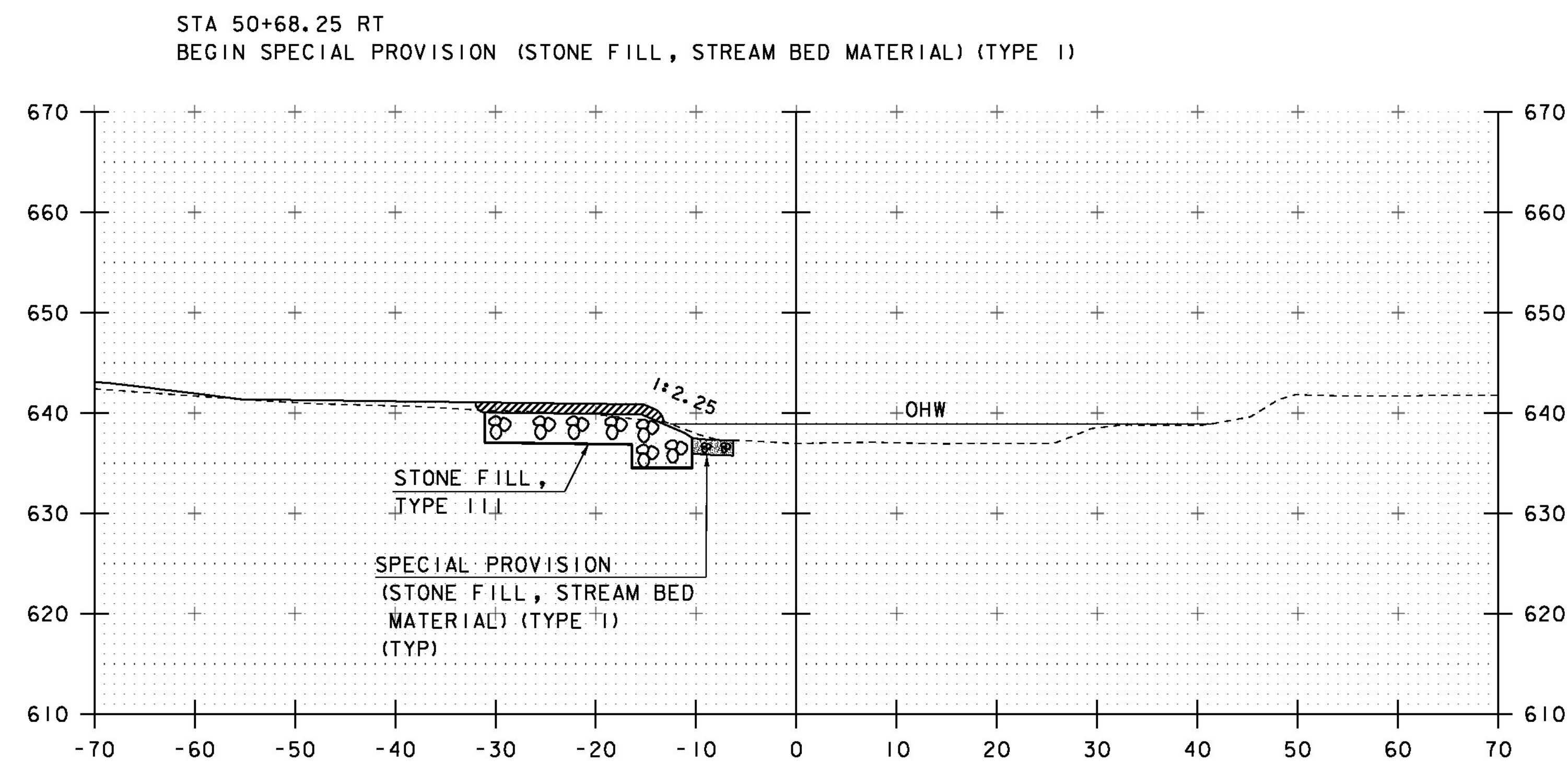
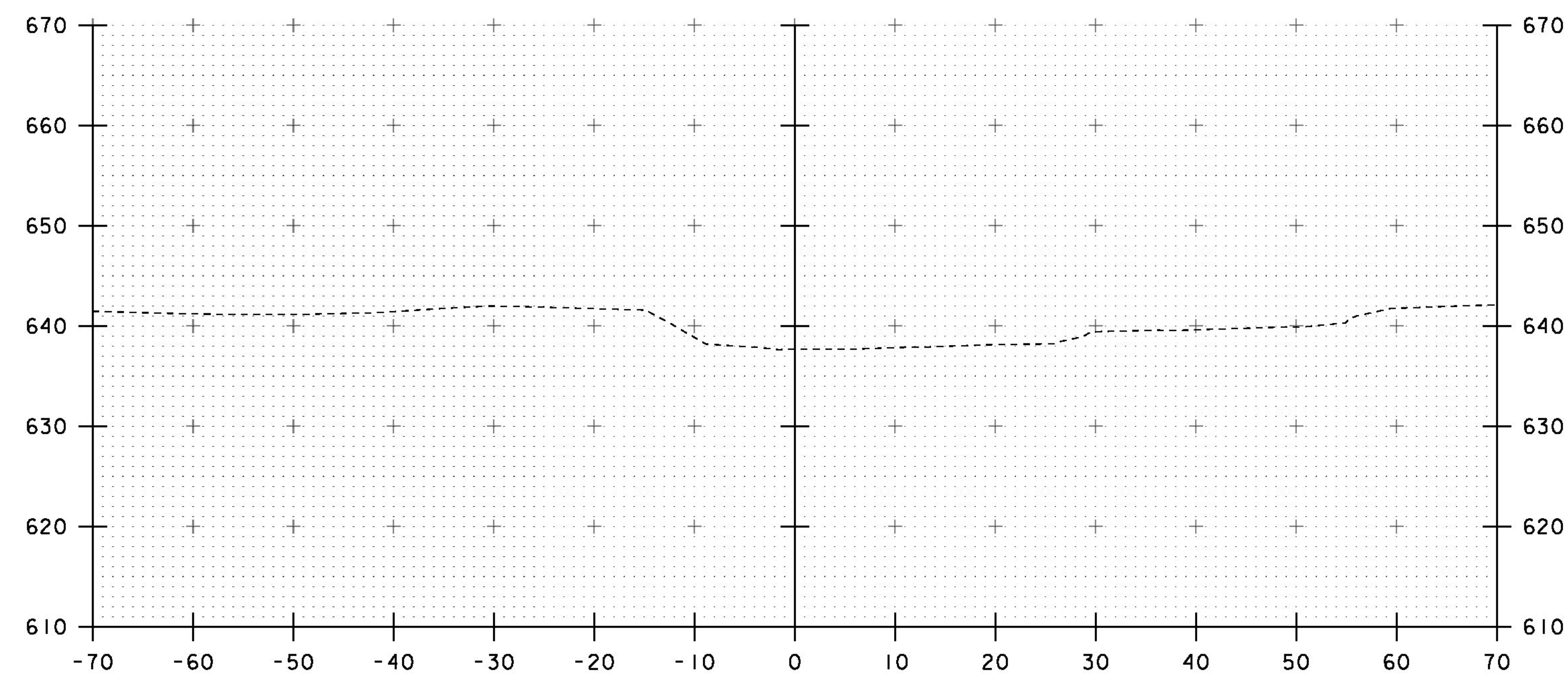


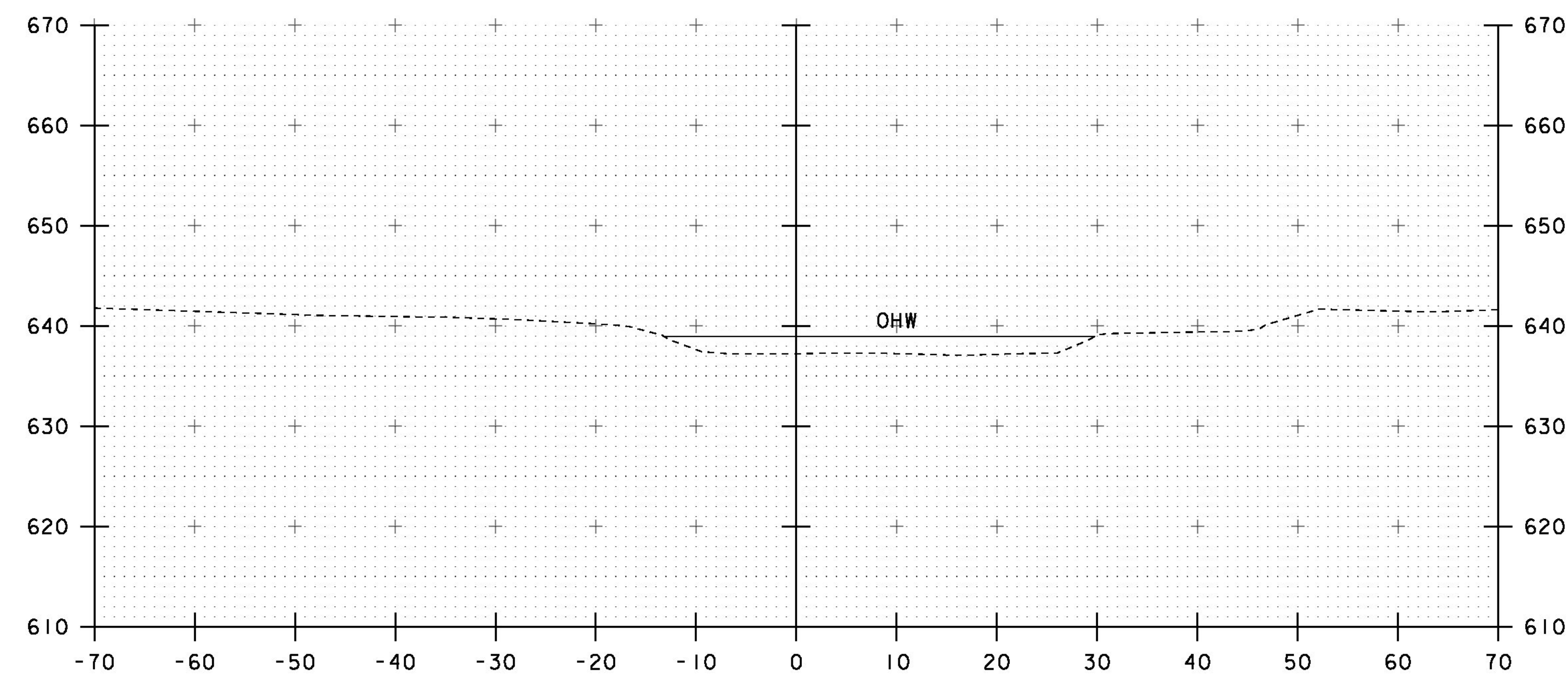
50+25



STA 50+50.00 LT
BEGIN UNCLASSIFIED CHANNEL EXCAVATION 50+60
GEOTEXTILE UNDER STONE FILL
STONE FILL, TYPE III
GRUBBING MATERIAL
SPECIAL PROVISION (STONE FILL, STREAM BED MATERIAL) (TYPE I)



50+00



50+50

PROJECT NAME:	CLARENDON
PROJECT NUMBER:	BRO 1443(48)
FILE NAME:	st2j160xs.dgn
PROJECT LEADER:	K. HIGGINS
DESIGNED BY:	J. GRIGAS
CHECKED BY:	G. LAROCHE
CHANNEL CROSS SECTIONS:	1
PLOT DATE:	10-SEP-2015
DRAWN BY:	J. GRIGAS
CHECKED BY:	G. LAROCHE
SHEET:	54 OF 59

STA. 50+00 TO STA. 50+60