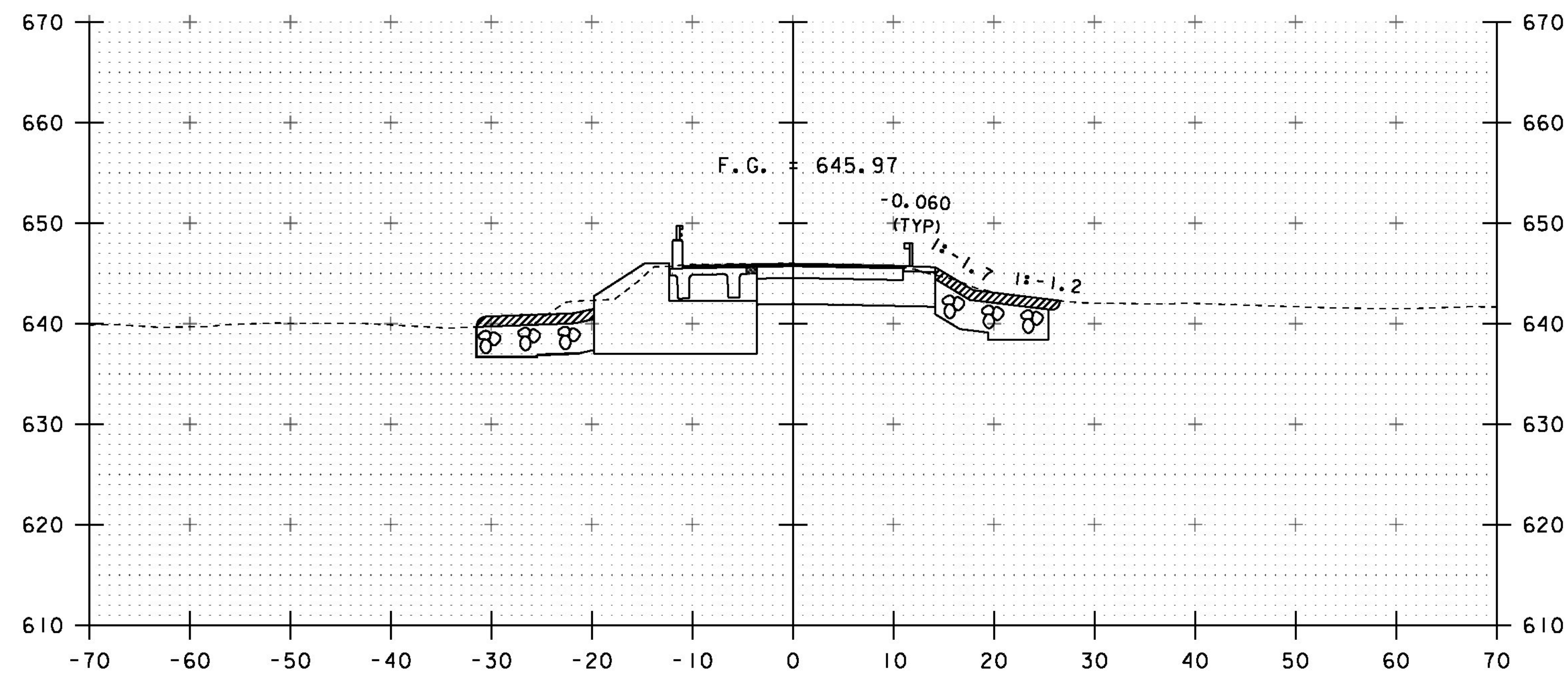
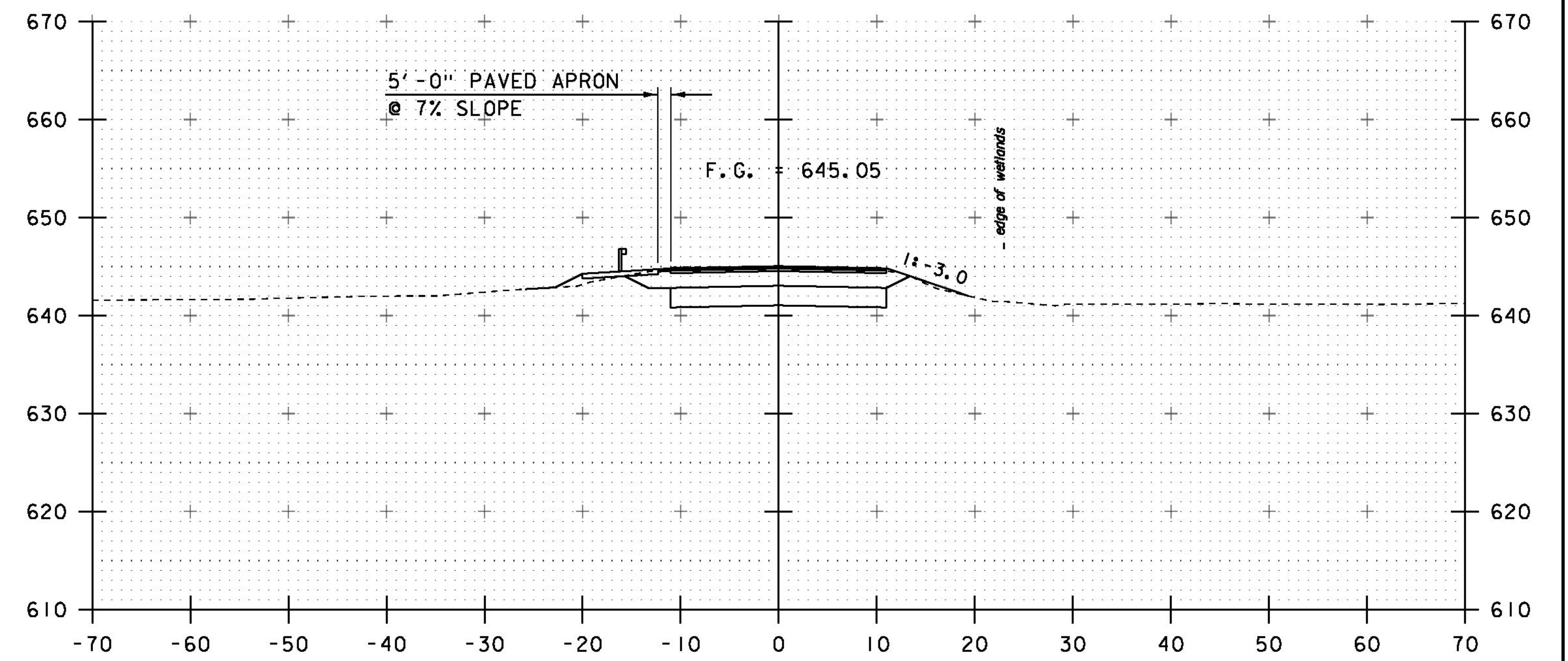


NEXT BEAM ALTERNATE SHOWN. PBU ALTERNATE SIMILAR.

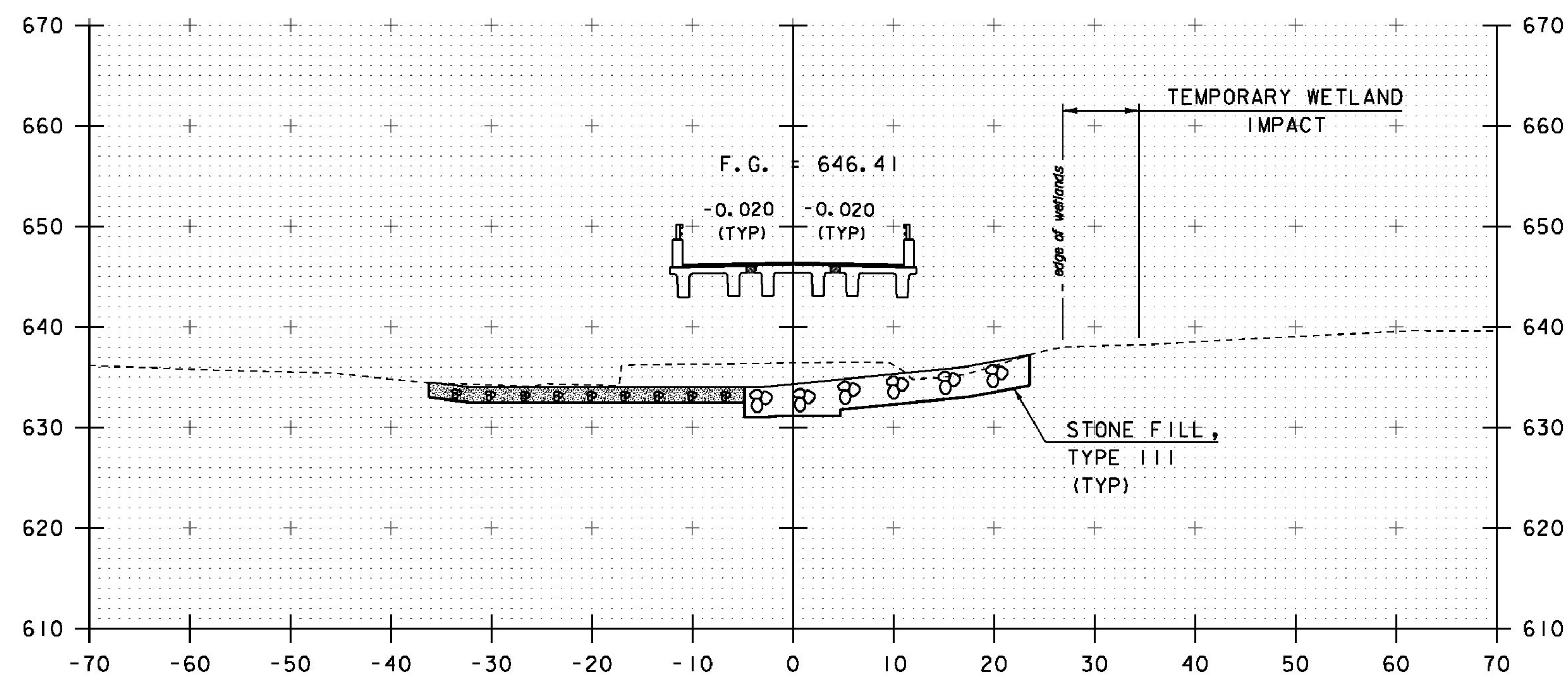


12+25
END BRIDGE 12+35.35

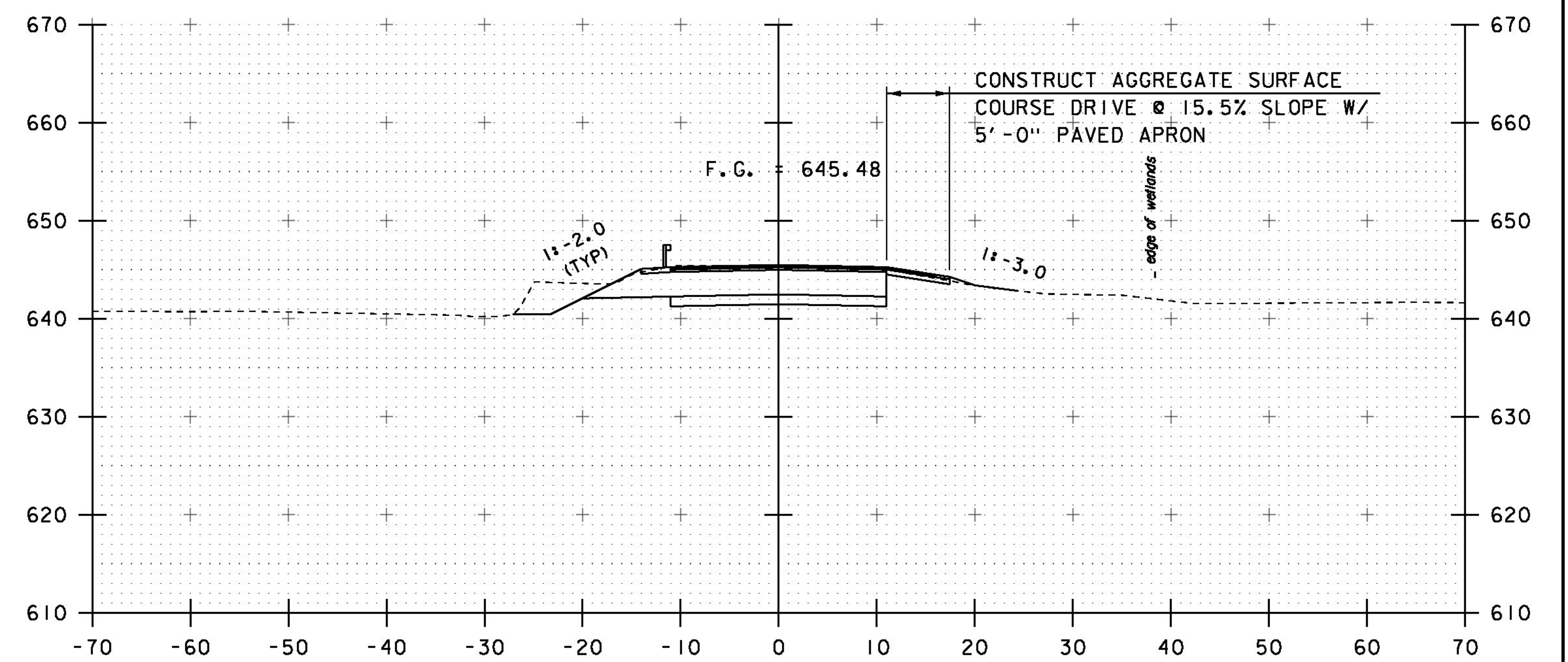


12+75
END PROJECT

NEXT BEAM ALTERNATE SHOWN. PBU ALTERNATE SIMILAR.



12+00



12+50

STA. 12+00 TO STA. 12+75

PROJECT NAME:	CLARENDON	PLOT DATE:	08-OCT-2015
PROJECT NUMBER:	BRO 1443(48)	DRAWN BY:	J. GRIGAS
FILE NAME:	st2j160xs.dgn	CHECKED BY:	G. LAROCHE
PROJECT LEADER:	K. HIGGINS	DESIGNED BY:	J. GRIGAS
DESIGNED BY:	J. GRIGAS	MAINLINE CROSS SECTIONS	3
			SHEET 52 OF 59