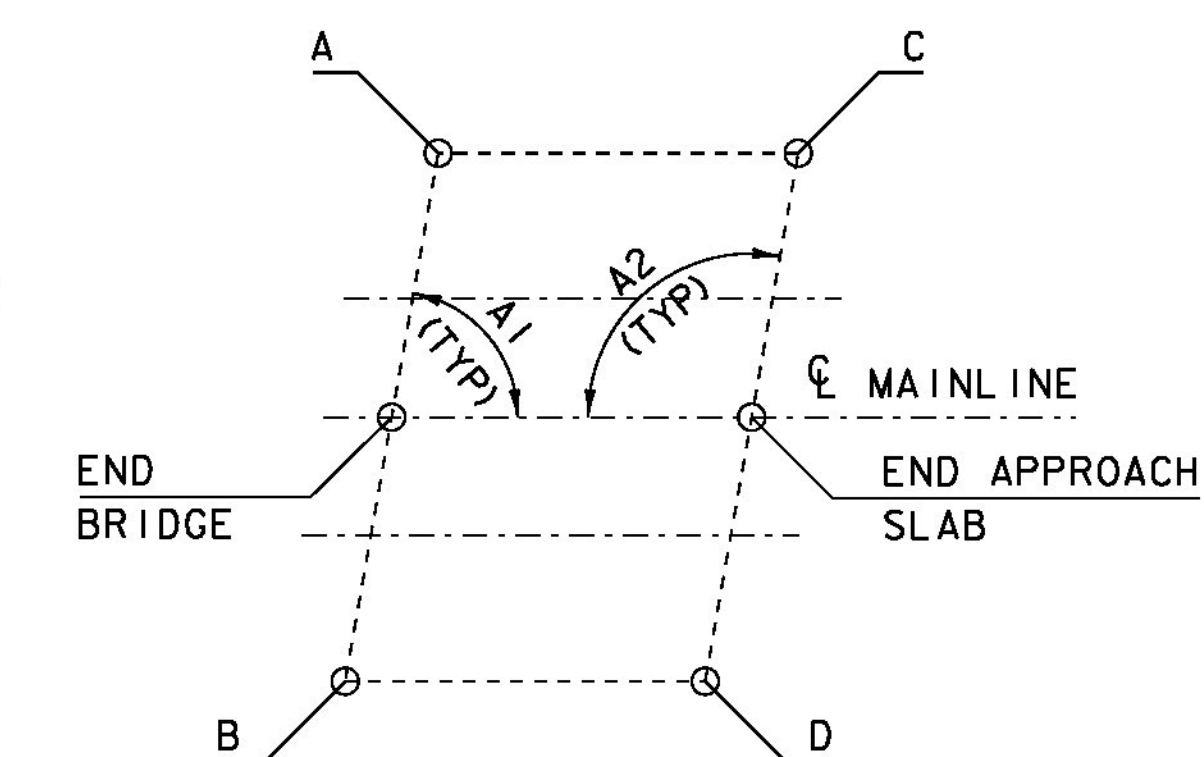


**APPROACH SLAB #1 PLAN VIEW**

SCALE 1/4" = 1'-0"

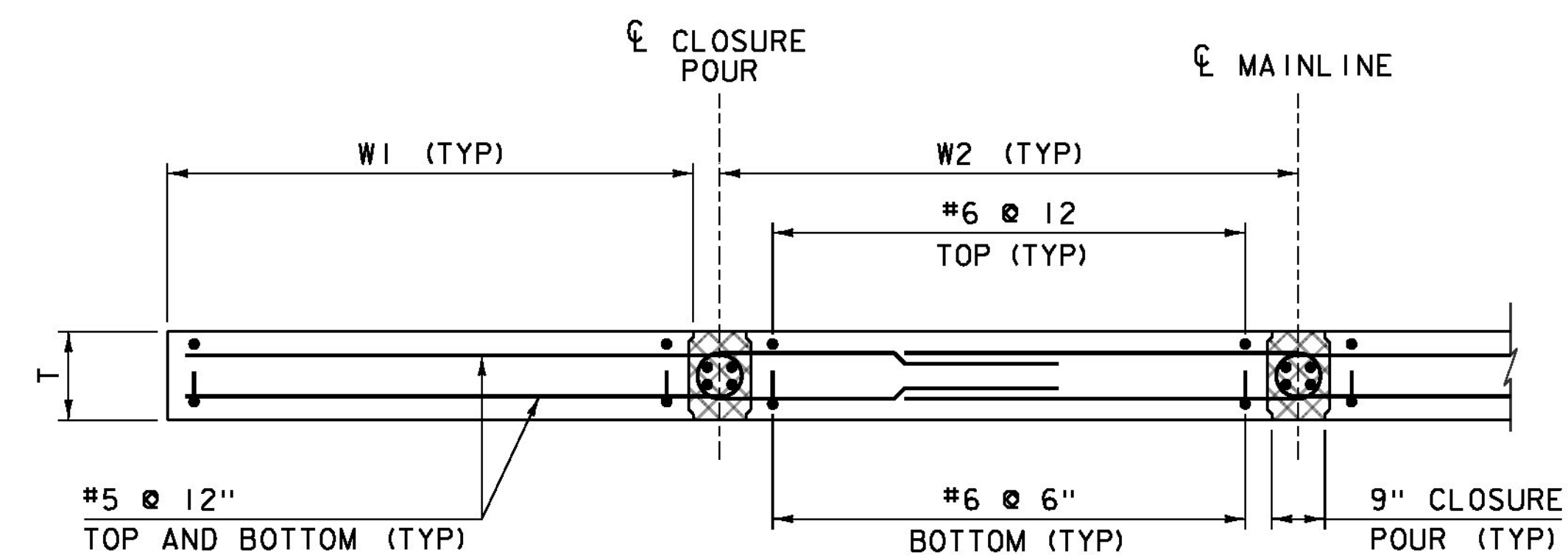
**\*NOTES:**

1. LIFTING POINTS SHALL BE DESIGNED BY FABRICATOR AND SUBMITTED WITH CALCULATIONS.
2. REINFORCING STEEL FOR APPROACH SLAB #1 SHOWN, APPROACH SLAB #2 SIMILAR.



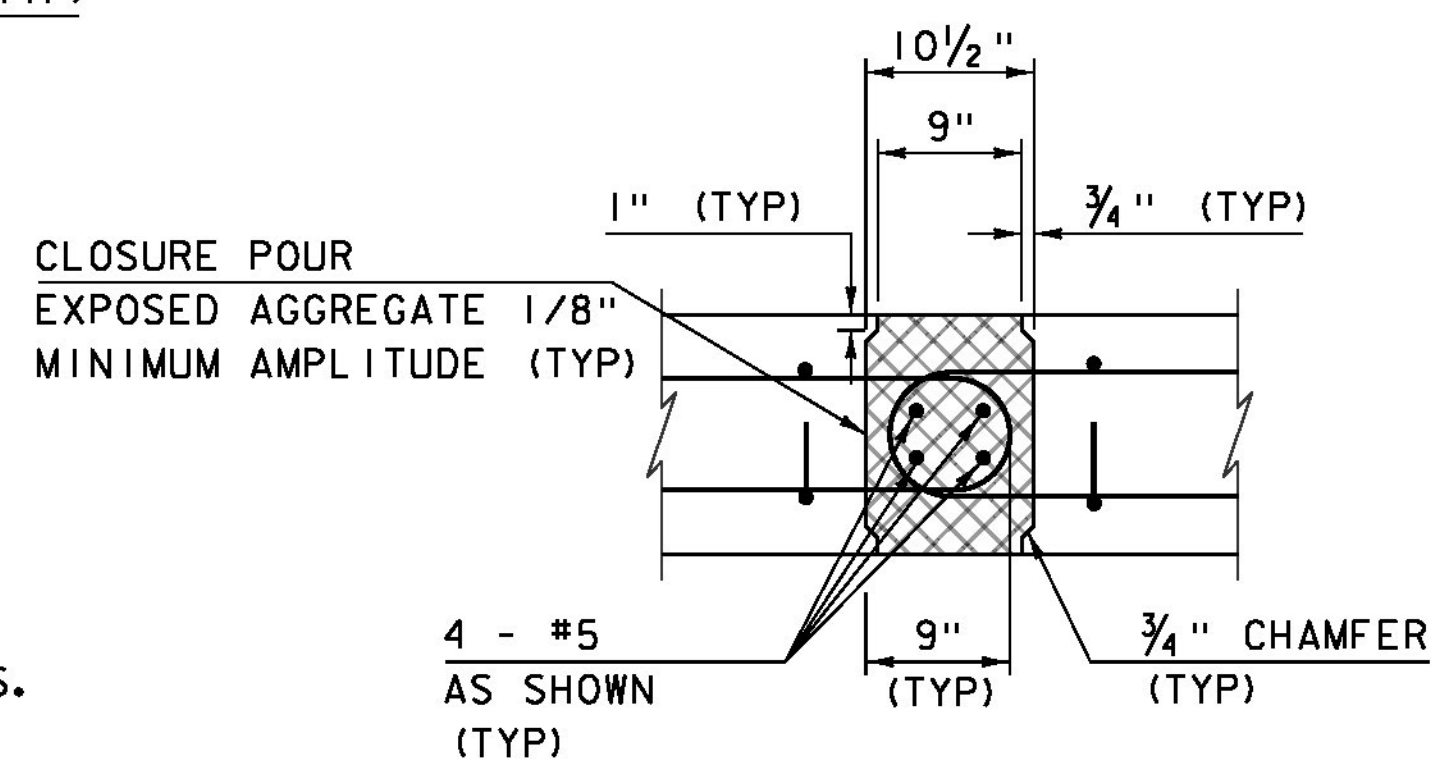
**APPROACH SLAB #2 PLAN VIEW**

NOT TO SCALE



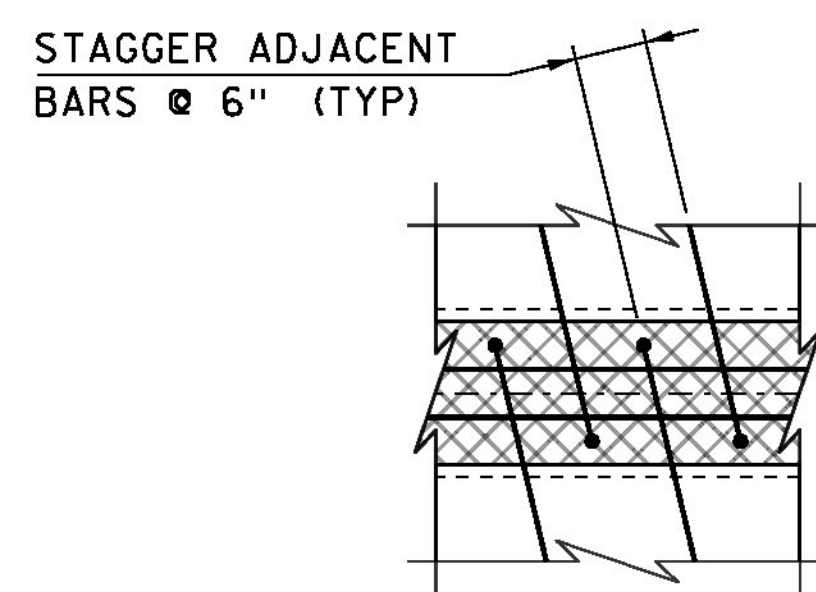
**SECTION A-A**

SCALE 1/2" = 1'-0"



**CONNECTION DETAIL SECTION**

SCALE 1" = 1'-0"



**CONNECTION DETAIL PLAN**

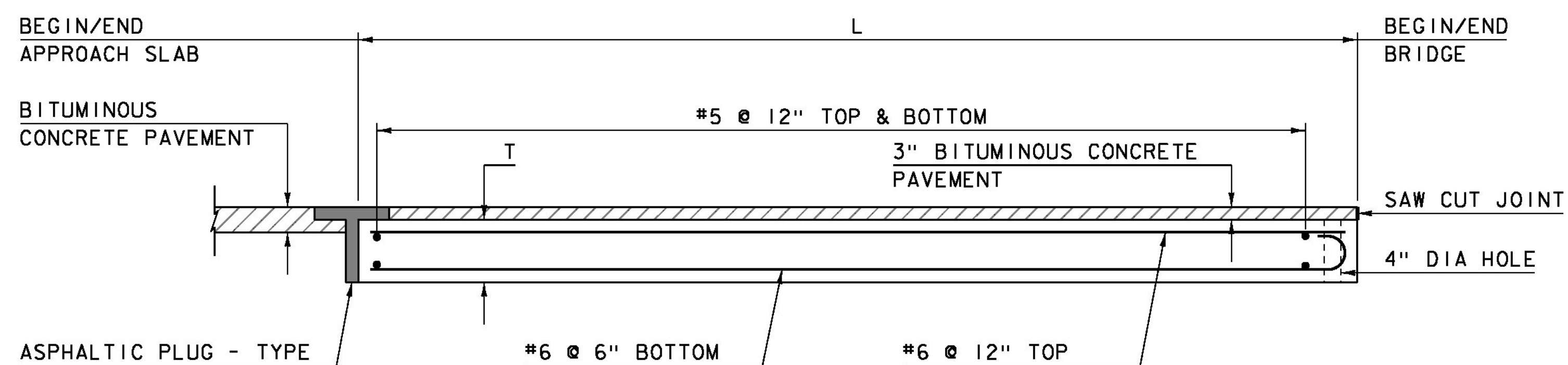
SCALE 1" = 1'-0"

APPROACH SLAB #1			
	STATION	OFFSET	ELEVATION
1A	11+33.59	-10' - 11 1/2"	646.36
BEGIN AS #1	11+31.65	℄	646.57
1B	11+29.71	10' - 11 1/2"	646.35
1C	11+48.59	-10' - 11 1/2"	646.36
END AS #1	11+46.65	℄	646.58
1D	11+44.71	10' - 11 1/2"	646.36
APPROACH SLAB #2			
	STATION	OFFSET	ELEVATION
2A	12+25.29	-10' - 11 1/2"	645.50
BEGIN AS #2	12+23.35	℄	645.76
2B	12+21.41	10' - 11 1/2"	645.57
2C	12+40.29	-10' - 11 1/2"	645.20
END AS #2	12+38.35	℄	645.45
2D	12+36.41	10' - 11 1/2"	645.27

**APPROACH SLAB ELEVATIONS**

ALL ELEVATIONS ARE TOP OF SLAB

SPECIAL PROVISION (HIGH PERFORMANCE CONCRETE, RAPID SET)



**APPROACH SLAB ELEVATION VIEW**

SCALE 1/2" = 1'-0"

T	1'-2"	APPROACH SLAB #1	A1	80°
L	15'-0"		A2	100°
W1	4'-11"	APPROACH SLAB #2	A1	80°
W2	5'-8"		A2	100°

**APPROACH SLAB DIMENSIONS**

**NOTE:**

- NF = NEAR FACE
- FF = FAR FACE
- EF = EACH FACE
- 3" CLEAR, UNLESS OTHERWISE SPECIFIED ON THE PLANS.
- 2'-7" BAR LAP UNLESS OTHERWISE SPECIFIED ON THE PLANS.

PROJECT NAME: CLARENDON  
PROJECT NUMBER: BRO 1443(48)

FILE NAME: st2j160appslab.dgn  
PROJECT LEADER: K. HIGGINS  
DESIGNED BY: J. GRIGAS  
APPROACH SLAB DETAILS

PLOT DATE: 08-OCT-2015  
DRAWN BY: G. DARGAN  
CHECKED BY: J. GRIGAS  
SHEET 45 OF 59