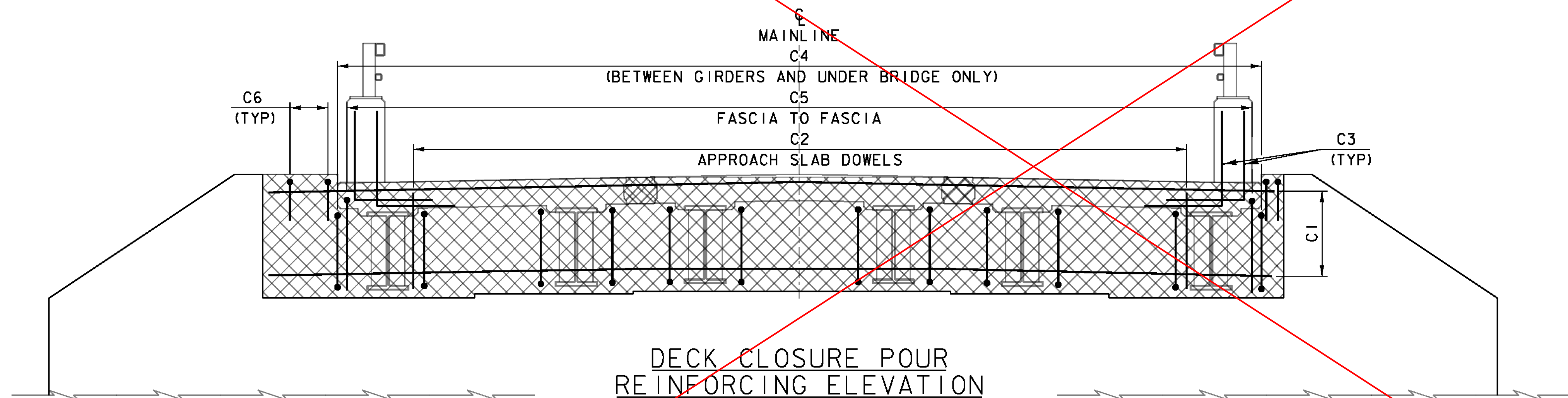
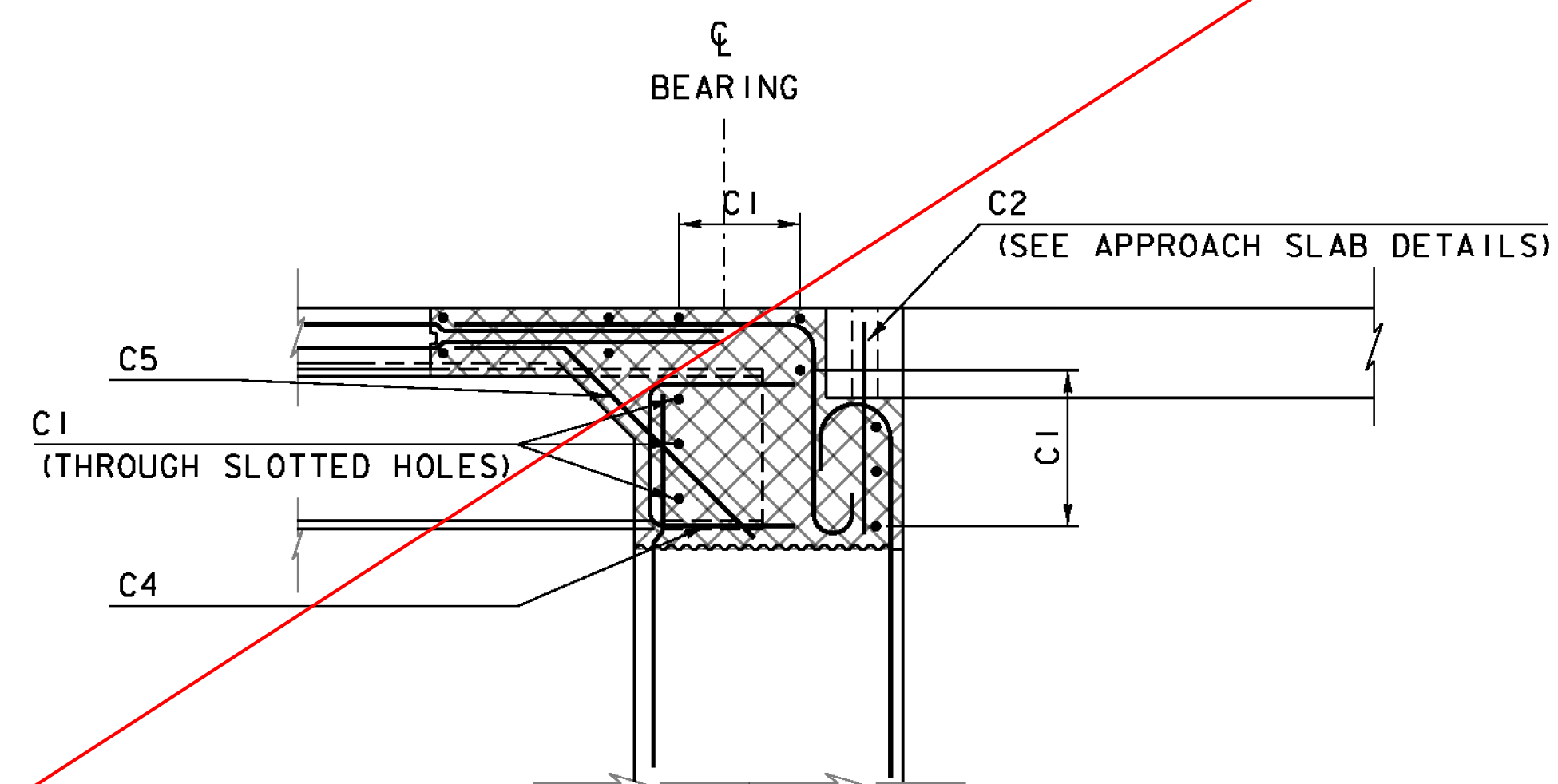


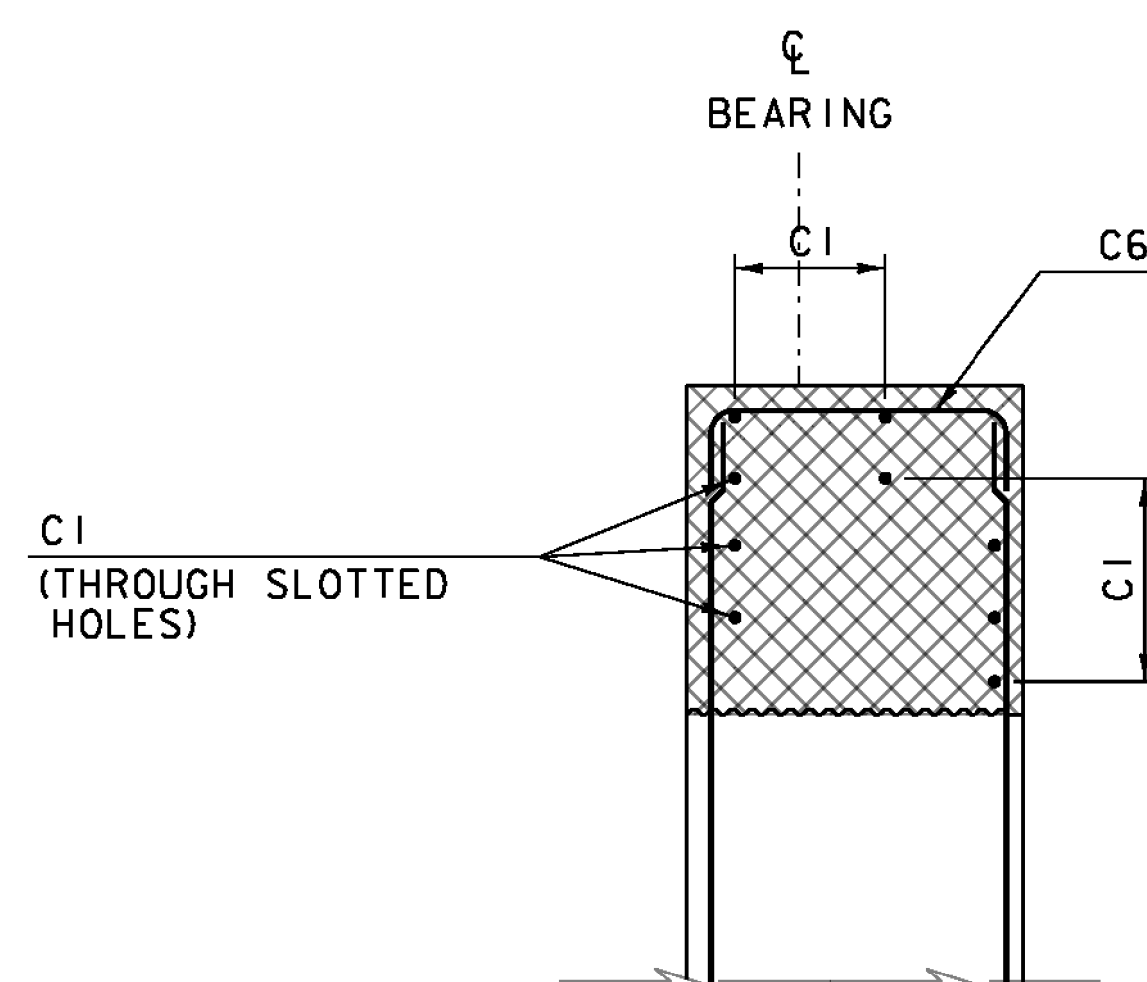
DECK CLOSURE POUR
REINFORCING PLAN
SCALE 1/2" = 1'-0



DECK CLOSURE POUR
REINFORCING ELEVATION
SCALE 1/2" = 1'-0



ABUTMENT ELEVATION AT BRIDGE
SCALE 1/2" = 1'-0



ABUTMENT ELEVATION AT CHEEKWALL
SCALE 1/2" = 1'-0

CLOSURE POUR REINFORCING

BAR	SIZE	SPACING	FACE	TYPE
C1	5	10"	AS SHOWN	STR
C2	6	12"	---	STR
C3	4	8"	---	20
C4	5	10"	---	S10
C5	5	10"	---	19
C6	5	10"	---	S10

NOTES:

1. ABUTMENT 1 SHOWN, ABUTMENT 2 SIMILAR.
2. SEE PBU DETAILS 2 FOR ADDITIONAL REINFORCING IN THE CLOSURE POUR.

NOTE:

NF = NEAR FACE
FF = FAR FACE
EF = EACH FACE
3" CLEAR, UNLESS OTHERWISE SPECIFIED ON THE PLANS.
2'-7" BAR LAP UNLESS OTHERWISE SPECIFIED ON THE PLANS.

PROJECT NAME: CLARENDON
PROJECT NUMBER: BRO 1443(48)

FILE NAME: s12j160sub2.dgn
PROJECT LEADER: K. HIGGINS
DESIGNED BY: J. GRIGAS
PBU CLOSURE POUR

PLOT DATE: 10-SEP-2015
DRAWN BY: J. GRIGAS
CHECKED BY: G. LAROCHE
SHEET 43 OF 59