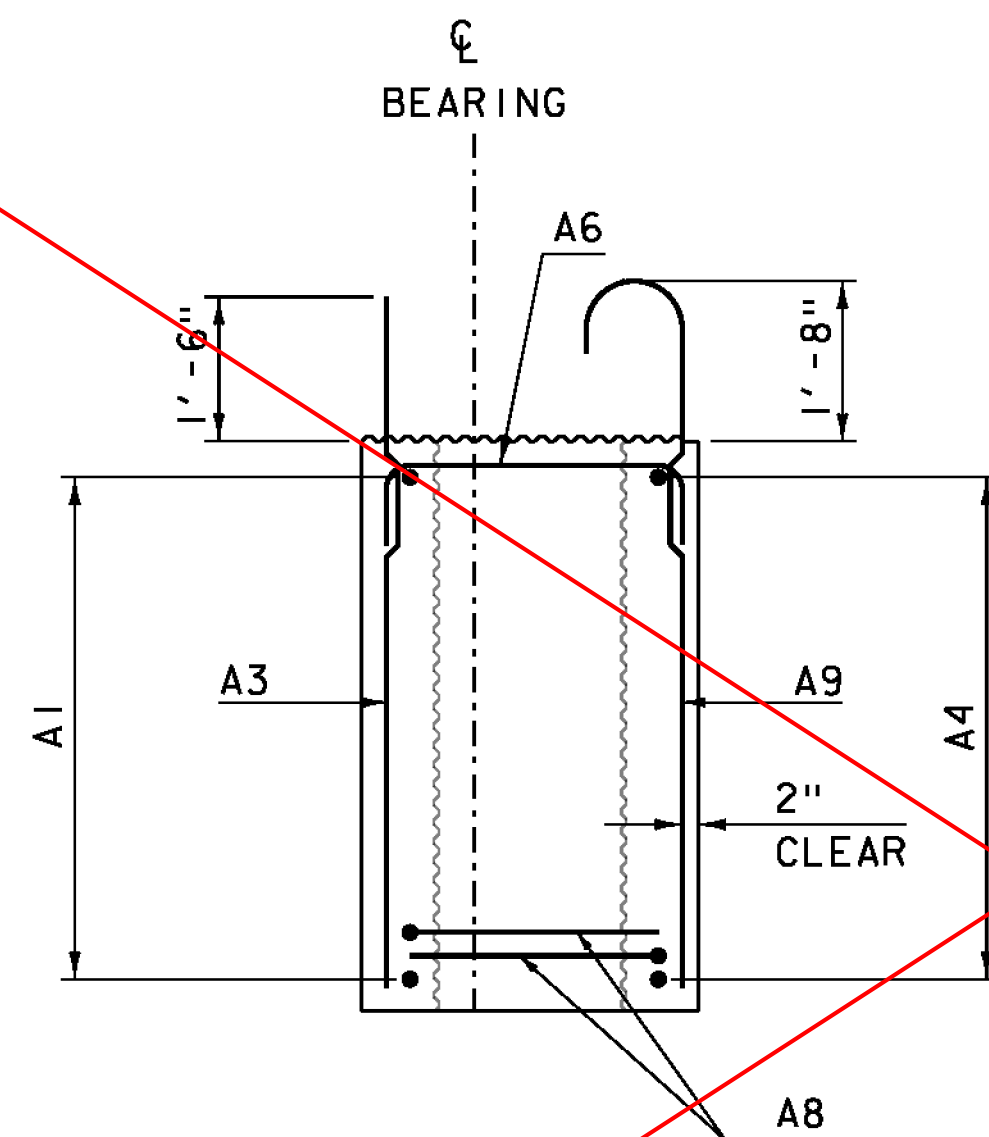
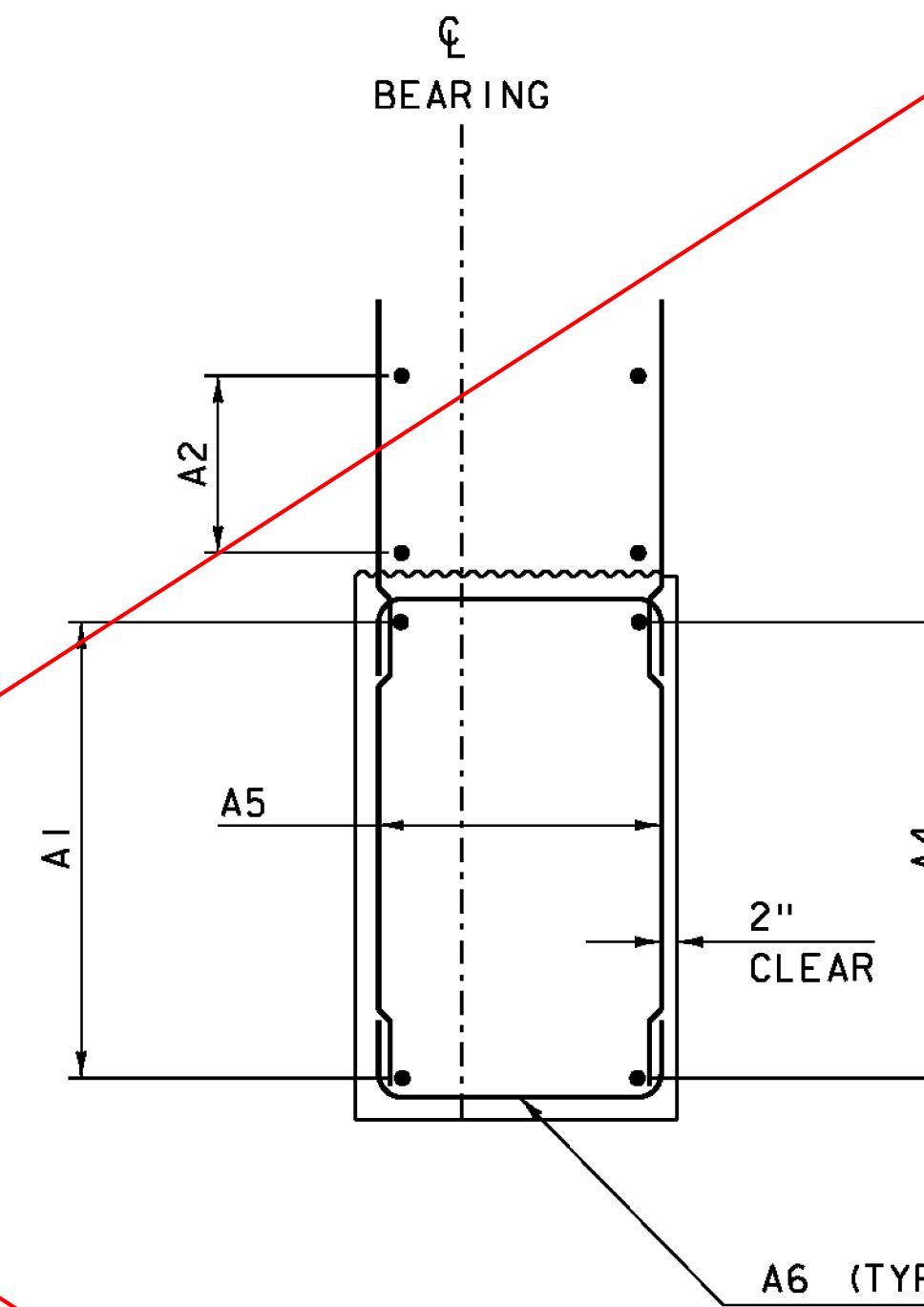


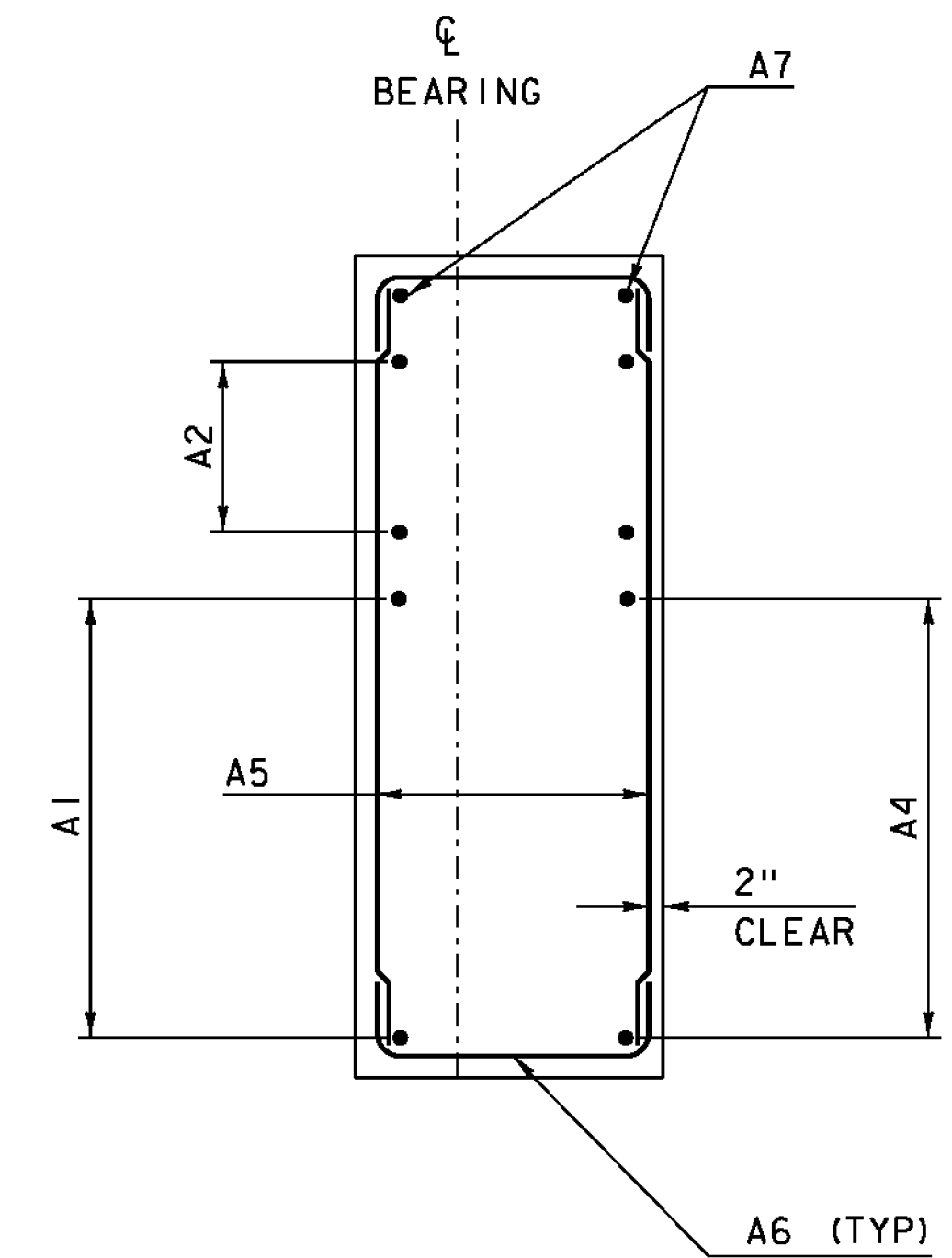
**ABUTMENT TYPICAL  
PBU OPTION**  
SCALE 1/2" = 1'-0"



**ABUTMENT REINFORCING  
AT BRIDGE SEAT**  
SCALE 1/2" = 1'-0"



**ABUTMENT REINFORCING  
AT CAST IN PLACE CHEEK WALL**  
SCALE 1/2" = 1'-0"



**ABUTMENT REINFORCING  
AT PRECAST CHEEK WALL**  
SCALE 1/2" = 1'-0"

**NOTE:**

- 1. SEE ABUTMENT REINFORCING SHEET FOR REINFORCING TABLE.

**NOTE:**

- NF = NEAR FACE
- FF = FAR FACE
- EF = EACH FACE
- 3" CLEAR, UNLESS OTHERWISE SPECIFIED ON THE PLANS.
- 6" LEG LENGTH FOR BAR LABELED A6 SPECIFIED ON THE PLANS.

SPECIAL PROVISION (HIGH PERFORMANCE CONCRETE, RAPID SET)

PROJECT NAME: CLARENDON	PLOT DATE: 08-OCT-2015
PROJECT NUMBER: BRO 1443(48)	DRAWN BY: J. GRIGAS
FILE NAME: s12j160sub2.dgn	CHECKED BY: G. LAROCHE
PROJECT LEADER: K. HIGGINS	SHEET 40 OF 59
DESIGNED BY: J. GRIGAS	
PBU ABUTMENT TYPICALS	