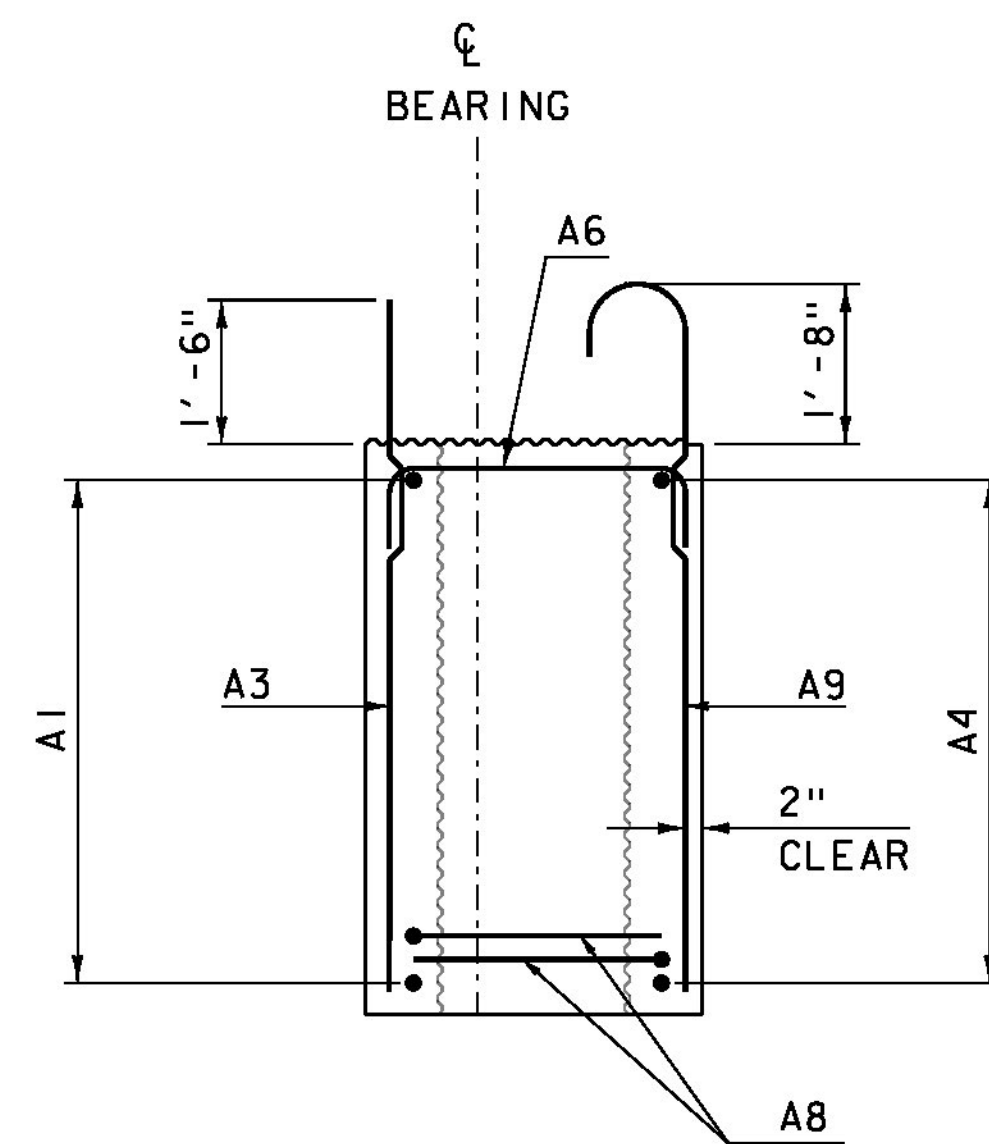
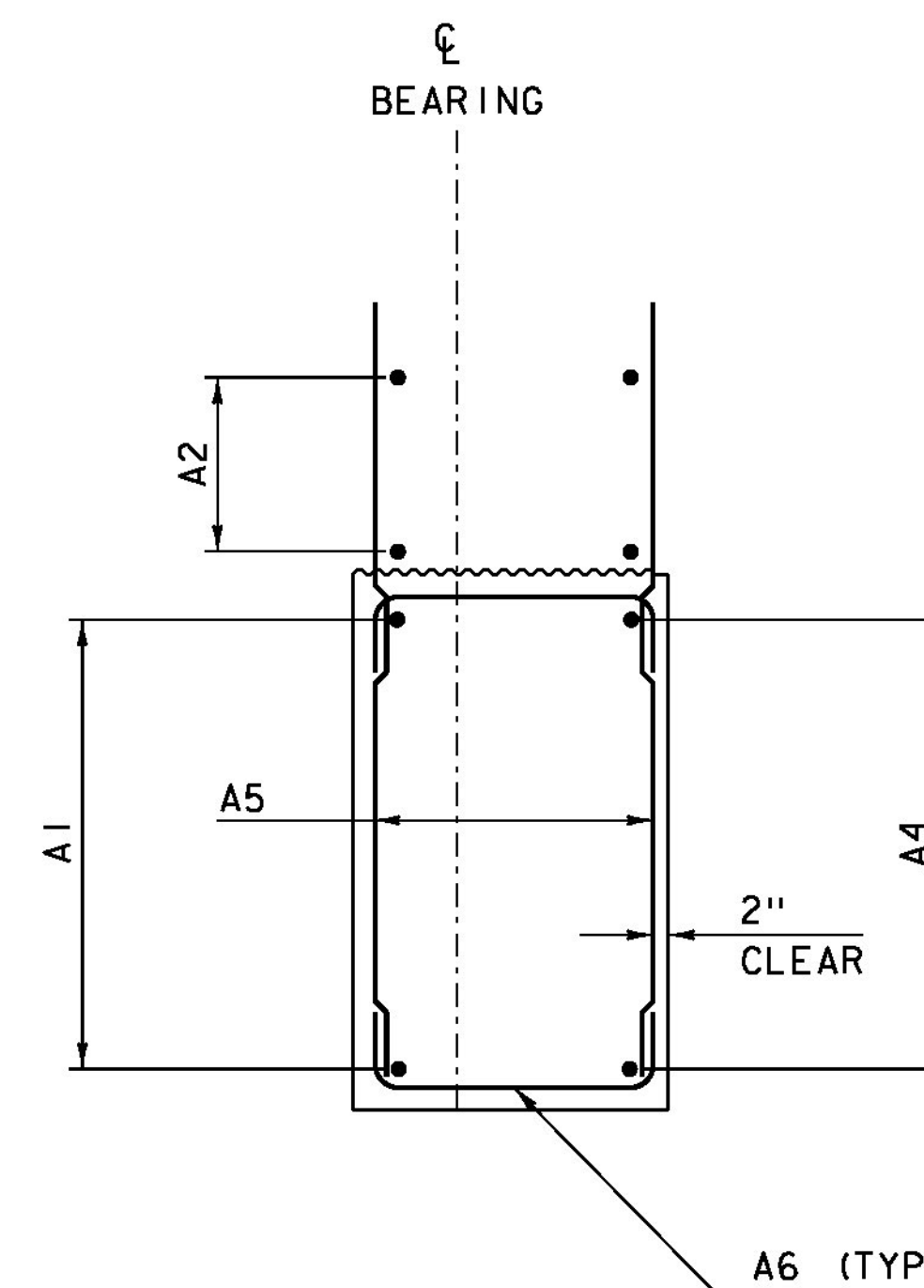


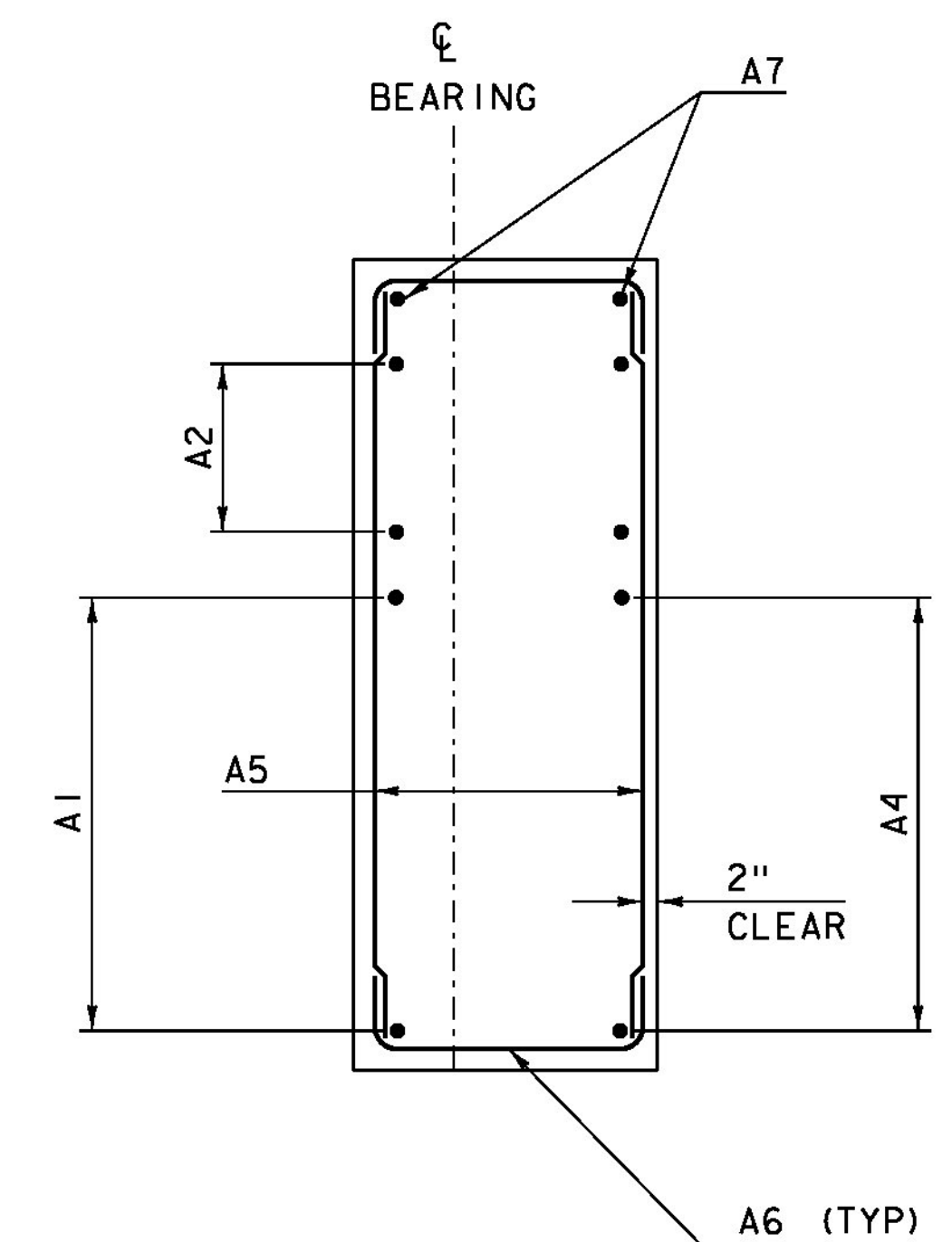
ABUTMENT TYPICAL  
NEXT BEAM ALTERNATIVE  
SCALE 1/2" = 1'-0"



ABUTMENT REINFORCING  
AT BRIDGE SEAT  
SCALE 1/2" = 1'-0"



ABUTMENT REINFORCING  
AT CAST IN PLACE CHEEK WALL  
SCALE 1/2" = 1'-0"



ABUTMENT REINFORCING  
AT PRECAST CHEEK WALL  
SCALE 1/2" = 1'-0"

NOTE:

- SEE ABUTMENT REINFORCING SHEET FOR REINFORCING TABLE.

NOTE:

NF = NEAR FACE  
FF = FAR FACE  
EF = EACH FACE  
3" CLEAR, UNLESS OTHERWISE SPECIFIED ON THE PLANS.  
6" LEG LENGTH FOR BAR LABELED A6 SPECIFIED ON THE PLANS.

 SPECIAL PROVISION (HIGH PERFORMANCE CONCRETE, RAPID SET)

PROJECT NAME: CLARENDON	PLOT DATE: 08-OCT-2015
PROJECT NUMBER: BRO 1443(48)	DRAWN BY: T. MATTHEWS
FILE NAME: s12j160sub.dgn	DESIGNED BY: J. GRIGAS
PROJECT LEADER: K. HIGGINS	CHECKED BY: G. LAROCHE
NEXT BEAM ABUTMENT TYPICALS	SHEET 33 OF 59