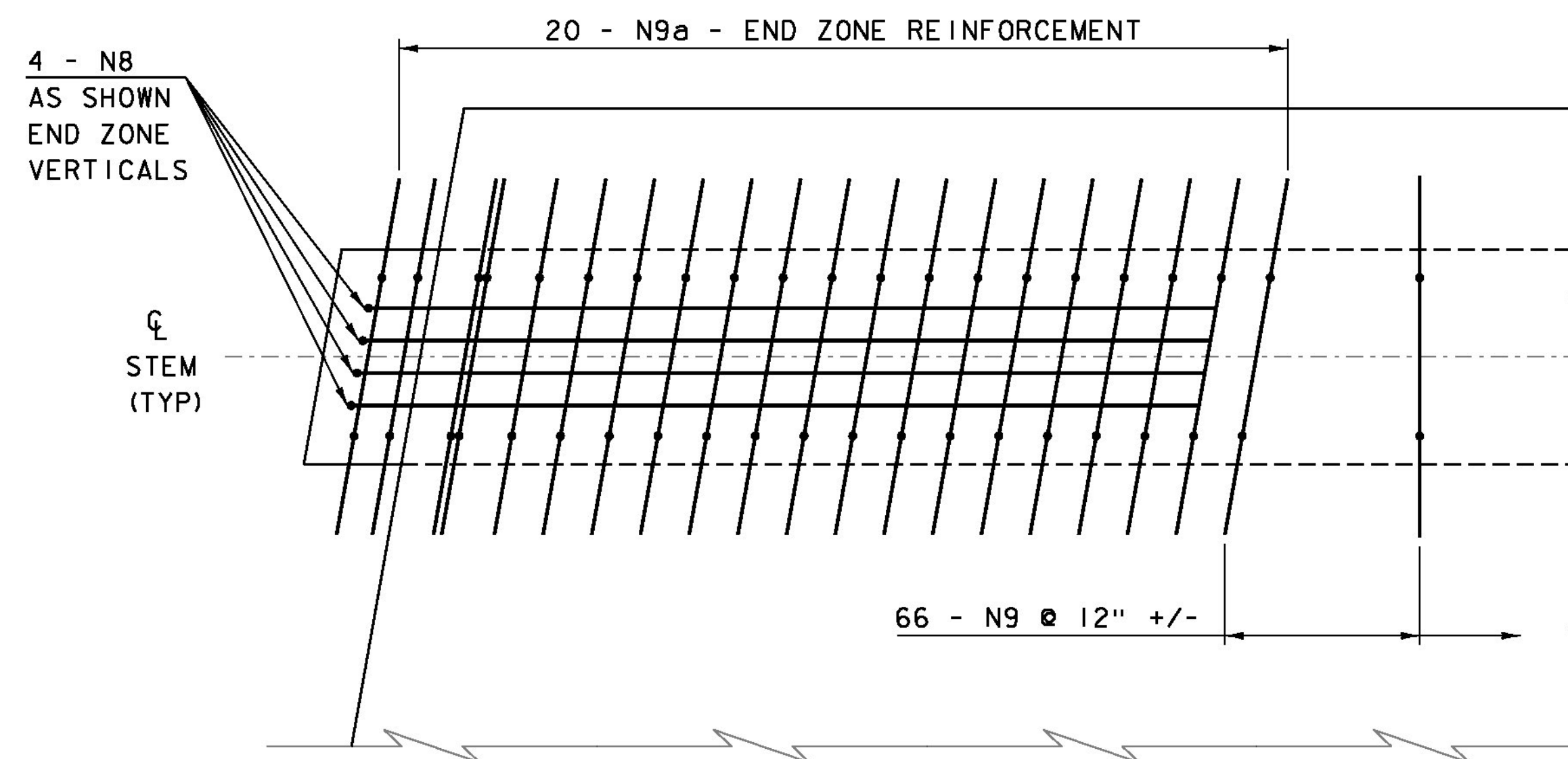


BEAM SECTION

SCALE = 1/2" = 1'-0"

LEGEND

- △ - DEBONDED 4'-0"
- - DEBONDED 2'-0"
- ▽ - DEBONDED 0'-6"
- - EXTEND 2'-2" OUT OF BEAM (90° BEND @ 8" OUT)

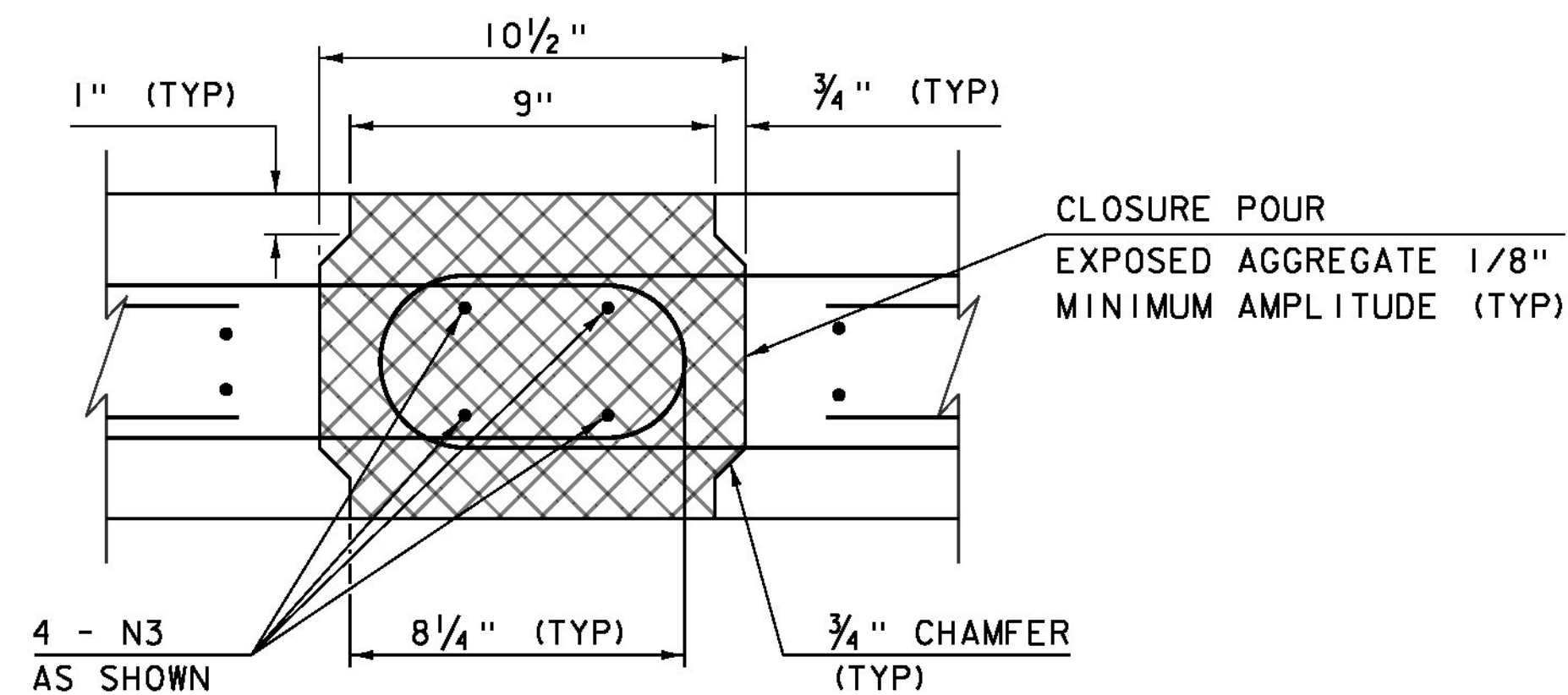


SKEWED END DETAIL

SCALE = 1/2" = 1'-0"

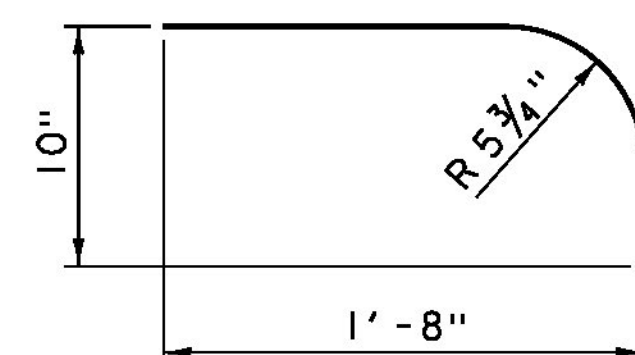
NOTES:

1. BARS IN DECK FLANGE OMITTED FOR CLARITY.
2. TRANSVERSE REINFORCING IN THE DECK SHALL BE PLACED PARALELL TO THE SKEW UNTIL OUTSIDE THE END ZONE REGION
3. HAIRPIN BARS MAY BE BENT NORMAL TO THE FACE OF THE BEAM IN THE END ZONE REGION



CONNECTION DETAIL SECTION

NOT TO SCALE



N10

NOT TO SCALE

PROJECT NAME:	CLARENDON
PROJECT NUMBER:	BRO 1443(48)
FILE NAME: sl2j160sup.dgn	PLOT DATE: 10-SEP-2015
PROJECT LEADER: K. HIGGINS	DRAWN BY: S. COLEY
DESIGNED BY: J. GRIGAS	CHECKED BY: G. LAROCHE
NEXT BEAM DETAILS 2	SHEET 32 OF 59