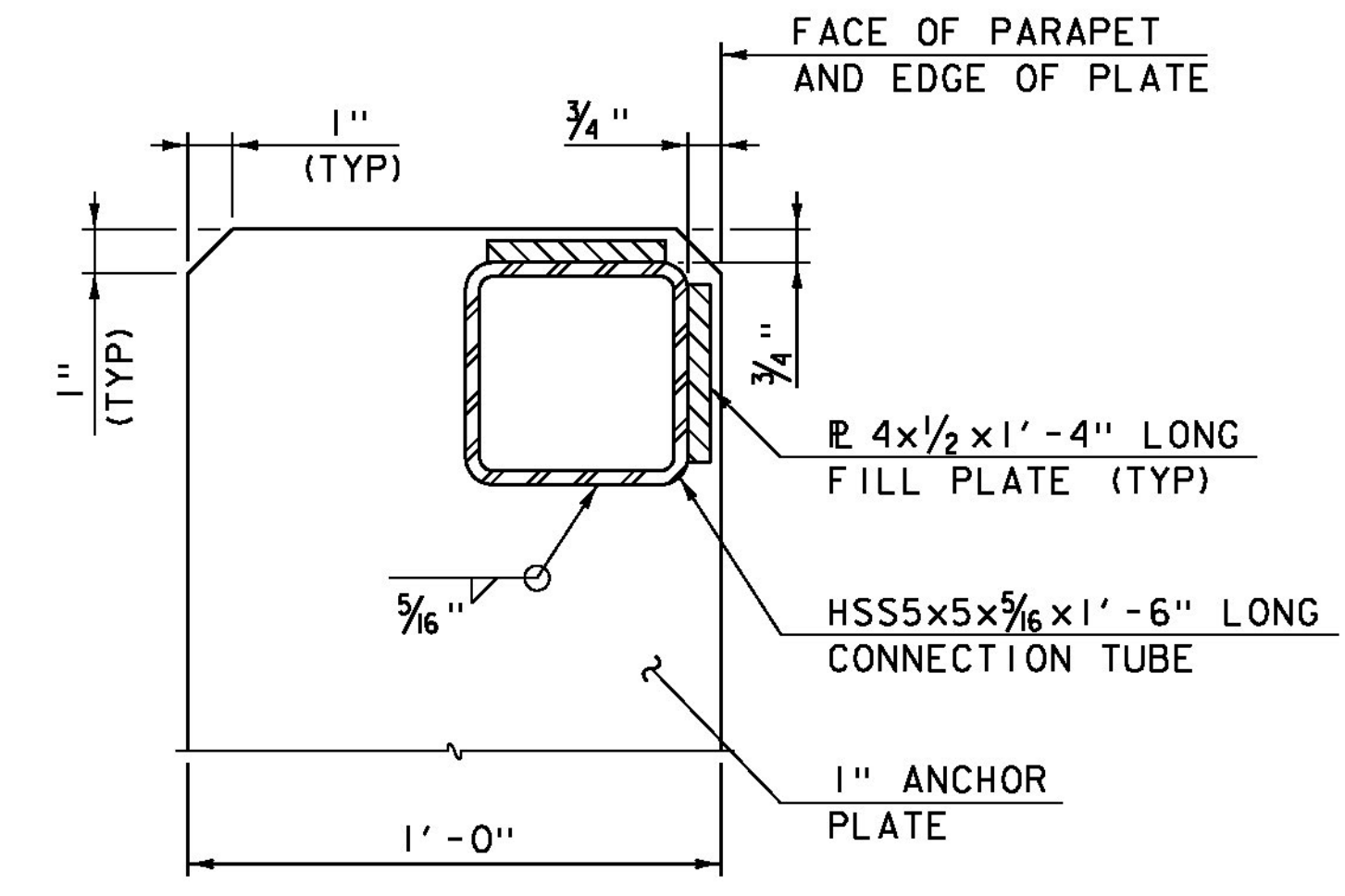
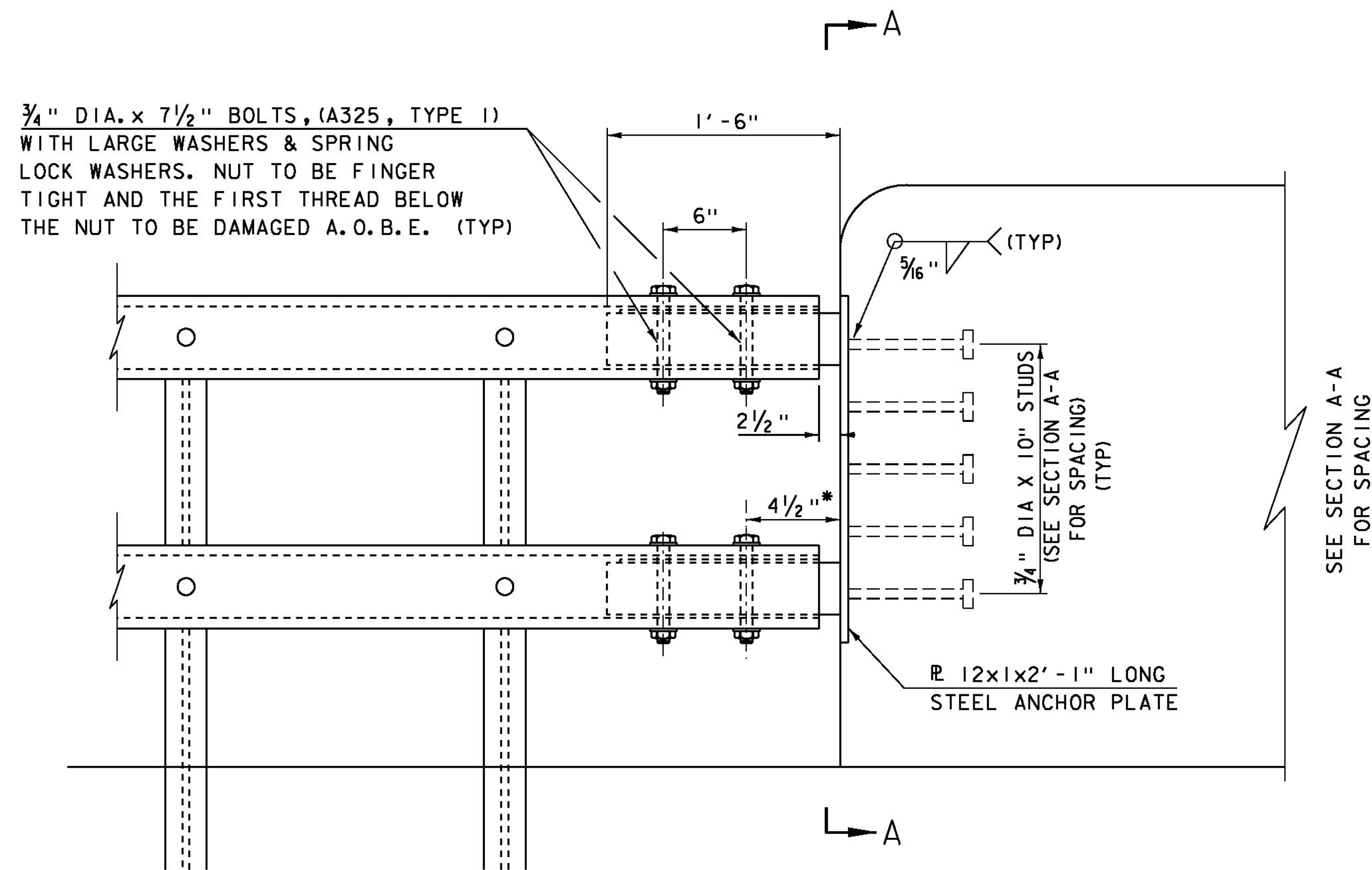


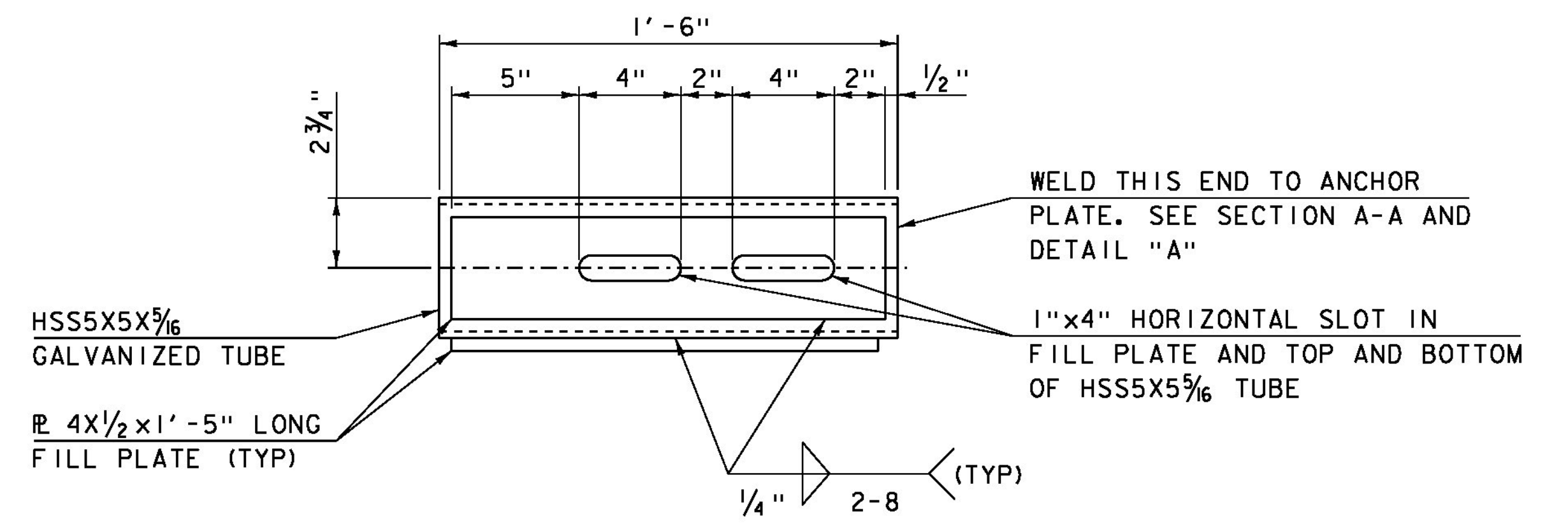
SECTION A-A  
NOT TO SCALE



DETAIL "A"  
NOT TO SCALE



APPROACH RAIL DETAIL  
NOT TO SCALE



CONNECTION TUBE PLATE  
PLAN VIEW  
NOT TO SCALE

\* AT 68°F (INCREASE DIMENSIONS IF MORE THAN 1/2" OF EXPANSION IS ANTICIPATED).

PROJECT NAME:	CLARENDON	PLOT DATE:	10-SEP-2015
PROJECT NUMBER:	BRO 1443(48)	DRAWN BY:	S. COLEY
FILE NAME:	st2j160ralldet.dgn	CHECKED BY:	G. LAROCHE
PROJECT LEADER:	K. HIGGINS	DESIGNED BY:	J. GRIGAS
APPROACH RAIL DETAILS 1			SHEET 23 OF 59