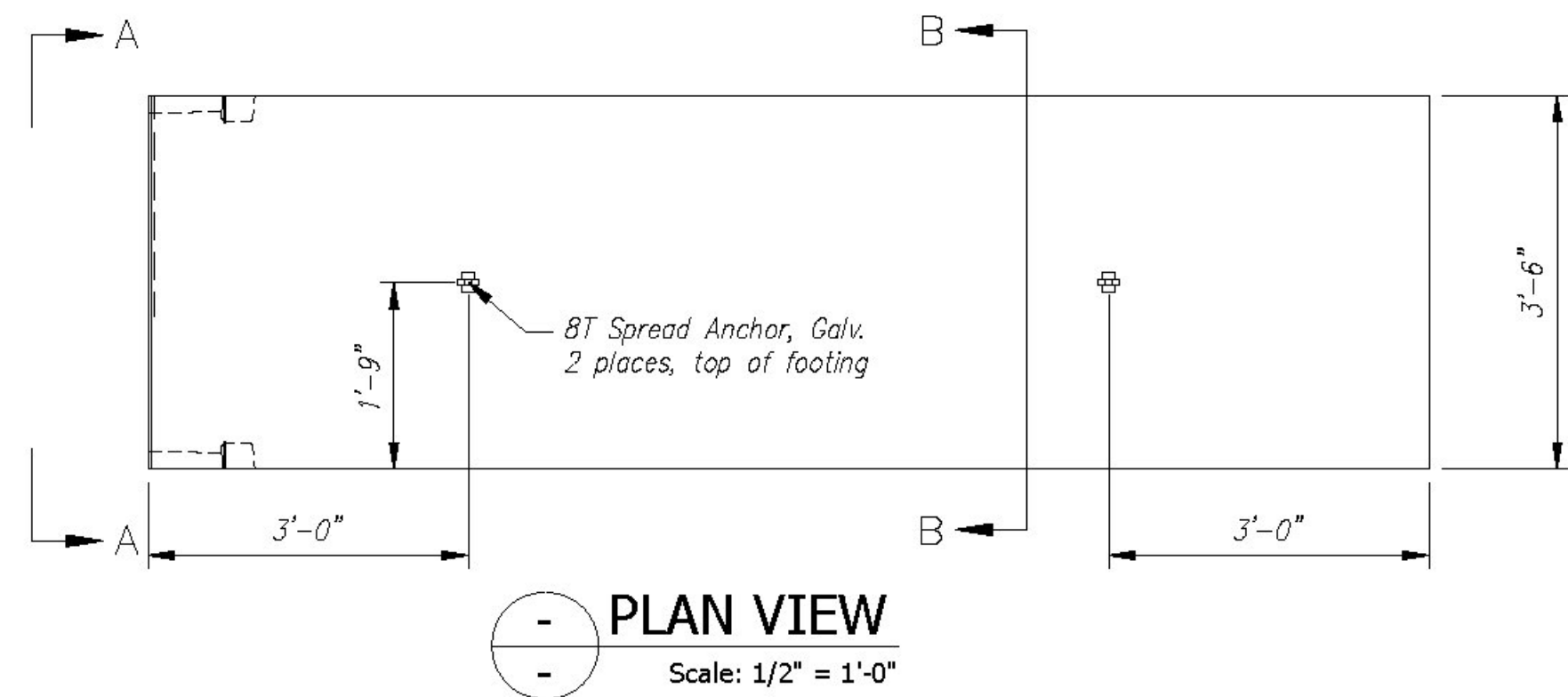
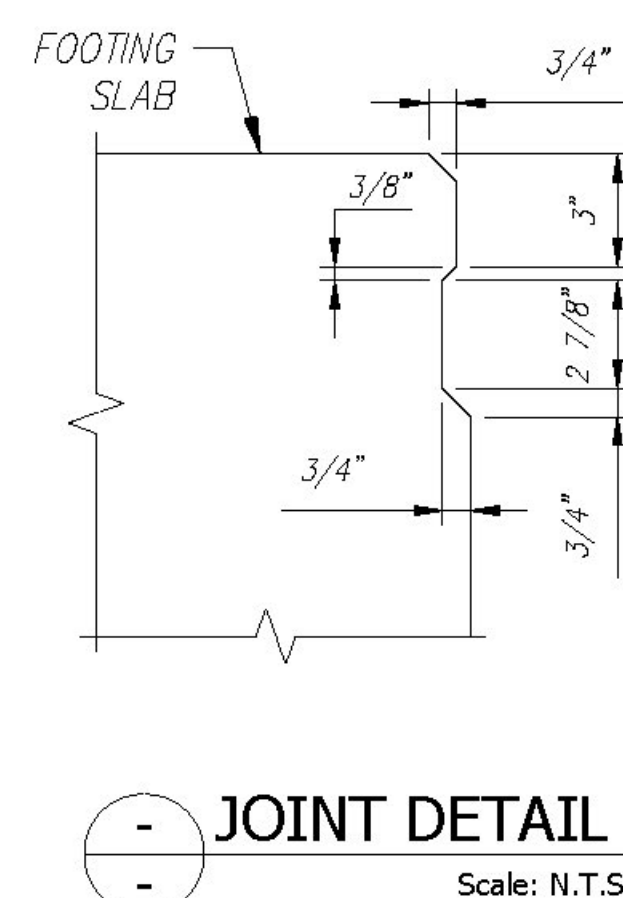
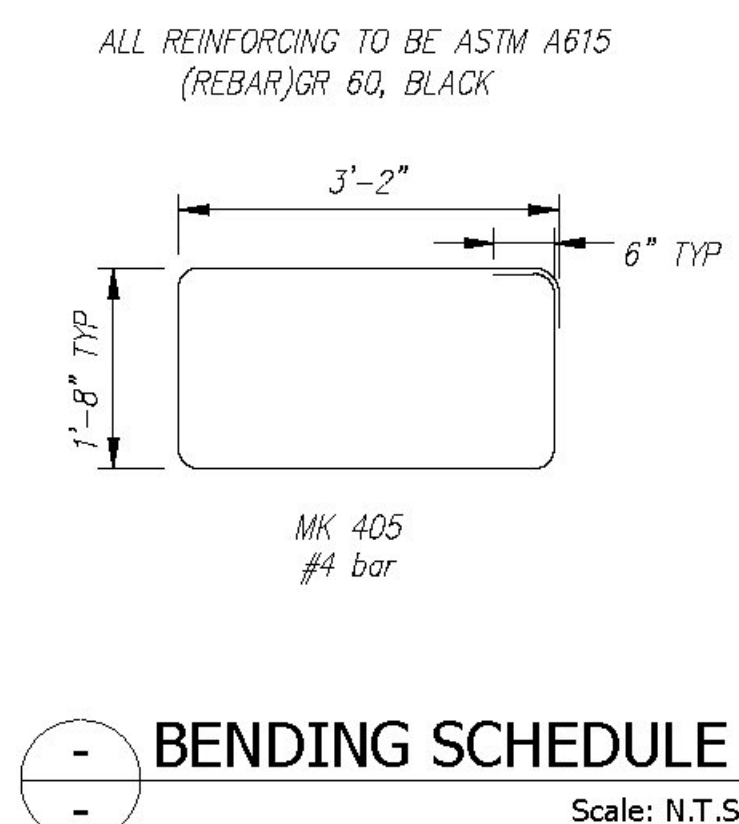
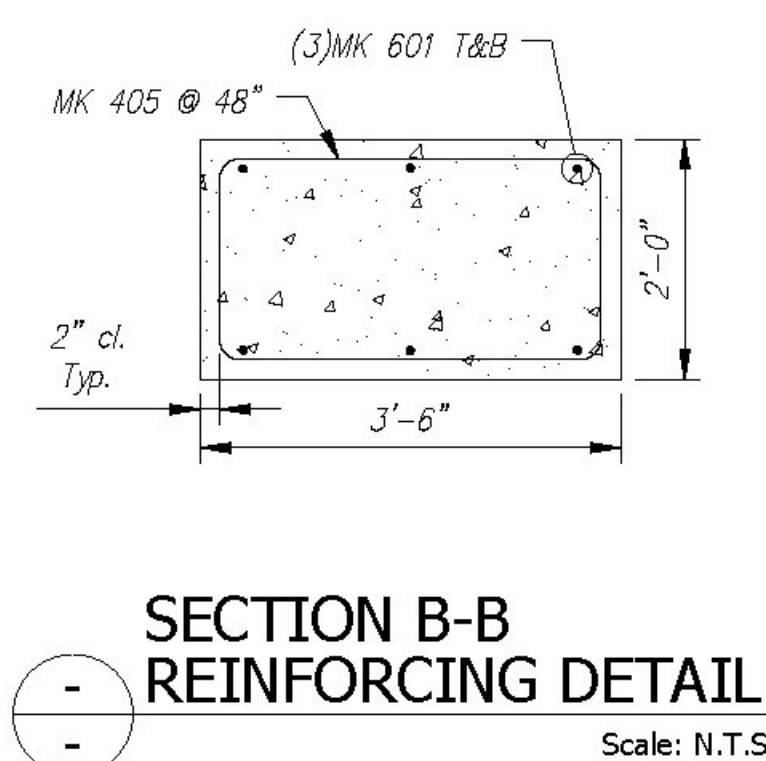
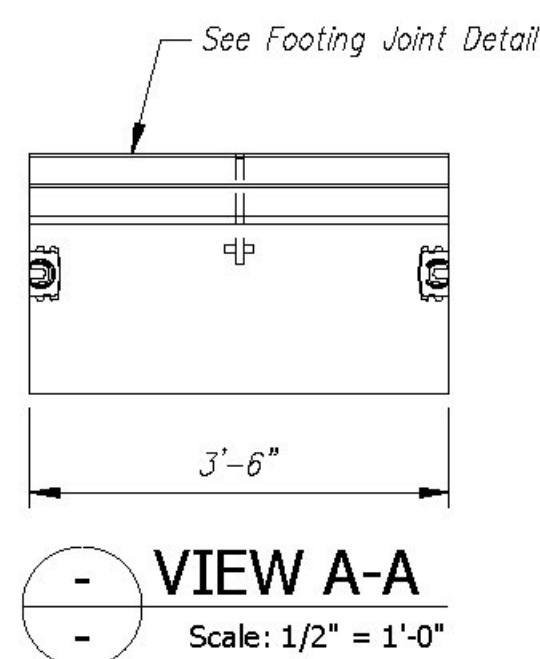
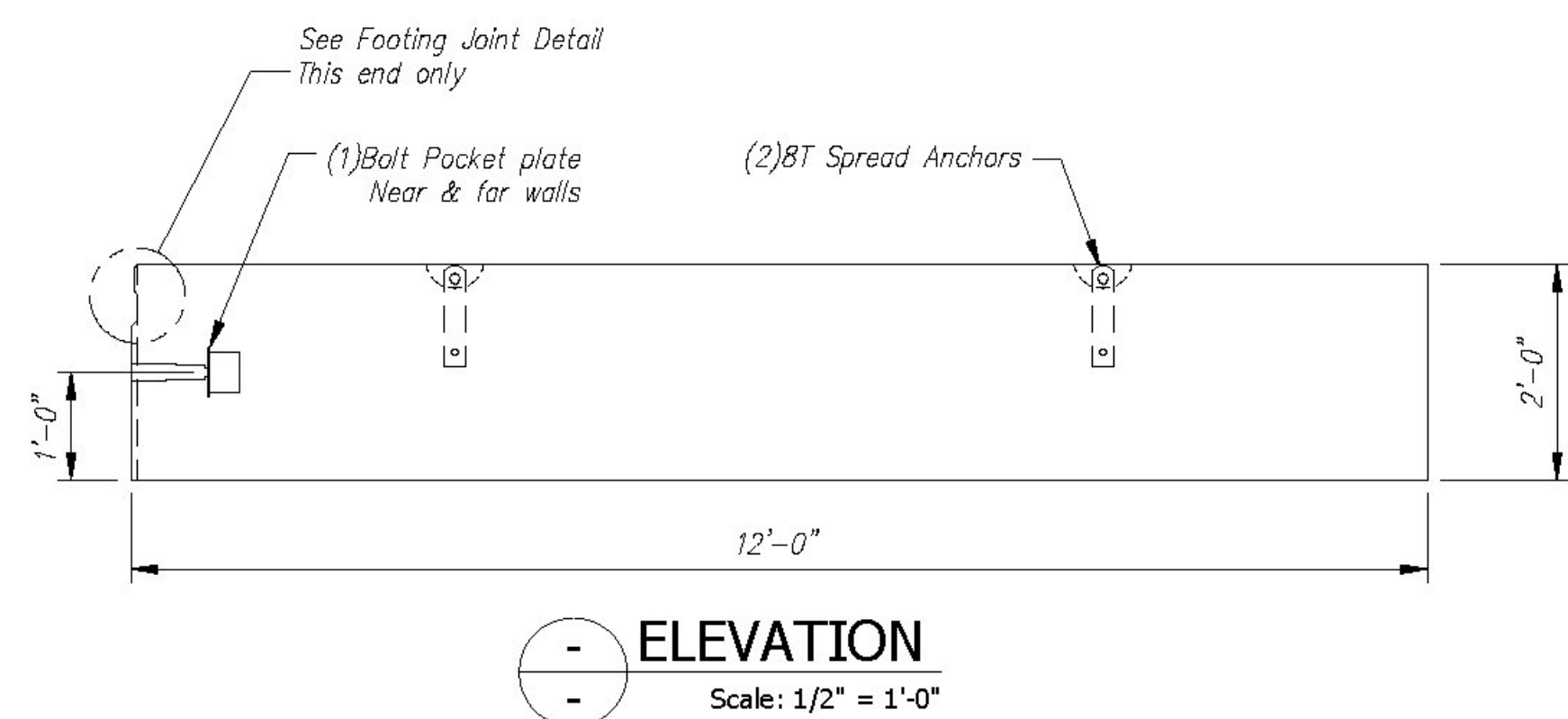


QUANTITY = 1
WEIGHT = 6.30 TONS



FOOTING SLAB - F3B - BILL OF MATERIALS / EMBEDS				
CSI ID#	DESCRIPTION	QTY	UM	COMMENTS
EM-00078	8T SPREAD ANCHOR #FL119/P94	2	EA	
EM-00125	BOLT POCKET PLATE (GALVANIZED)	2	EA	
RM-00013	REBAR #4 BLACK- GR 60	29	LB	
RM-00017	REBAR #6 BLACK-GR 60 40'	105	LB	
MK-FA5000SC30	MIX DESIGN - FLY ASH 5000 SELF CONSOLIDATING	3.11	CY	

Ftg. Slab - F3B Rebar Schedule		
MK	QTY	LENGTH
405 #4	4	10' - 8"
601 #6	6	11' - 8"



Vermont Agency of Transportation
RECEIVED

CK'D BY CLB OK'D BY HIS

July 22, 2015

RESUBMIT NO Approved
BY C. CARLSON DATE 07/23/15

REV.	DESCRIPTION	DATE	BY
1	REVISED PER CUSTOMER REVIEW, NEW FOOTING SECTION	14MAY2015	
2			
3			
4			
5			
6			
7			
8			
9			
10			

Contractor is to verify that all information shown on drawings has been thoroughly checked, complies with the contract documents and is adequate to meet the field conditions. Some dimensions and details may differ from those shown on drawings. The contractor shall be responsible for the design process. Approval of this drawing indicates that the contractor, from the contract documents has been reviewed and found to be acceptable. Production will not commence until receipt of signed, approved shop drawings.

This drawing contains information proprietary to CONCRETE SYSTEMS, INC. This drawing is disclosed with the understanding that it will be retained in the field for the project. It is understood that no production of this drawing is authorized without permission from CONCRETE SYSTEMS, INC. and that it will be returned to CONCRETE SYSTEMS, INC. upon request.

This drawing is based upon information provided from the following documents and/or sources:
 Engineer: STATE OF VT/AOT PROGRAM DEVELOPMENT
 Project No: _____
 Drawings: STATE OF VT/AOT PROPOSED IMPROVEMENT BRIDGE PROJECT, TOWN OF RICHFORD SHEETS 1,2,4,22,23,24 OF 36
 Specifications: STANDARD SPECIFICATIONS FOR CONSTRUCTION DATED 2011
 Other: _____

STATE AGENCY

Concrete Systems Inc.
 9 Commercial St., Hudson, NH, 03051
 Phone 603-889-4163
 Fax 603-889-2417

G.W. TATRO CONSTRUCTION, INC.
 VT/AOT BRIDGE REPLACEMENT- ROAD IMPROVEMENT
 RICHFORD, VT.

Drawn By: R. YEAGER Date: 14MAY2015
 Reviewed By: _____ Date: _____
 Approved By: C. VICK Date: 17JUN2015

Quantity: 1 Project No: BRF030229 SHEET 14 OF 14

Drawing No. SHOP DRAWING F3B
 C22312-F3B REV 1