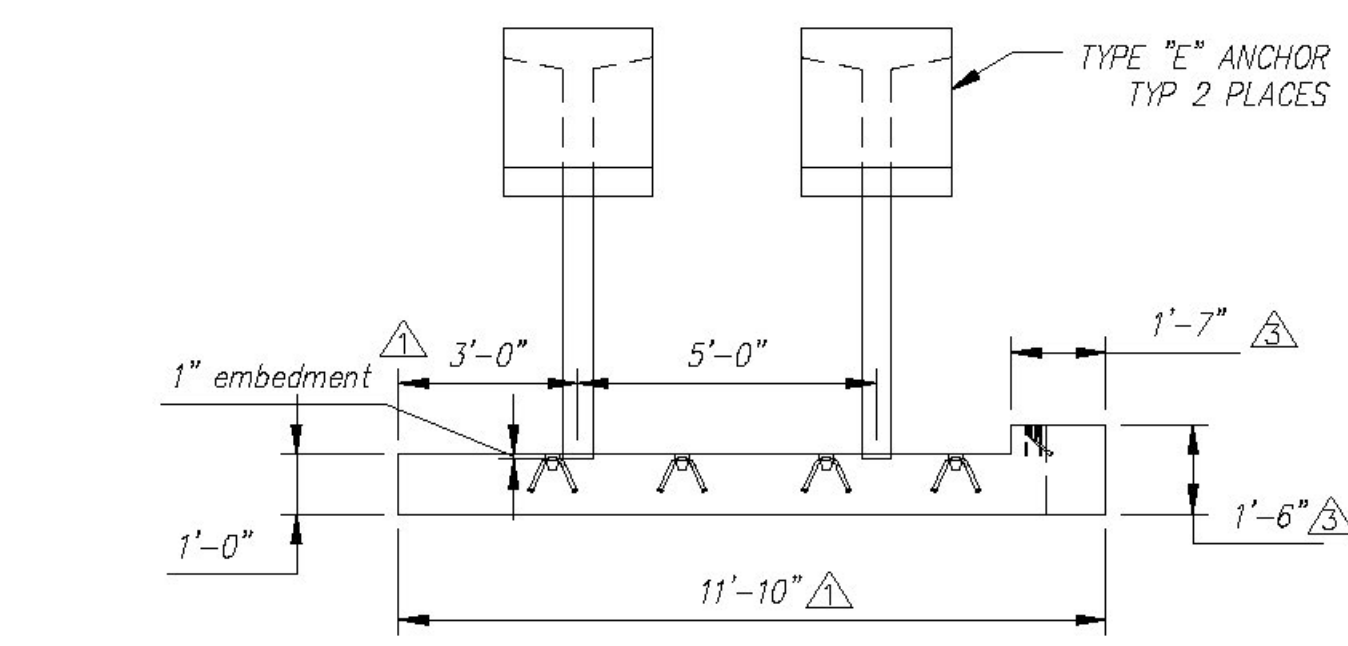


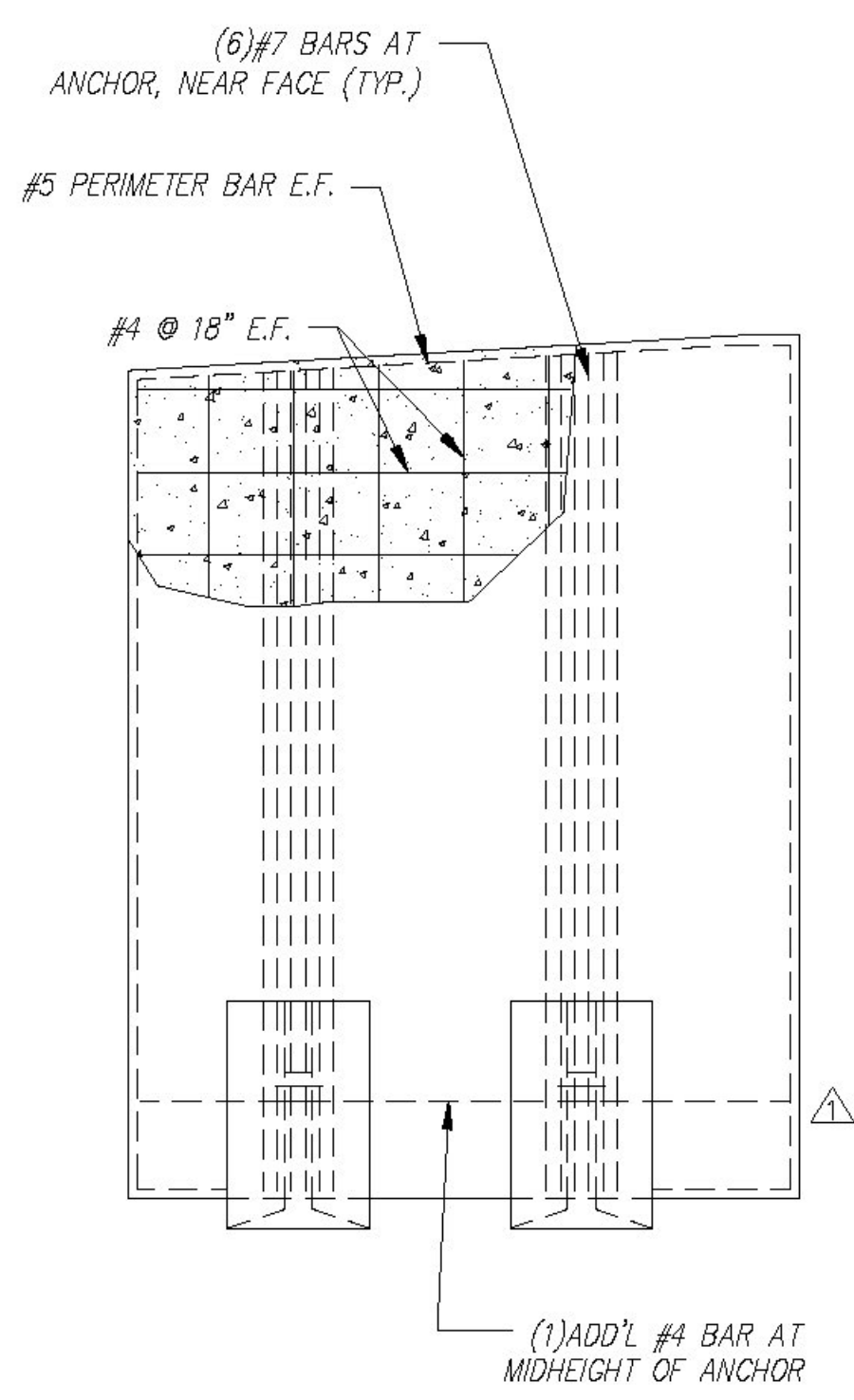
PLAN VIEW
Scale: 1/4" = 1'-0"



FRONT ELEVATION
Scale: 1/4" = 1'-0"

ALL REINFORCING TO BE Z-BAR GR 60(VTAOT LEVEL 2)

ALL EXPOSED EDGES OF CONCRETE TO RECEIVE 1" CHAMFER



REINFORCING DETAIL
Scale: 1/4" = 1'-0"

QUANTITY = 1
WEIGHT = 16.47 TONS

WW4 - BILL OF MATERIALS / EMBEDS				
CSI ID#	DESCRIPTION	QTY	UM	COMMENTS
CSANC-E	CONSPAN WINGWALL ANCHOR (E)	2	EA	
DTJ	CERTI-VEX PENSEAL 244-40%	1.20	GA	
EM-00034	4" FOAM CORE PVC	1	FT	
EM-0005A	1" X 6" PRESET WING INSERT	2	EA	
EM-00115	UTILITY ANCHOR #8UA671-GALVANIZED	6	EA	
DTJ	REBAR #4 Z-BAR GR 60 VTAOT LEVEL II	305	LB	
DTJ	REBAR #5 Z-BAR GR 60 VTAOT LEVEL II	108	LB	
DTJ	REBAR #7 Z-BAR GR 60 VTAOT LEVEL II	356	LB	
MX-FA5000SC30	MIX DESIGN - FLY ASH 5000 SELF CONSOLIDATING	6.99	CY	

Rev.	Date	DESCRIPTION	By
10			
9			
8			
7			
6			
5			
4	17JUN2015	REVISED PER CUSTOMER REVIEW	BSS
3	10JUN2015	ADDED 6" STANDOFF	RY
2	04JUN2015	REVISED PER CUSTOMER REVIEW	RY
1	14MAY2015	REVISED PER CUSTOMER REVIEW	RY

Contractor is to verify that all information shown on drawings has been thoroughly checked, complies with the contract documents and is adequate to meet the field conditions. Some dimensions and details may differ from those shown on drawings. Approval of this drawing indicates that any deviation from the contract documents has been reviewed and found to be acceptable. Production will not commence until receipt of signed, approved shop drawings.

This drawing contains information proprietary to CONCRETE SYSTEMS, INC. It is disclosed with the understanding that it will be retained in confidence and not be used for any other project without the written authorization of CONCRETE SYSTEMS, INC. and that it will be returned to CONCRETE SYSTEMS, INC. upon request.

Vermont Agency of Transportation
RECEIVED
CK'D BY CLB OK'D BY HIS
July 22, 2015
RESUBMIT NO Approved
BY C. CARLSON DATE 07/23/15

This drawing is based upon information provided from the following documents and/or sources:
Engineer: STATE OF VT/AOT PROGRAM DEVELOPMENT
Project No: ----
Drawings: STATE OF VT/AOT PROPOSED IMPROVEMENT BRIDGE PROJECT, TOWN OF RICHFORD SHEETS 1,2,4,22,23,24 OF 36
Specifications: STANDARD SPECIFICATIONS FOR CONSTRUCTION DATED 2011
Other: ----

STATE AGENCY
VTTrans
Concrete Systems Inc.
9 Commercial St., Hudson, NH, 03051
Phone 603-889-4163
Fax 603-889-2417

Drawn By: B. SKELTON/RY Date: 17APR2015
Reviewed By: B. KOLAWOLE Date: ----
Approved By: C. VICK Date: 17JUN2015

G.W. TATRO CONSTRUCTION, INC.
VT/AOT BRIDGE REPLACEMENT- ROAD IMPROVEMENT
RICHFORD, VT.

SHOP DRAWING WW4
C22312--WW4

Quantity: 1 Project No: BRFO30229 SHEET 8 OF 14