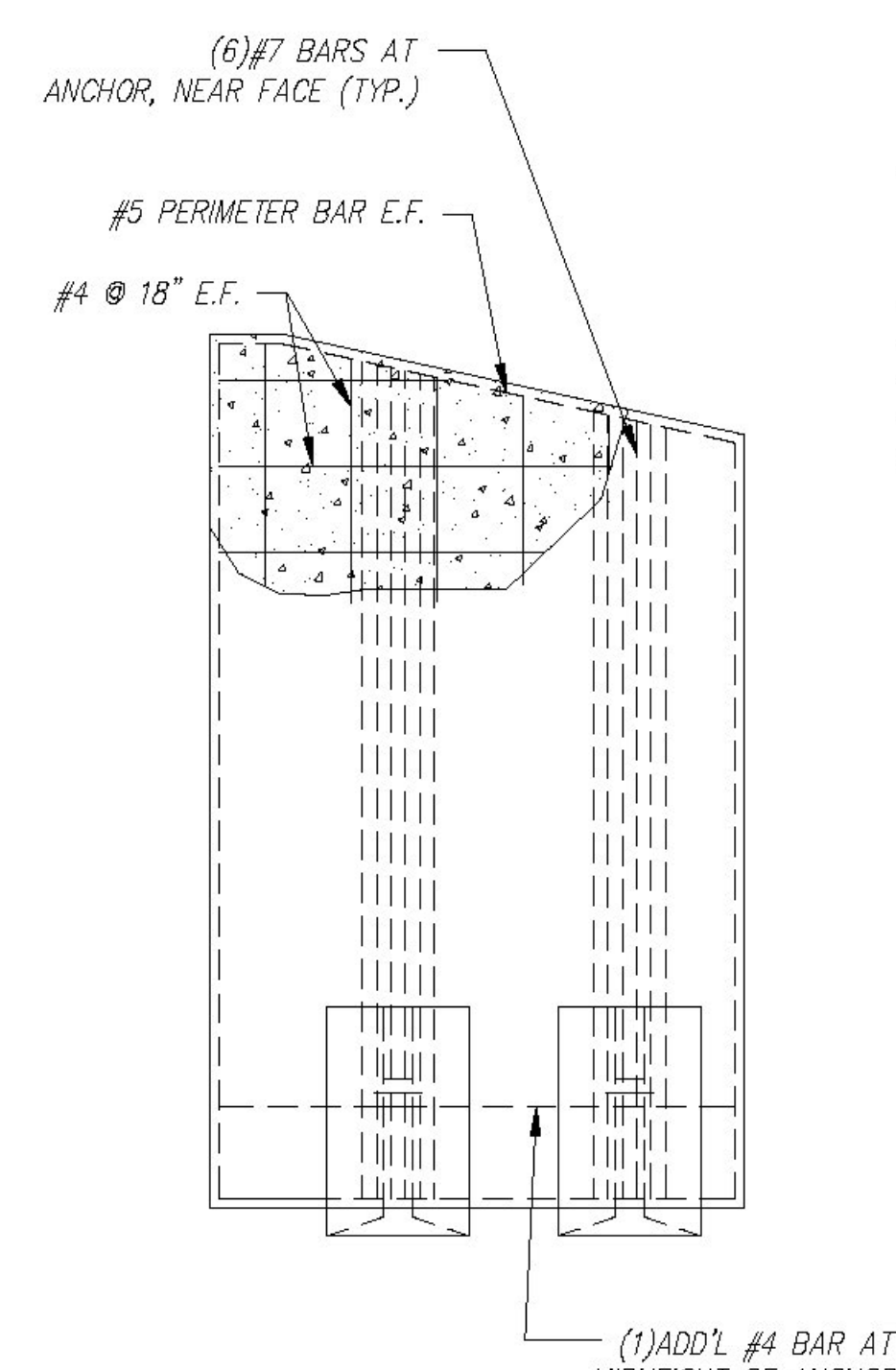


PLAN VIEW
Scale: 1/4" = 1'-0"

ALL REINFORCING TO BE Z-BAR GR 60(VTAOT LEVEL 2)

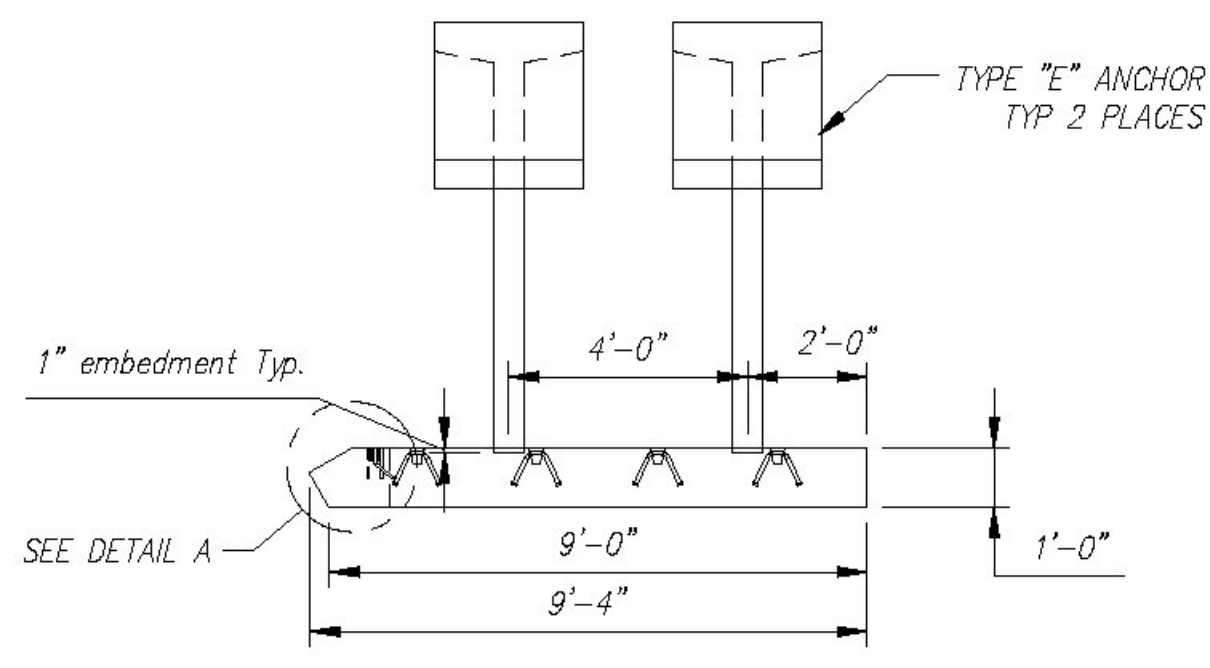
ALL EXPOSED EDGES OF CONCRETE TO RECEIVE 1" CHAMFER



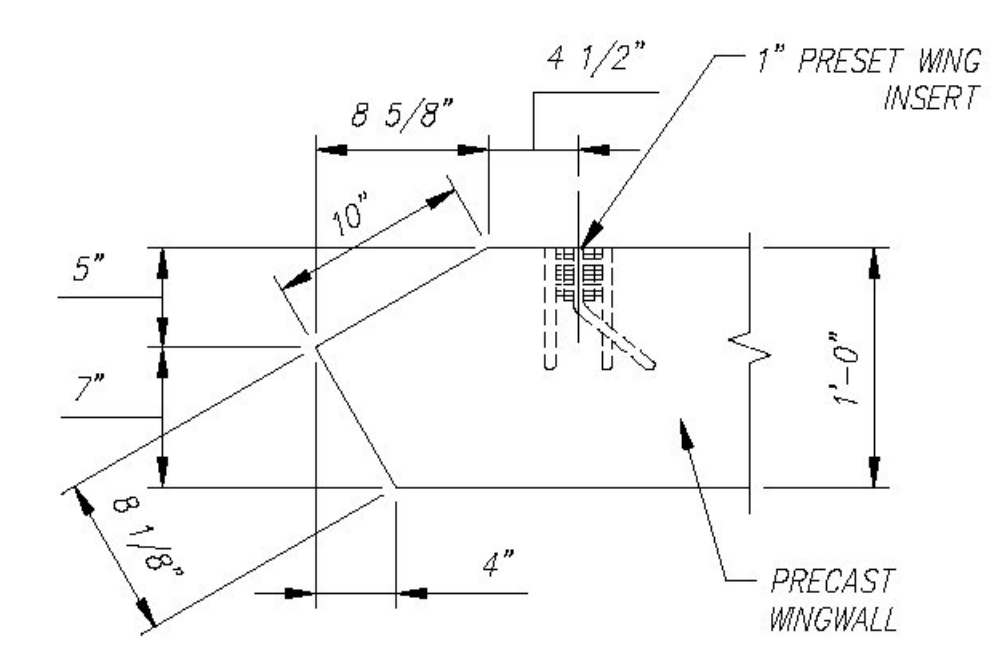
REINFORCING DETAIL
Scale: 1/4" = 1'-0"

QUANTITY = 1
WEIGHT = 12.21 TONS

WW3A - BILL OF MATERIALS / EMBEDS			
CSI ID#	DESCRIPTION	QTY	UM COMMENTS
CSANC-E	CON/SPAN WINGWALL ANCHOR (E)	2	EA
DTJ	CERTI-VEX PENSEAL 244-40%	1.00	GA
EM-00034	4" FOAM CORE PVC	1	FT
EM-0005A	1" X 6" PRESET WING INSERT	4	EA
EM-00115	UTILITY ANCHOR #8UA671-GALVANIZED	6	EA
DTJ	REBAR #4 Z-BAR GR 60 VTAOT LEVEL II	252	LB
DTJ	REBAR #5 Z-BAR GR 60 VTAOT LEVEL II	96	LB
DTJ	REBAR #7 Z-BAR GR 60 VTAOT LEVEL II	358	LB
MX-FA5000SC30	MIX DESIGN - FLY ASH 5000 SELF CONSOLIDATING	4.89	CY



FRONT ELEVATION
Scale: 1/4" = 1'-0"



DETAIL A
Scale: N.T.S.

Rev.	Date	Description
1	14MAY2015	REVISED PER CUSTOMER REVIEW
2	28MAY2015	15'-3" WAS 14'-10 3/8", 13'-5 7/8" WAS 13'-3 3/8", VARIOUS CHANGES
3	10JUN2015	MOVED WEEP HOLE TO 1'
4	17JUN2015	REVISED PER CUSTOMER REVIEW

Contractor is to verify that all information shown on drawings has been thoroughly checked, complies with the contract documents and is adequate to meet the field conditions. Some dimensions and details may differ from those shown on drawings. Approval of this drawing indicates that any deviation from the contract documents has been reviewed and found to be acceptable. Production will not commence until receipt of signed, approved shop drawings.

This drawing contains information proprietary to CONCRETE SYSTEMS, INC. It is to be used only for the project and site for which it was prepared. It is disclosed without permission from CONCRETE SYSTEMS, INC. and that it will be returned to CONCRETE SYSTEMS, INC. upon request.

Vermont Agency of Transportation
RECEIVED
CK'D BY CLB OK'D BY HIS
July 22, 2015
RESUBMIT NO Approved
BY C. CARLSON DATE 07/23/15

This drawing is based upon information provided from the following documents and/or sources:
 Engineer: STATE OF VT/AOT PROGRAM DEVELOPMENT
 Project No: _____
 Drawings: STATE OF VT/AOT PROPOSED IMPROVEMENT BRIDGE PROJECT, TOWN OF RICHFORD SHEETS 1,2,4,22,23,24 OF 36
 Specifications: STANDARD SPECIFICATIONS FOR CONSTRUCTION DATED 2011
 Other: _____

STATE AGENCY

Concrete Systems Inc.
 9 Commercial St., Hudson, NH, 03051
 Phone 603-889-4163
 Fax 603-889-2417

Drawn By: B. SKELTON/RY Date: 17APR2015
 Reviewed By: B. KOLAWOLE Date: _____
 Approved By: C. VICK Date: 17JUN2015

G.W. TATRO CONSTRUCTION, INC.
 VT/AOT BRIDGE REPLACEMENT- ROAD IMPROVEMENT
 RICHFORD, VT.

SHOP DRAWING WW3A
 C22312--WW3A

Quantity: 1 Project No: BRFO30229 SHEET 6 OF 14

REV	DESCRIPTION
4	