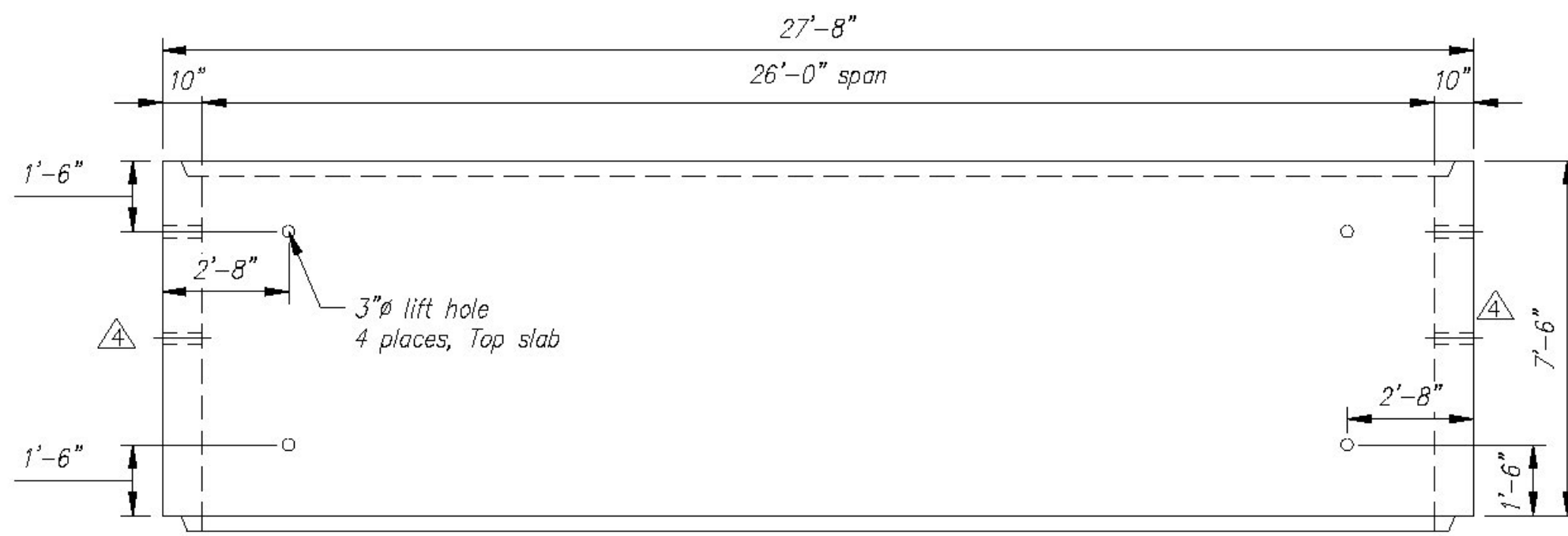


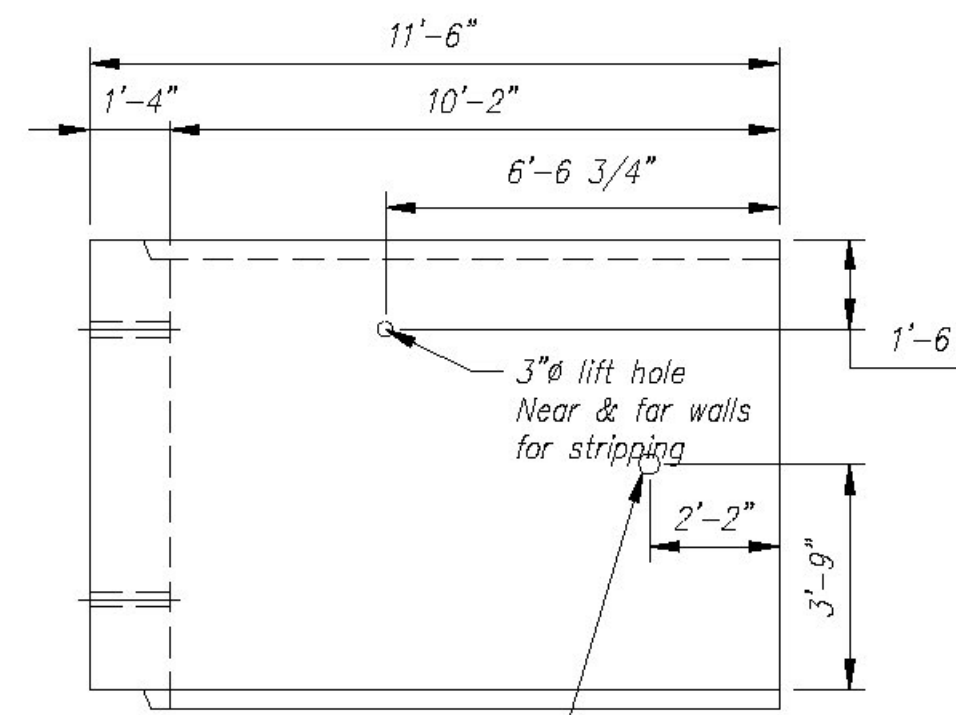
QUANTITY = 2
WEIGHT = 30.78 TONS

C2 - BILL OF MATERIALS / EMBEDS				
CSI ID#	DESCRIPTION	QTY	UM	COMMENTS
EM-00033	3" FOAM CORE PVC	7	FT	
JS-00002	1"X1"CLOSED NEOP GASKET	49	FT	AROUND BELL
DTJ	REBAR #4 Z-BAR GR 60 VTAOT LEVEL II	824	LB	
DTJ	REBAR #7 Z-BAR GR 60 VTAOT LEVEL II	2667	LB	
MX-FA5000SC30	MIX DESIGN - FLY ASH 5000 SELF CONSOLIDATING	15.2	CY	

C2 Culvert Rebar Schedule		
MK	QTY	LENGTH
401 #4	20	10' - 6"
402 #4	10	27' - 0"
403 #4	104	7' - 3"
701 #7	38	18' - 0"
702 #7	23	27' - 0"

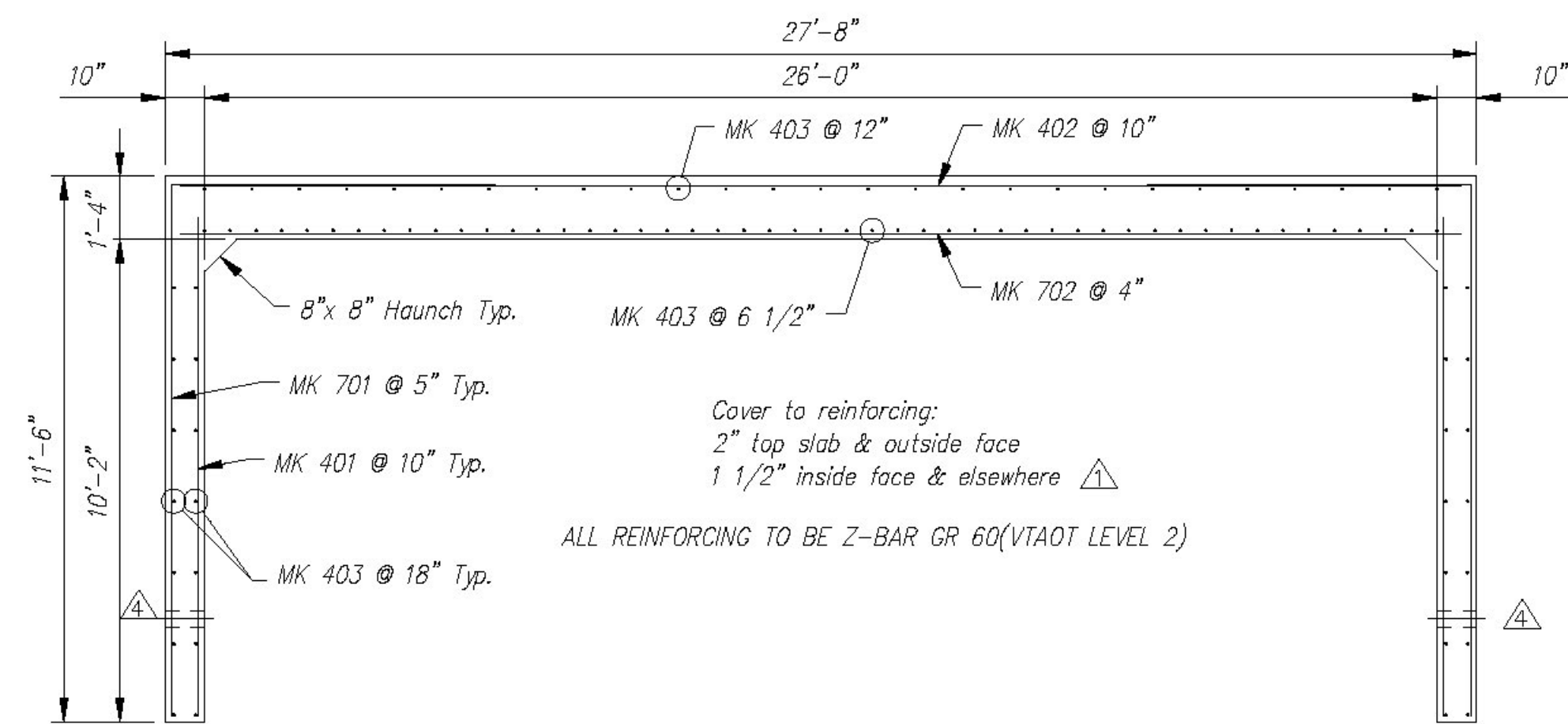


PLAN VIEW
Scale: 1/4" = 1'-0"

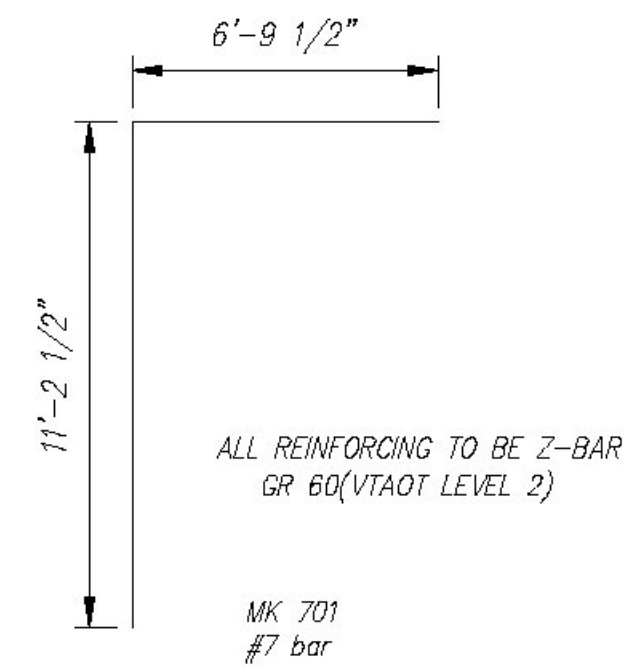


R. SIDE ELEVATION
Scale: 1/4" = 1'-0"

△ Culvert piece length is 1/2" shorter on shop drawing than on layout drawing.
Layout dimension includes joint gap.



REINFORCING DETAIL
Scale: N.T.S.



BENDING SCHEDULE
Scale: N.T.S.

Vermont Agency of Transportation
RECEIVED
CK'D BY CLB OK'D BY HIS
July 22, 2015
RESUBMIT NO Approved
BY C. CARLSON DATE 07/23/15

Rev.	Date	DESCRIPTION
1	14MAY2015	REVISED PER CUSTOMER REVIEW, ADDED NOTE
2	17JUN2015	REVISED PER CUSTOMER REVIEW
3		
4		
5		
6		
7		
8		
9		
10		

Contractor is to verify that all information shown on drawings has been thoroughly checked, complies with the contract documents and is adequate to meet the field conditions. Some dimensions and details may differ from those shown on drawings. Approval of this drawing indicates that any deviation from the contract documents has been reviewed and found to be acceptable. Production will not commence until receipt of signed, approved shop drawings.

This drawing contains information proprietary to CONCRETE SYSTEMS, INC. It is disclosed with the understanding that it will be retained in confidence and that it is not to be reproduced or used in any way without the prior written authorization of CONCRETE SYSTEMS, INC. and that it will be returned to CONCRETE SYSTEMS, INC. upon request.

This drawing is based upon information provided from the following documents and/or sources:
 Engineer: STATE OF VT/AOT PROGRAM DEVELOPMENT
 Project No: _____
 Drawings: STATE OF VT/AOT PROPOSED IMPROVEMENT BRIDGE PROJECT, TOWN OF RICHFORD SHEETS 1,2,4,22,23,24 OF 36
 Specifications: STANDARD SPECIFICATIONS FOR CONSTRUCTION DATED 2011
 Other: _____

STATE AGENCY
VTTrans

Concrete Systems Inc.
9 Commercial St., Hudson, NH, 03051
Phone 603-889-4163
Fax 603-889-2417

Drawn By: R. YEAGER Date: 16APR2015
 Reviewed By: B. KOLAWOLE Date: _____
 Approved By: C. VICK Date: 17JUN2015

G.W. TATRO CONSTRUCTION, INC.
VT/AOT BRIDGE REPLACEMENT - ROAD IMPROVEMENT
RICHFORD, VT.

SHOP DRAWING C2
C22312-C2

Quantity: 2 Project No: BRFO30229 SHEET 2 OF 14

REV 2