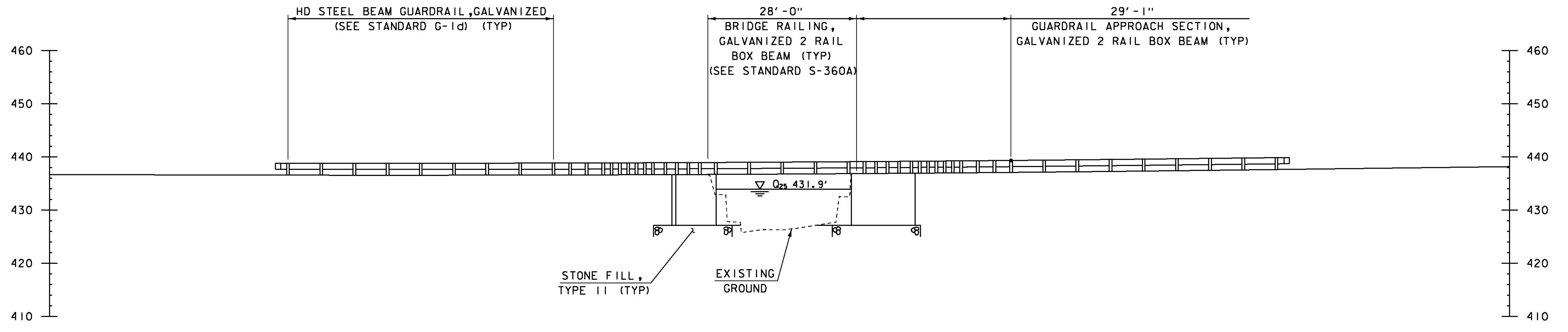


PLAN



ELEVATION

SCALE 1" = 10'-0"
 10 0 10

PROJECT NAME:	RICHFORD	PLOT DATE:	11-DEC-2014
PROJECT NUMBER:	BRF 0302(29)	DRAWN BY:	R. PELLETT
FILE NAME:	st2j158pe.dgn	CHECKED BY:	H. SALLS
PROJECT LEADER:	C. CARLSON	DESIGNED BY:	H. SALLS
PLAN AND ELEVATION			SHEET 22 OF 36