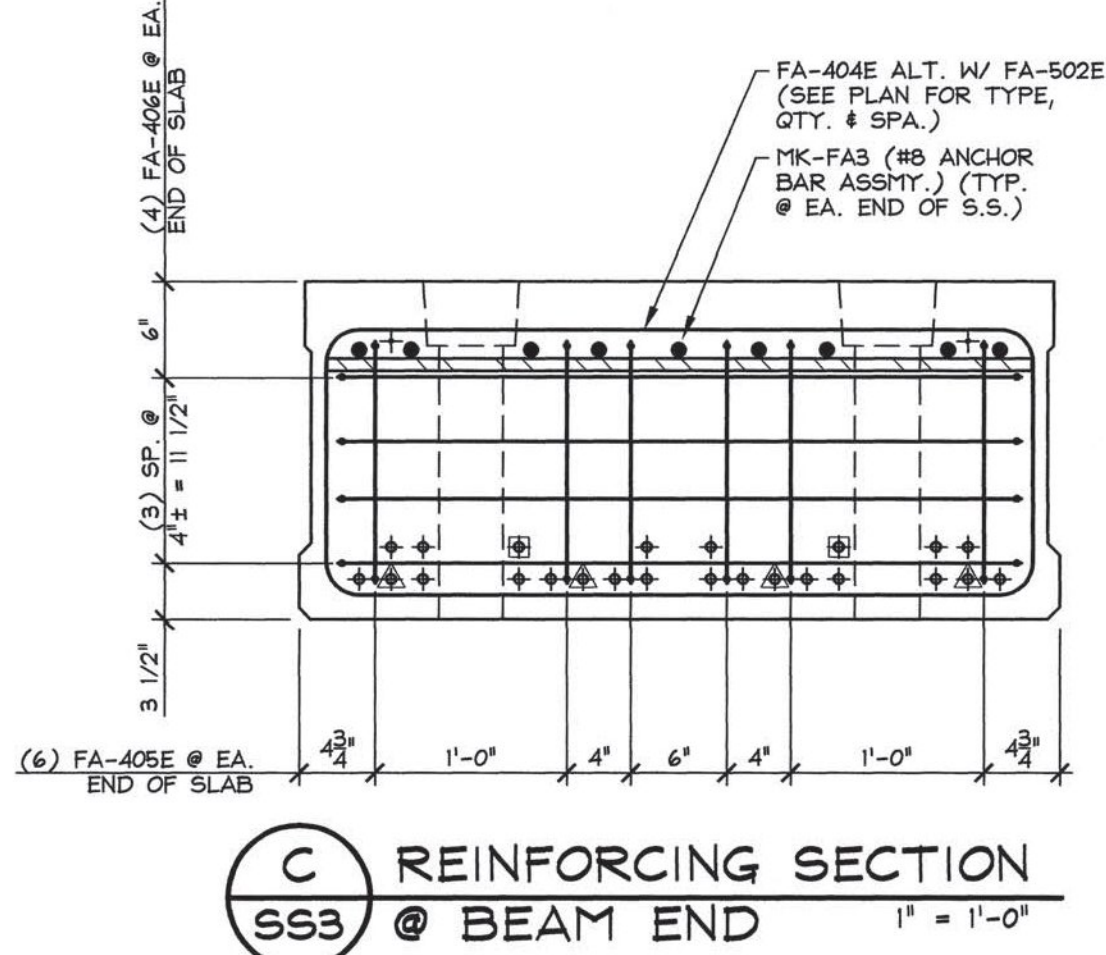
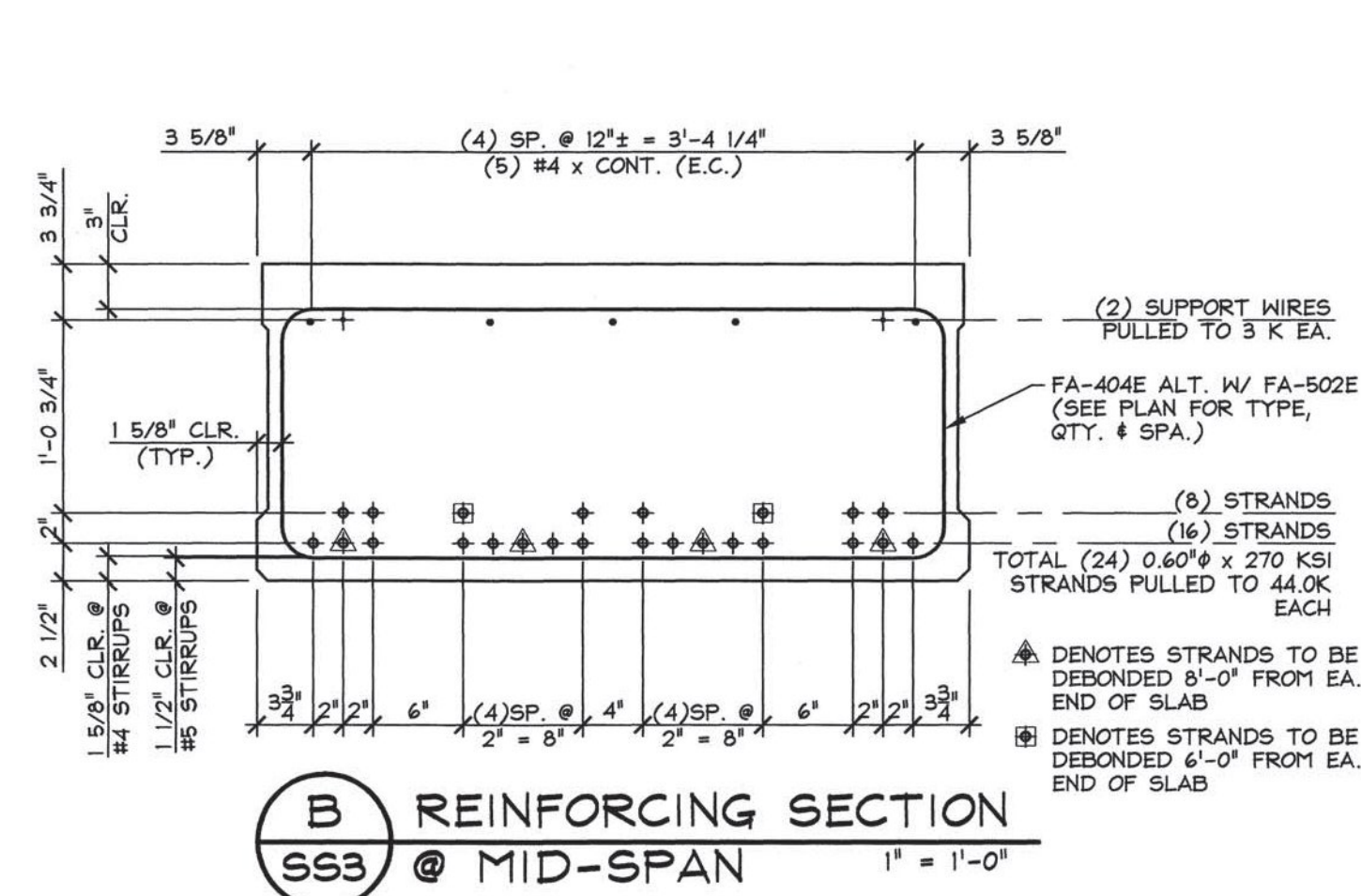
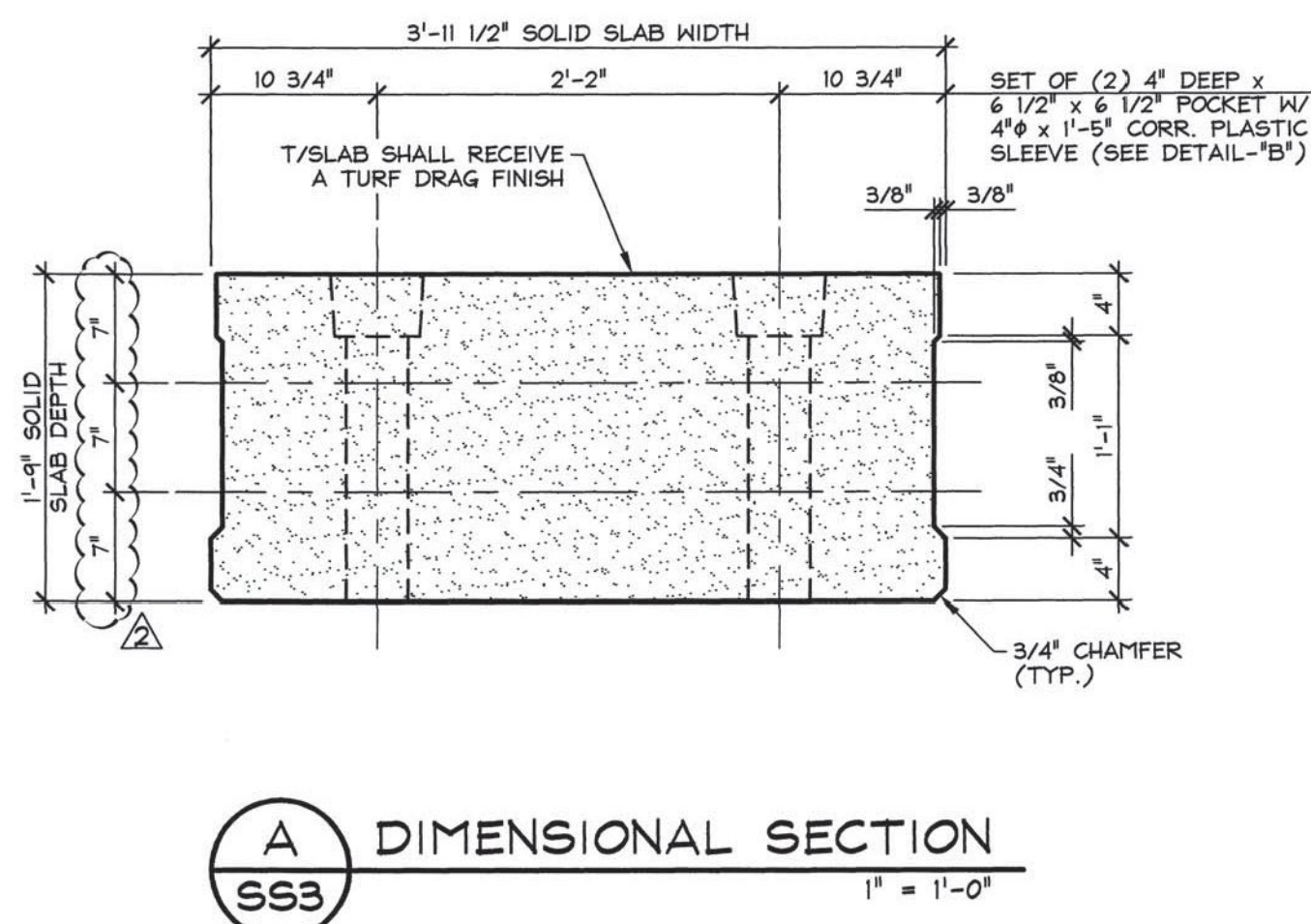
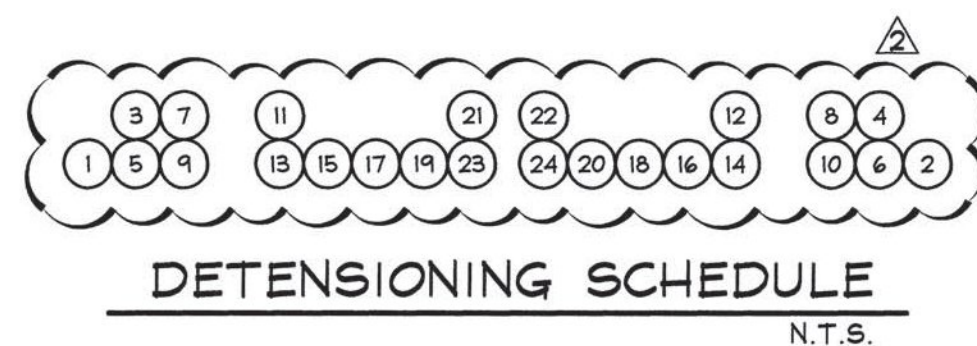
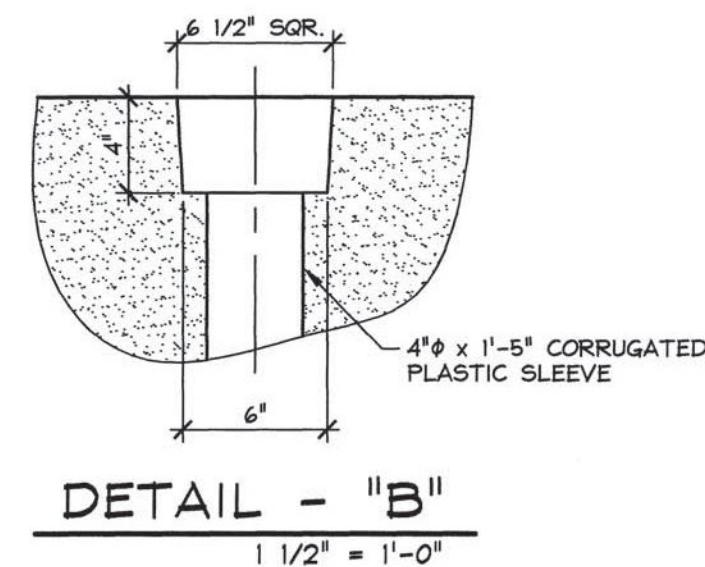
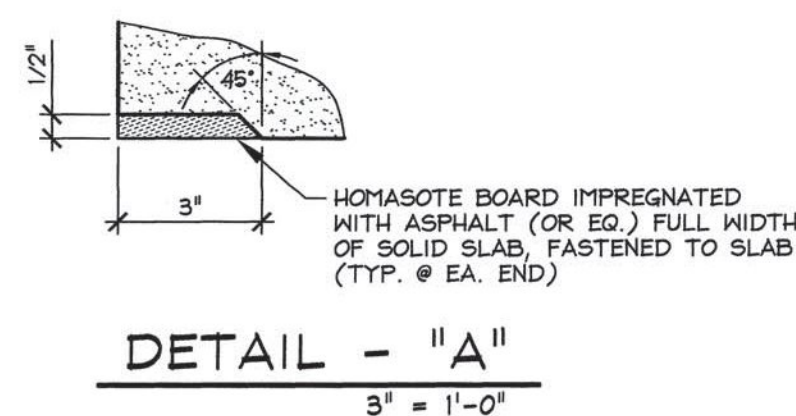


Note: MK-FA3 not shown for clarity. See Slab End Elevation detail this sheet for MK-FA3 placement.



Vermont Agency of Transportation
RECEIVED
 CK'D BY RK/JW OK'D BY RY
 February 12, 2015
 RESUBMIT No Approved AsNoted
 BY RY DATE 02/12/2015

MARK: FA-S53	QTY.: 2	WT.: 27.42 T	VOL.: 13.54 cy
MATERIAL LIST / SOLID SLAB			
ITEM	MARK	DESCRIPTION	QTY.
1	FA-404E	#4 BENT BAR (LEVEL I, EPOXY COATED)	66
2	FA-405E	#4 BENT BAR (LEVEL I, EPOXY COATED)	12
3	FA-406E	#4 BENT BAR (LEVEL I, EPOXY COATED)	8
4		#4 x 46'-2" (LEVEL I, EPOXY COATED)	5
5			
6	FA-502E	#5 BENT BAR (LEVEL I, EPOXY COATED)	54
7			
8	MK-FA3	ANCHOR BAR 3/4" THICK x 2 1/2" x 3'-8" (ASTM A36) W/ (3) #8 x 18'-0" # (6) #8 x 6'-0" (ASTM A-706) (GALV. ASSHTY.)	2
9		8T x 13 3/8" SWIFT LIFT LIFTERS (GALV.)	4
10		4" x 1'-5" CORRUGATED PLASTIC SLEEVE	8

APPROVAL STAMP:	J.P. CARRARA & SONS INC. Precast & Prestress Manufacturer 2464 GSE STR., MIDDLEBURY, VERMONT 05753 Phone:(802)388-6361 Fax:(802)388-9010	A.L. St. ONGE CONTRACTOR MONTOMERY, VERMONT
STATE OF VERMONT AGENCY OF TRANSPORTATION COUNTY OF FRANKLIN		DATE: NOV. 10, 2014 SCALE: NOTED
TOWN OF FAIRFIELD ELM BROOK ROAD, TOWN HIGHWAY 47 (CLASS 3) BRIDGE NO.: 46 PROJECT NO.: BRO 1448(41)		CHKD: B.C. DFTM: B.L. JOB NO: 23446-014
PRESTRESSED SOLID SLAB DETAILS		DWG. NO: S53